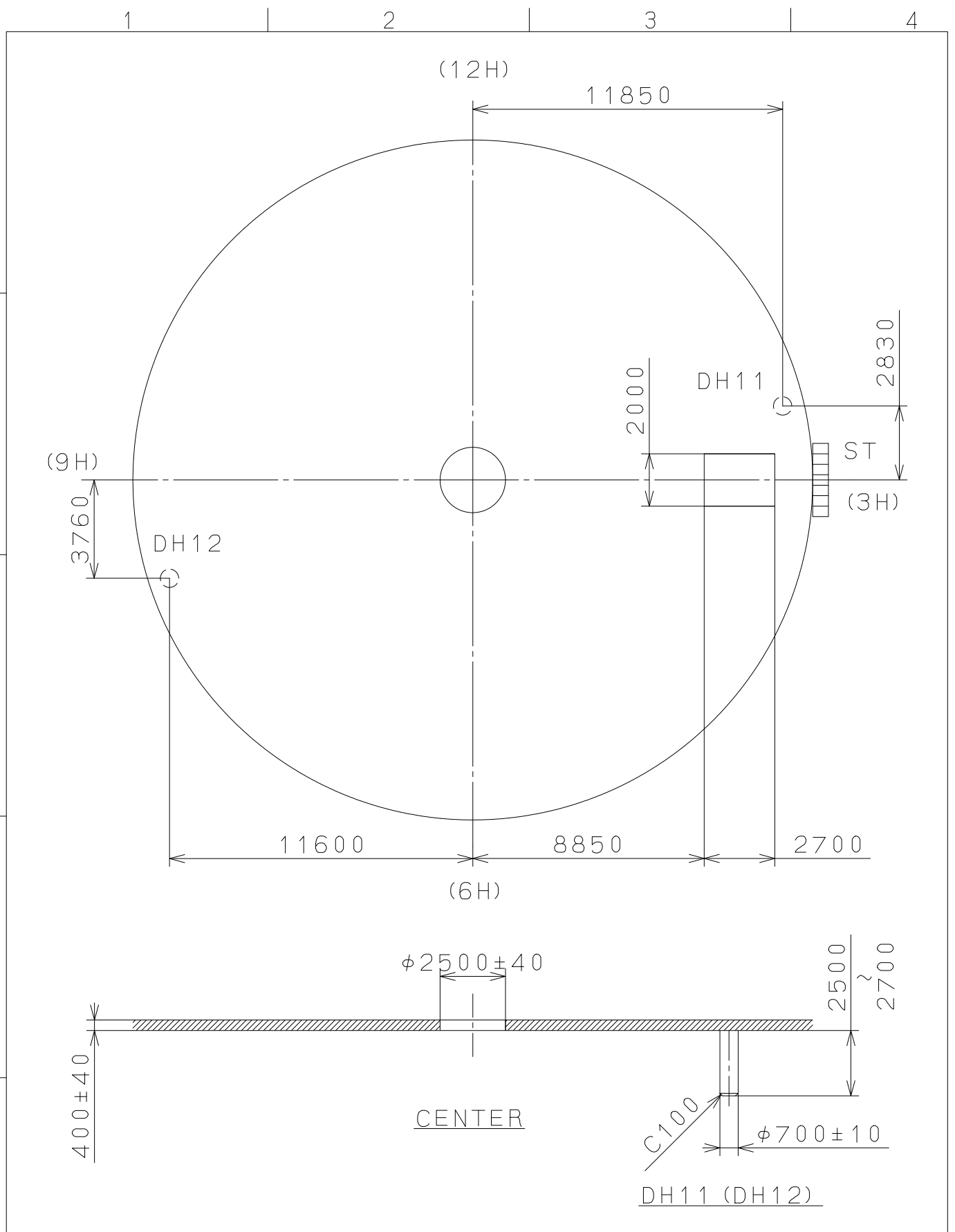




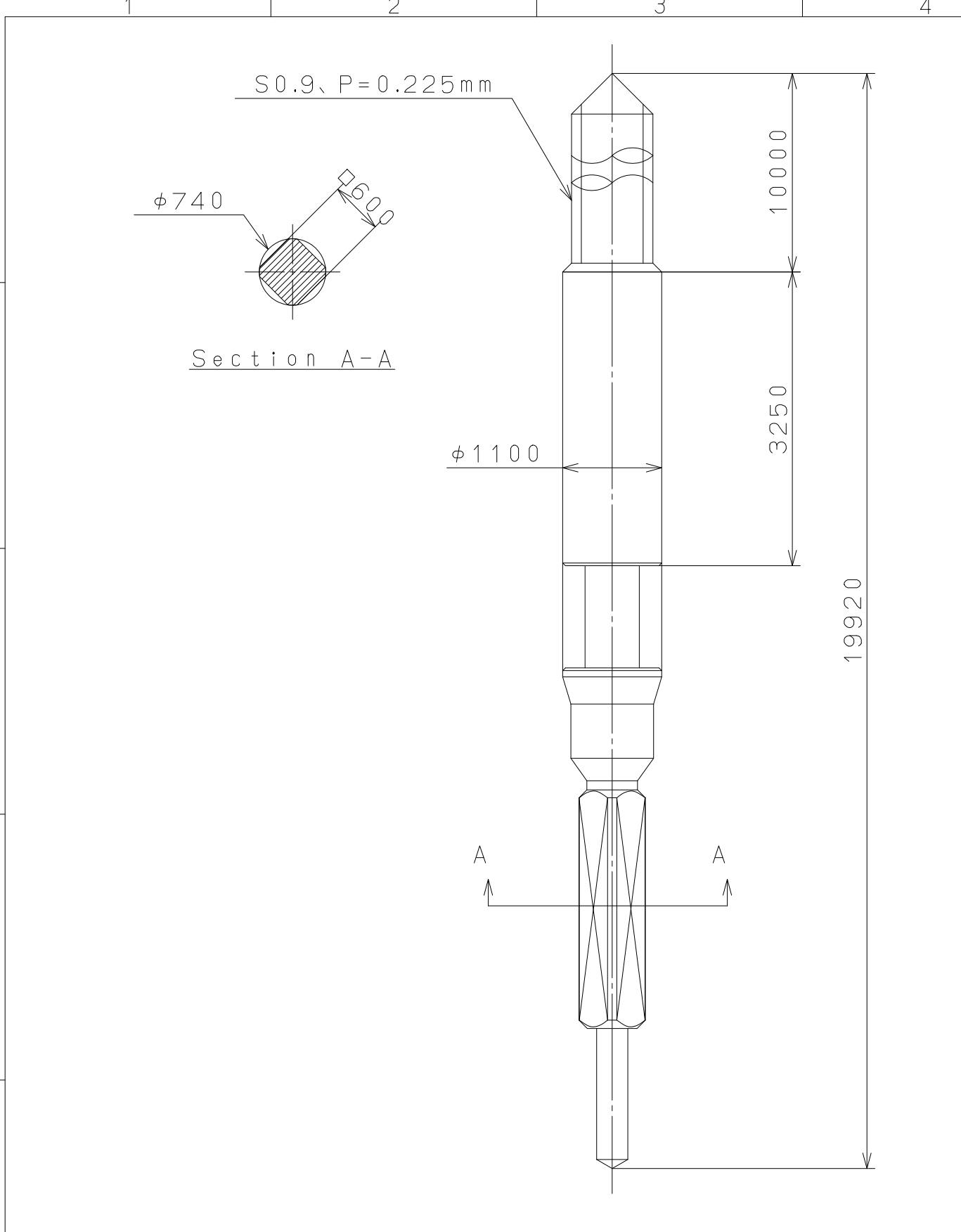
CONFIDENTIAL 2023/03/06 (14:57:11)

This drawing is provisional and subject to our reconfirmation and/or revision without notice.

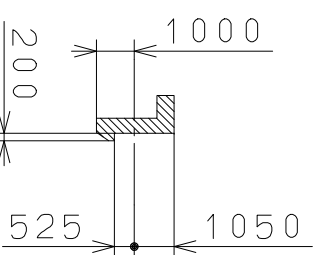
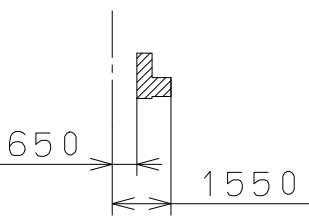
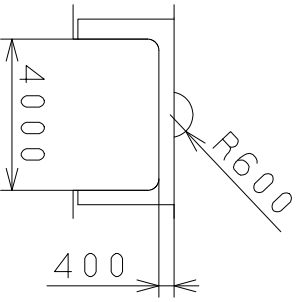
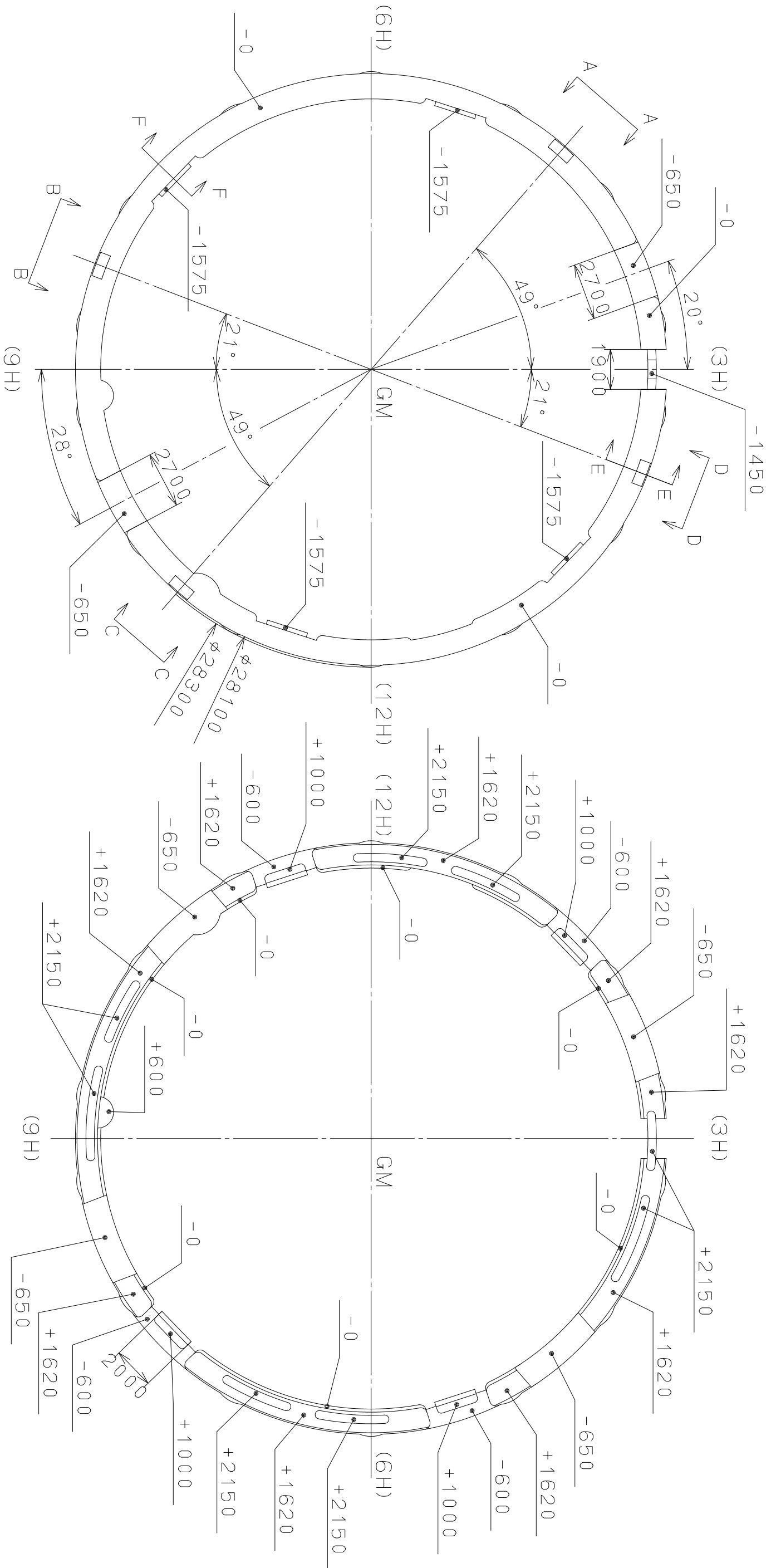


△			Quantity		Cal.NO.:
△			Unit	1/1000 <sub>mm</sub>	9075-20A
△			Scale	5 : 1	Parts No.:
△			Date		
△			Drawn		
Mark	Date	Description	Appr.	Checked	Name:
		Alterations	Approved	D. Yamada	
Material					Indications for Dial
Heat Treatment					Drawing No.:907500D0
Hardness					<b>MIYOTA</b>
Plating					

This drawing is provisional and subject to our reconfirmation and/or revision without notice.



△			Quantity		Cal.NO.:
△			Unit	1 / 1000 mm	
△			Scale	17 : 1	Parts No.:
△			Date		065-A05
△			Drawn		Name:
Mark	Date	Description	Appr.	Checked	D. Yamada
Alterations			Approved	SETTING STEM	
Material					Drawing No.: A05000S0
Heat Treatment	General Tolerances				<b>MIYOTA</b>
Hardness	Dimensions				
Plating	Angles				
					CITIZEN WATCH CO., LTD. TOKYO, JAPAN



View A-A, B-B, C-C, D-D

Section E-E

Section F-F

Material	Alterations	Date	Description	Appr.	Checked	Drawn	D. Yamada	Name:	Casing Holder
Heat Treatment									Drawing No.: 907500E0
Hardness									
Plating									
Quantity	Unit	Scale	Parts No.:	Cal. NO.:					
1	1/1000 mm	5:1	500-0000M-01						
<p style="text-align: center;"><b>MIYOTA</b> CITIZEN WATCH CO., LTD. TOKYO, JAPAN</p>									