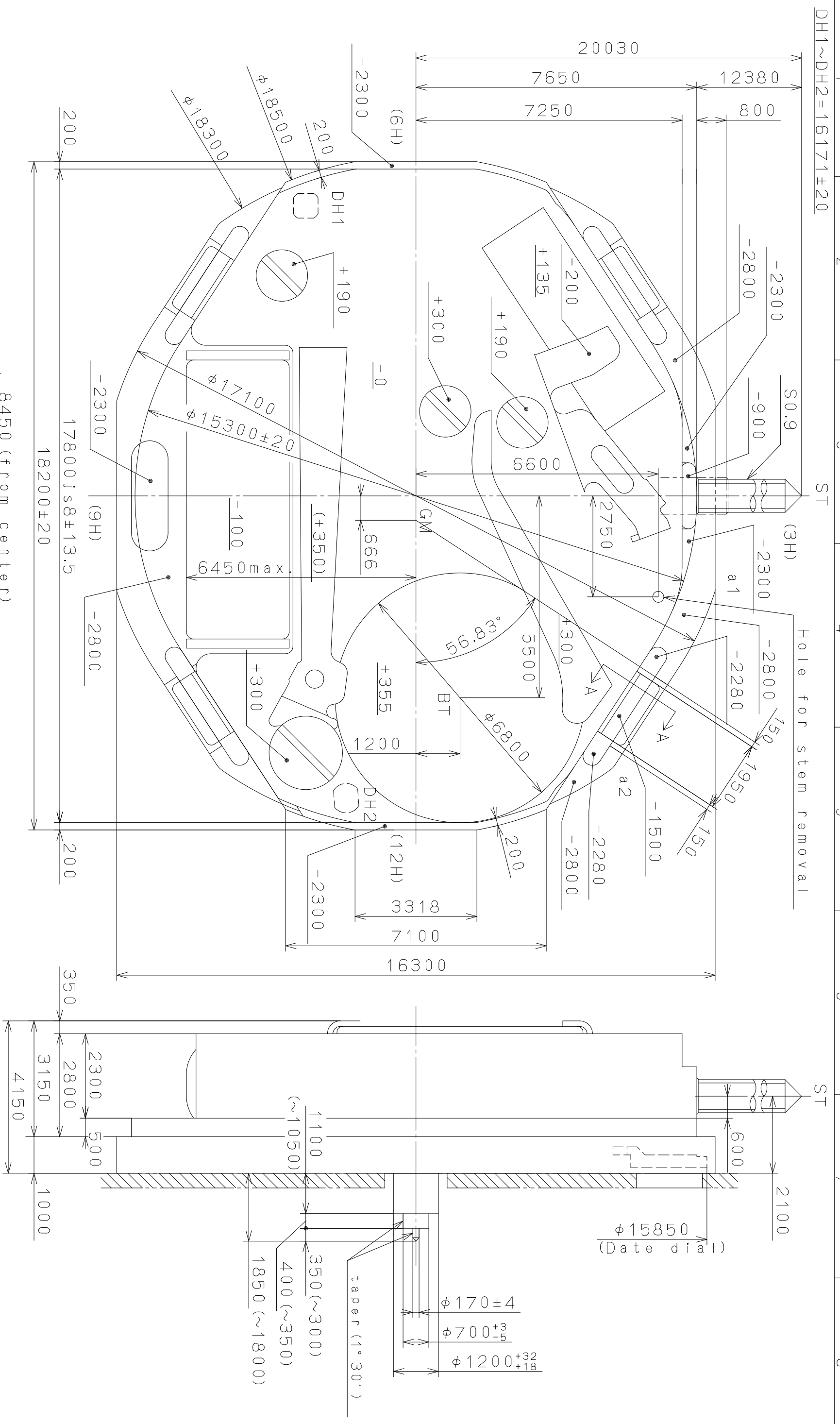
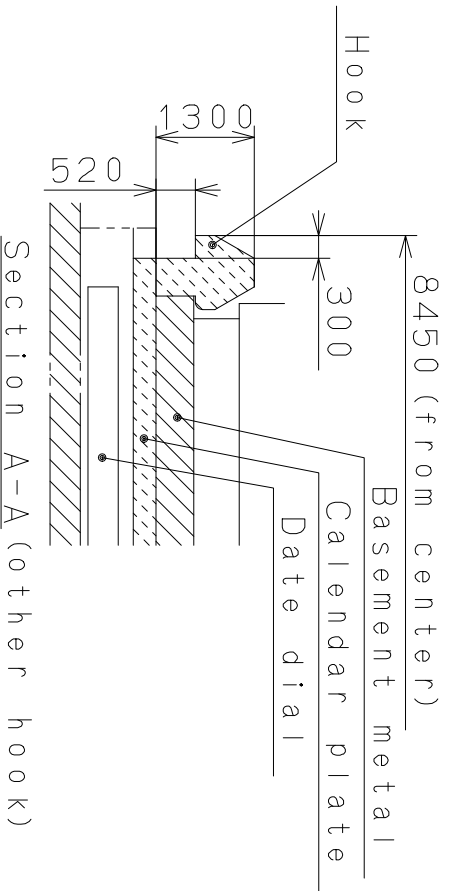


This drawing is provisional and subject to our reconfirmation and/or revision without notice.



Coordinates			
Mark	X	Y	R
GM	0	0	—
DH1	-7900	-3000	—
DH2	8234	-1900	—
a1	2553	7950	200
a2	7059	5000	500



Quantity	Unit	Cal. NO.:
1	1/1000 mm	2015
Scale	10:1	Parts No.:
Date	Drawn	Name:
Date	Checked	D. Yamada
Date	Approved	Frame for Case
Material		
Heat Treatment		
Hardness		
Plating		
General Tolerances		
Dimensions		
Angles		

Alterations

Material

Heat Treatment

Hardness

Plating

General Tolerances

Dimensions

Angles

Cal. NO.: 2015

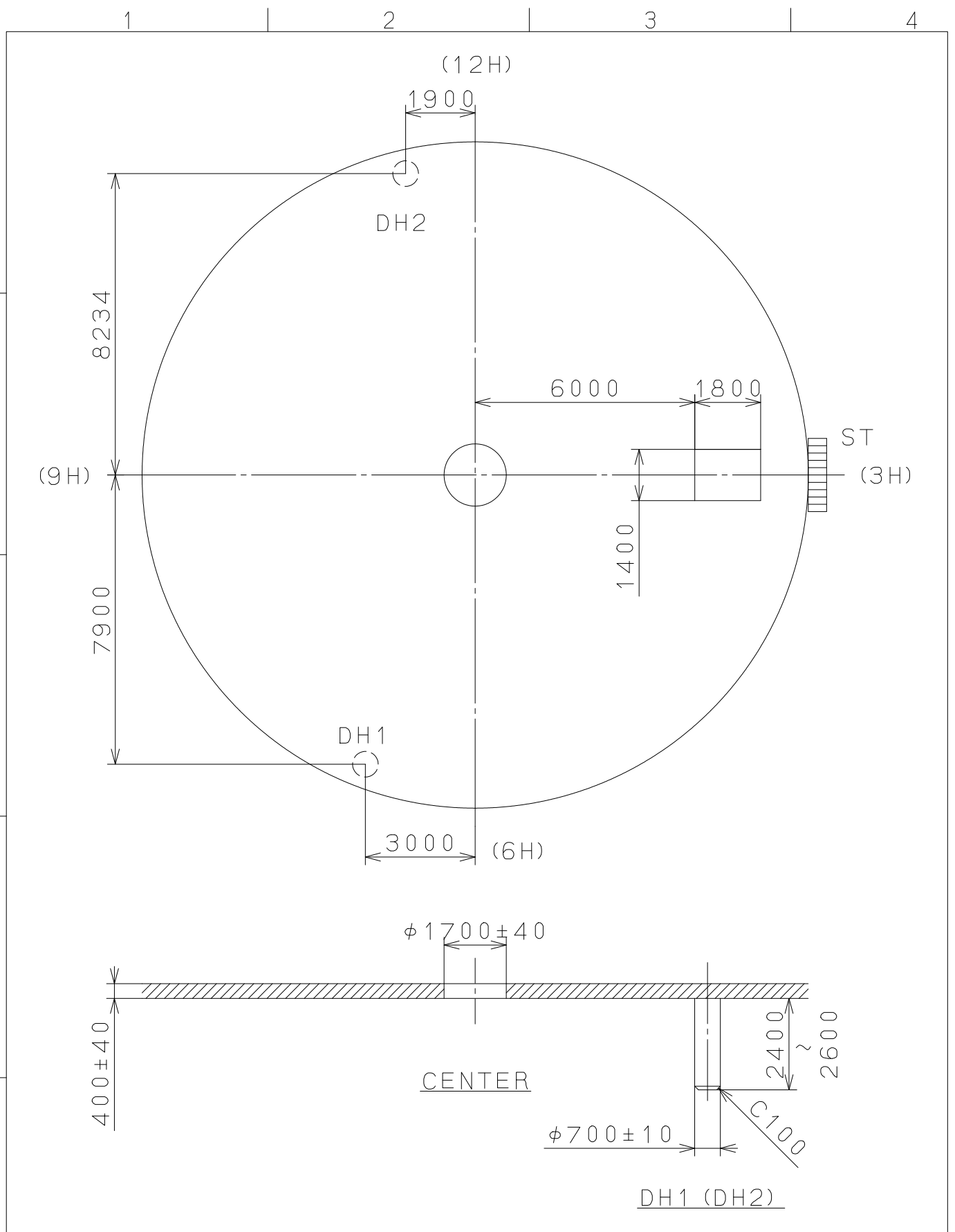
Parts No.:

Name: Frame for Case

Drawing No.: 201500C0

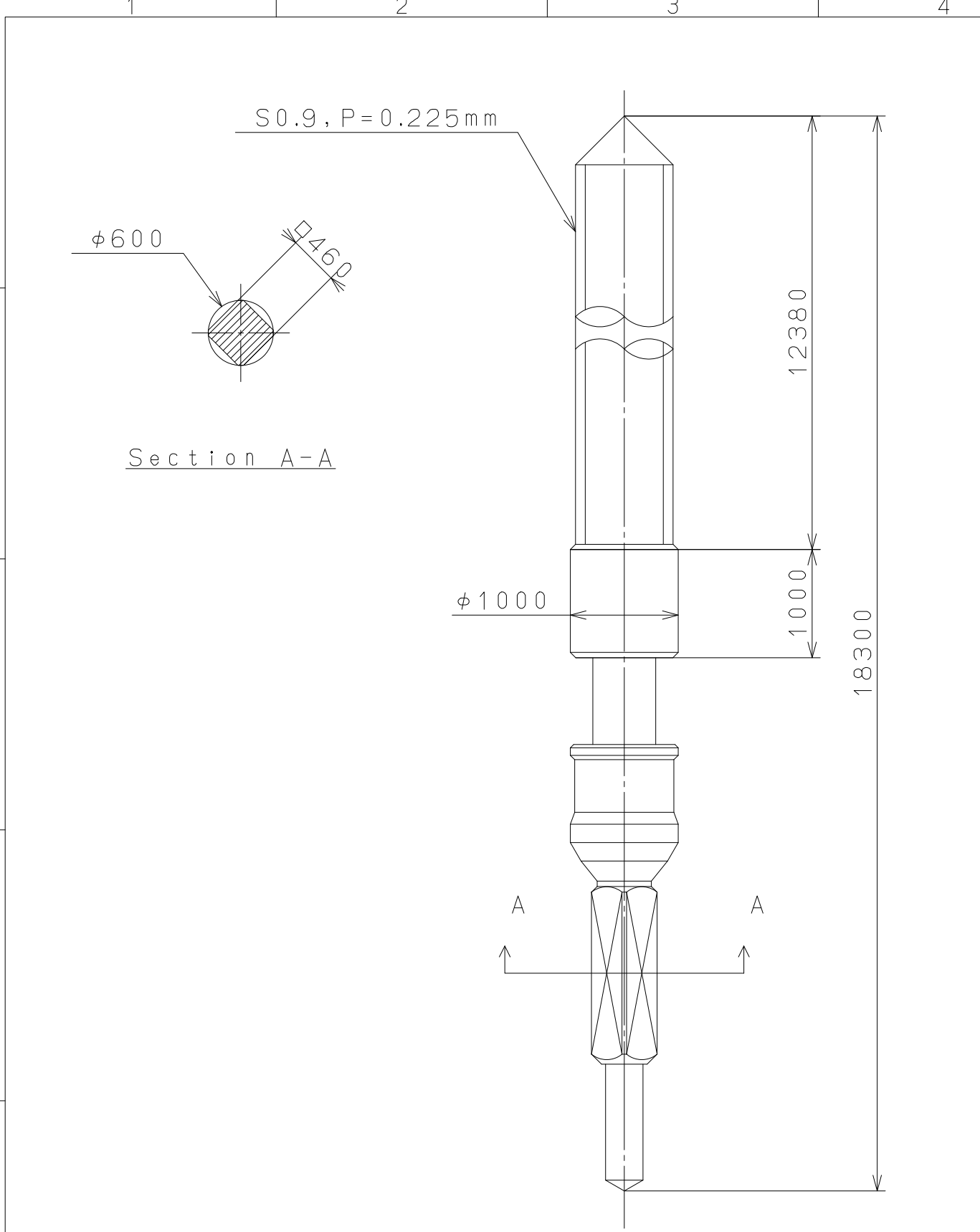
**MIYOTA**  
CITIZEN WATCH CO., LTD. TOKYO, JAPAN

This drawing is provisional and subject to our reconfirmation and/or revision without notice.



△			Quantity		Cal.NO.:
△			Unit	1 / 1000 mm	2015-10A
△			Scale	7 : 1	Parts No.:
△			Date		
△			Drawn		
Mark	Date	Description	Appr.	Checked	Name:
		Alterations		Approved	D. Yamada
Material					Indications for Dial
Heat Treatment					Drawing No.: 201500D0
Hardness				General Tolerances	<b>MIYOTA</b>
Plating				Dimensions	
				Angles	CITIZEN WATCH CO., LTD. TOKYO, JAPAN

This drawing is provisional and subject to our reconfirmation and/or revision without notice.



△5			Quantity		Cal.NO.:
△4			Unit	1 / 1000 mm	
△3			Scale	20 : 1	Parts No.:
△2			Date		065-299
△1			Drawn		
Mark	Date	Description	Appr.	Checked	D. Yamada
Alterations			Approved	Name:	
			SETTING STEM		
Material					Drawing No.: 299000S0
Heat Treatment					<b>MIYOTA</b> CITIZEN WATCH CO., LTD. TOKYO, JAPAN
Hardness					
Plating					