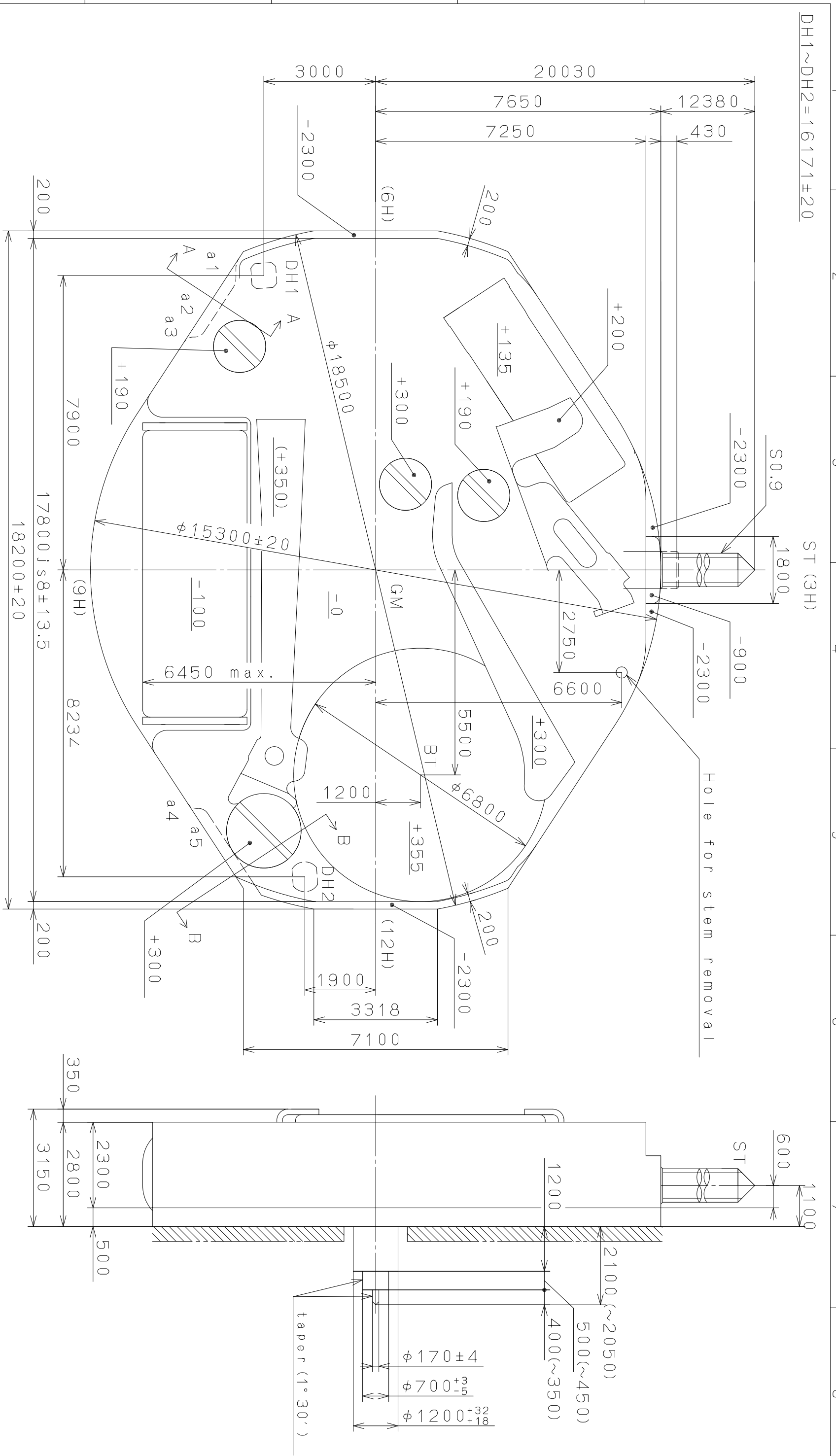


This drawing is provisional and subject to our reconfirmation and/or revision without notice.

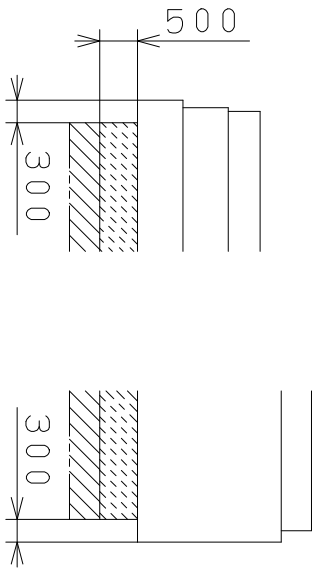


DH1~DH2=16171±20

ST (3H)

Coordinates

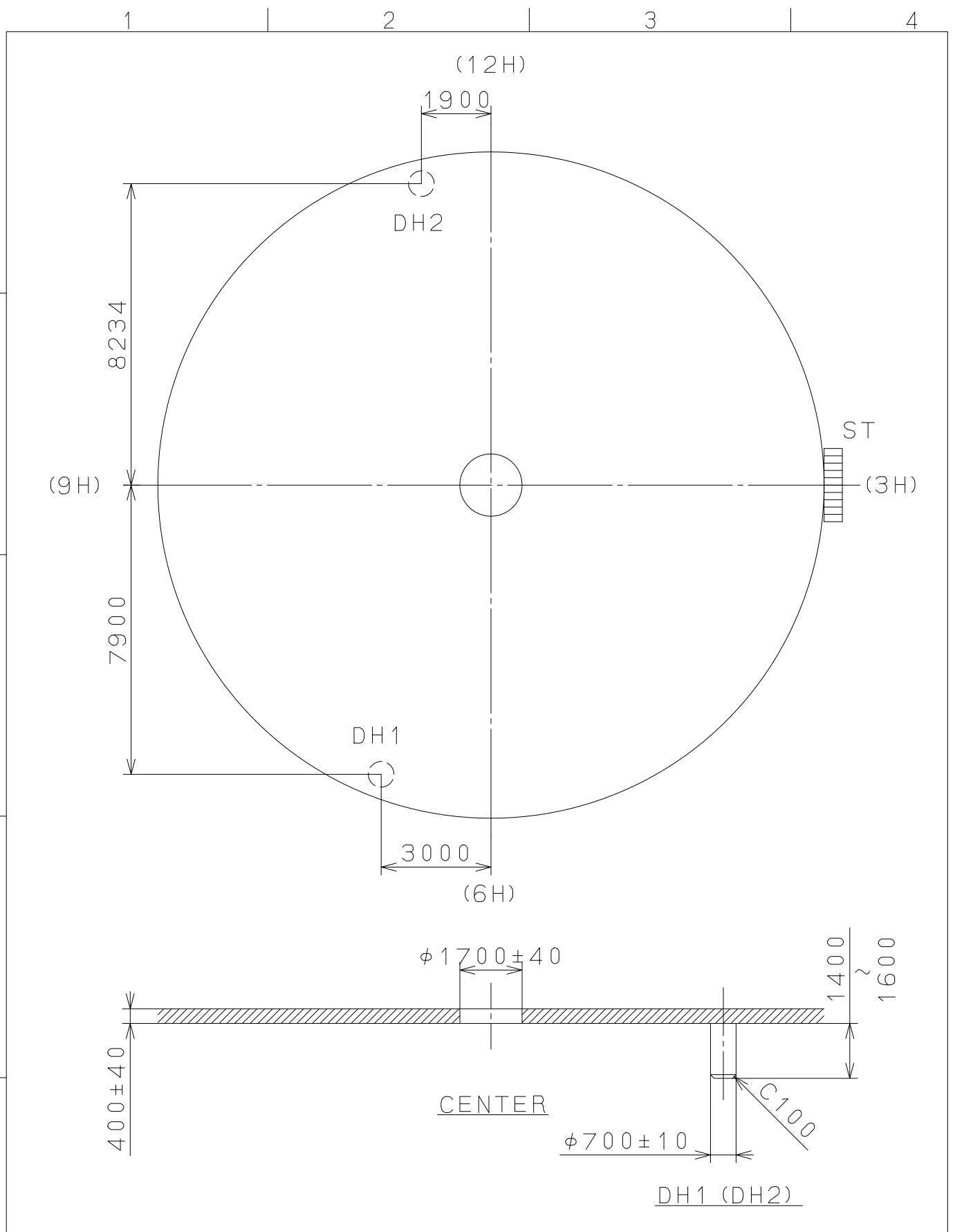
Mark	X	Y	R
GM	0	0	—
a1	-7838	-4250	500
a2	-6550	-4855	300
a3	-5951	-4888	300
a4	6101	-4790	300
a5	6700	-4756	300



Section A-A Section B-B

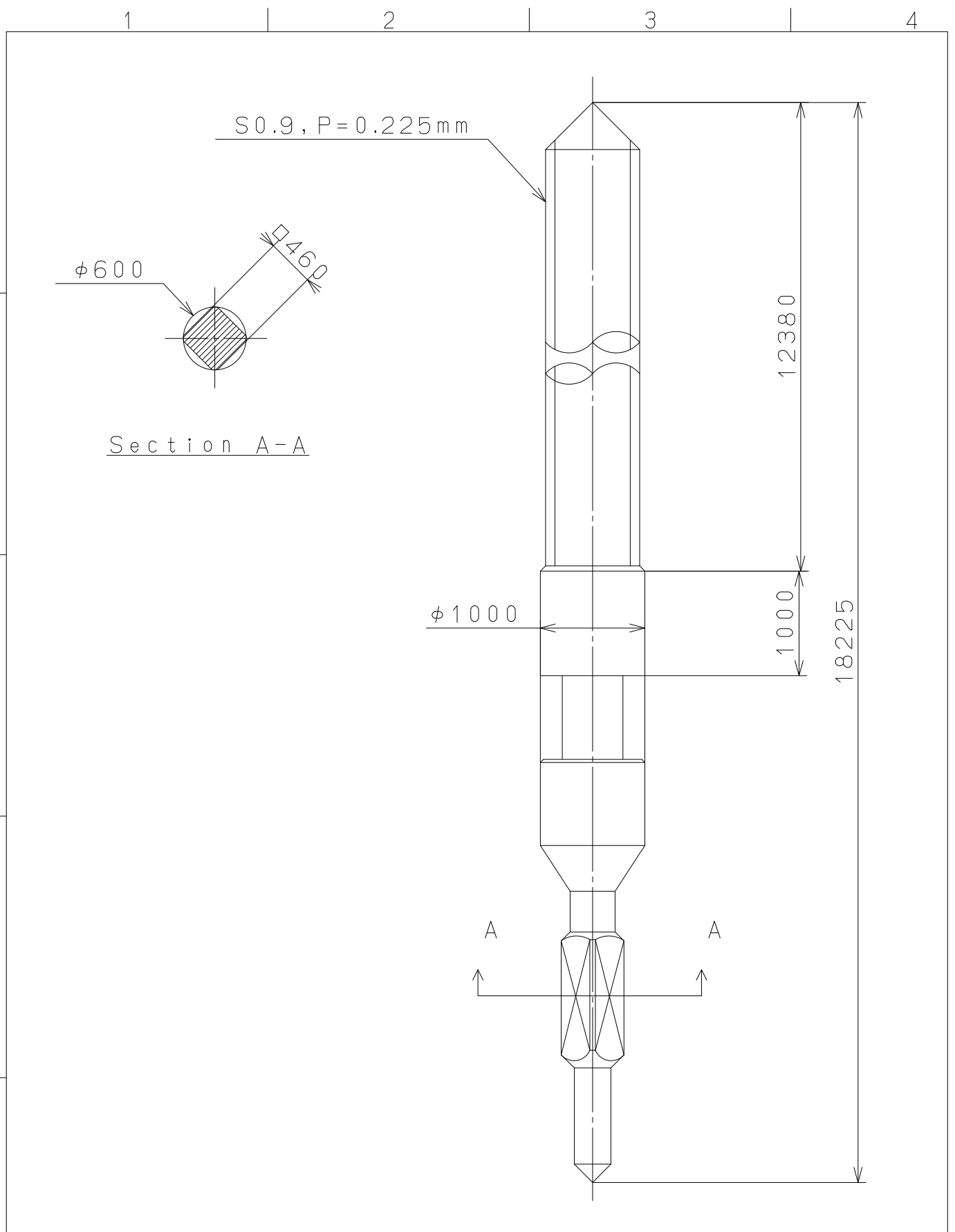
Quantity	Unit	1/1000 mm	Cal. NO.:	2036
Scale	10:1		Parts No.:	
Date	Drawn		Name:	Frame for Case
Date	Checked		Drawing No.:	203600C0
Date	Approved			
Material		General Tolerances	<b>MIYOTA</b> CITIZEN WATCH CO., LTD. TOKYO, JAPAN	
Heat Treatment		Dimensions		
Hardness		Angles		
Plating				

This drawing is provisional and subject to our reconfirmation and/or revision without notice.



△			Quantity		Cal.NO.:
△			Unit	1 / 1000 mm	2036-00B
△			Scale	7 : 1	Parts No.:
△			Date		
△			Drawn		
Mark	Date	Description	Appr.	Checked	Name:
		Alterations		Approved	D. Yamada
Material					Indications for Dial
Heat Treatment					Drawing No.: 203600D0
Hardness					<b>MIYOTA</b>
Plating					
				General Tolerances	CITIZEN WATCH CO., LTD. TOKYO, JAPAN
				Dimensions	
				Angles	

This drawing is provisional and subject to our reconfirmation and/or revision without notice.



△5			Quantity		Cal.NO.:
△4			Unit	1 / 1000 mm	
△3			Scale	20 : 1	Parts No.:
△2			Date		065-468
△1			Drawn		
Mark	Date	Description	Appr.	Checked	D. Yamada
Alterations			Approved	Name:	
			SETTING STEM		
Material					Drawing No.: 468000S0
Heat Treatment					<b>MIYOTA</b> CITIZEN WATCH CO., LTD. TOKYO, JAPAN
Hardness					
Plating					