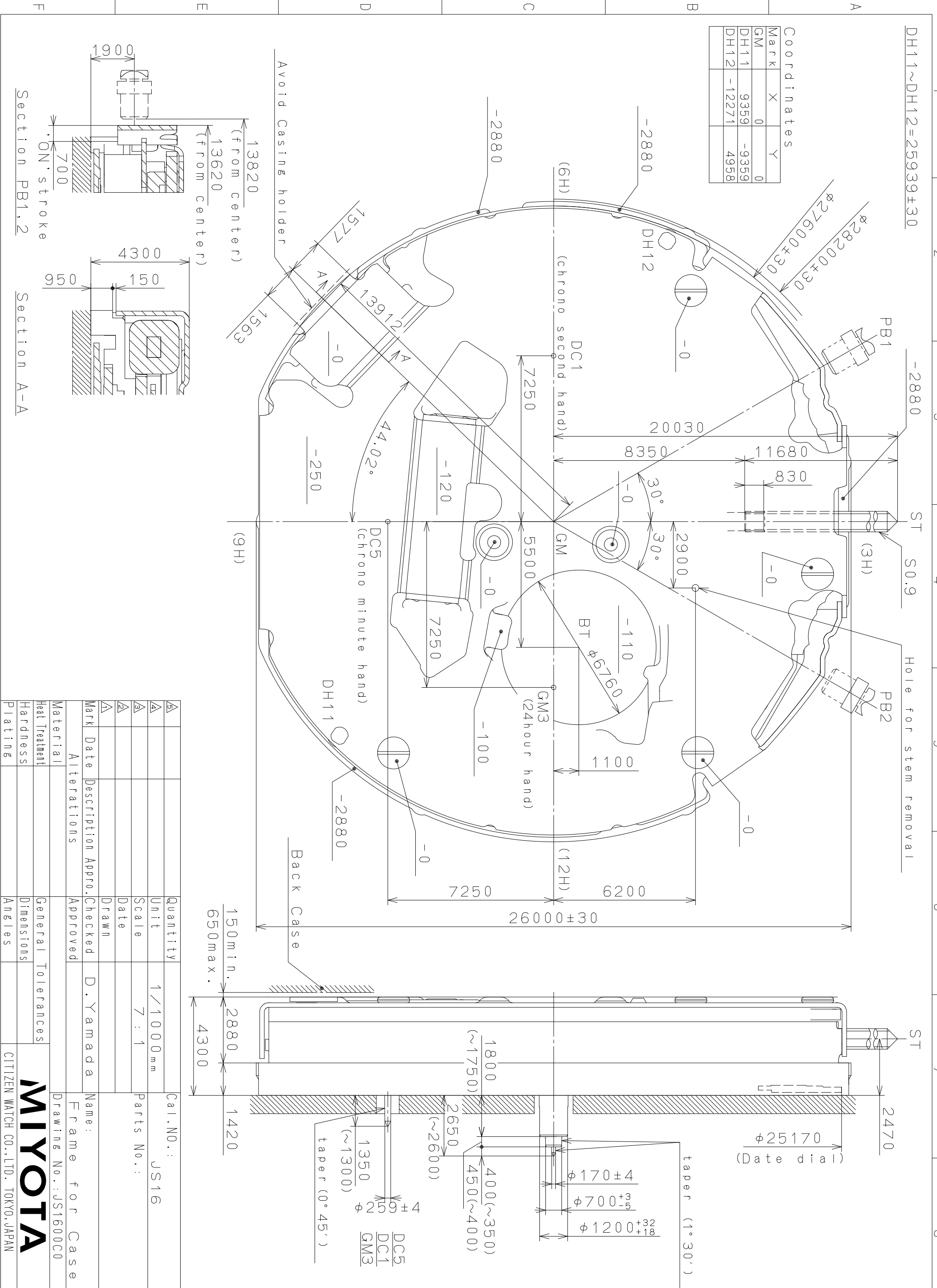


This drawing is provisional and subject to our reconfirmation and/or revision without notice.



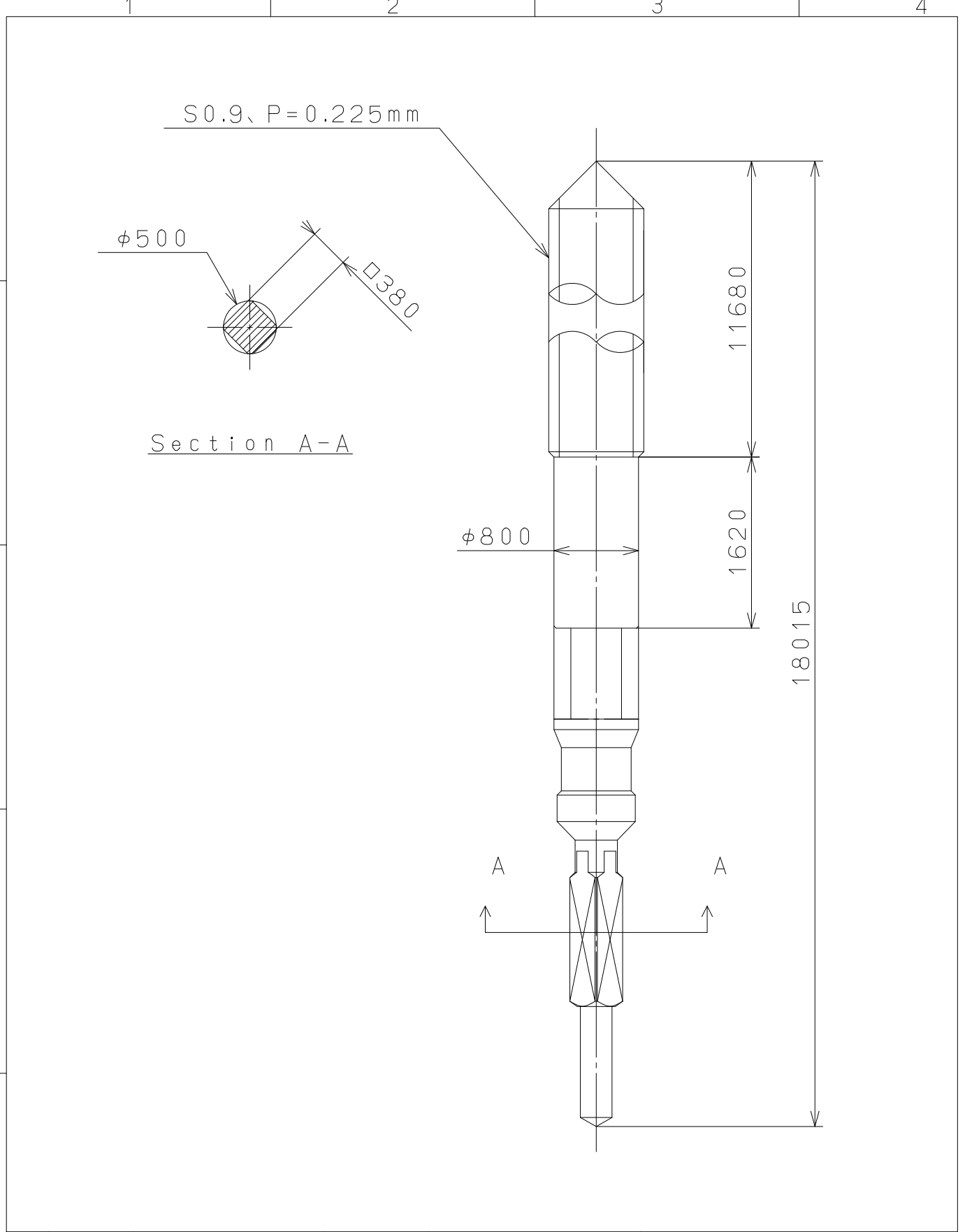
Coordinates		
Mark	X	Y
GM	0	0
DH11	9359	-9359
DH12	-12271	4958

Section PB1,2

Section A-A

Material	Alterations	Quantity	Unit	Cal. NO.:
Heat Treatment	Date	1	1/1000 mm	JS16
Hardness	Description	Scale	7 : 1	Parts No.:
Plating	Appro.	Checked	Drawn	Name:
	Approved	D. Yamada		Frame for Case
		Drawing No.: JS1600C0		
General Tolerances		Miyota		
Dimensions		CITIZEN WATCH CO., LTD. TOKYO, JAPAN		
Angles				

This drawing is provisional and subject to our reconfirmation and/or revision without notice.



⑤			Quantity		Cal.NO.:
④			Unit	1 / 1000 mm	
③			Scale	20 : 1	Parts No.:
②			Date		065-505
①			Drawn		
Mark	Date	Description	Appro.	Checked	D. Yamada
Alterations			Approved	Name: SETTING STEM	
Material					Drawing No.: 505000S0
Heat Treatment					MIYOTA
Hardness					
Plating					
					CITIZEN WATCH CO., LTD. TOKYO, JAPAN