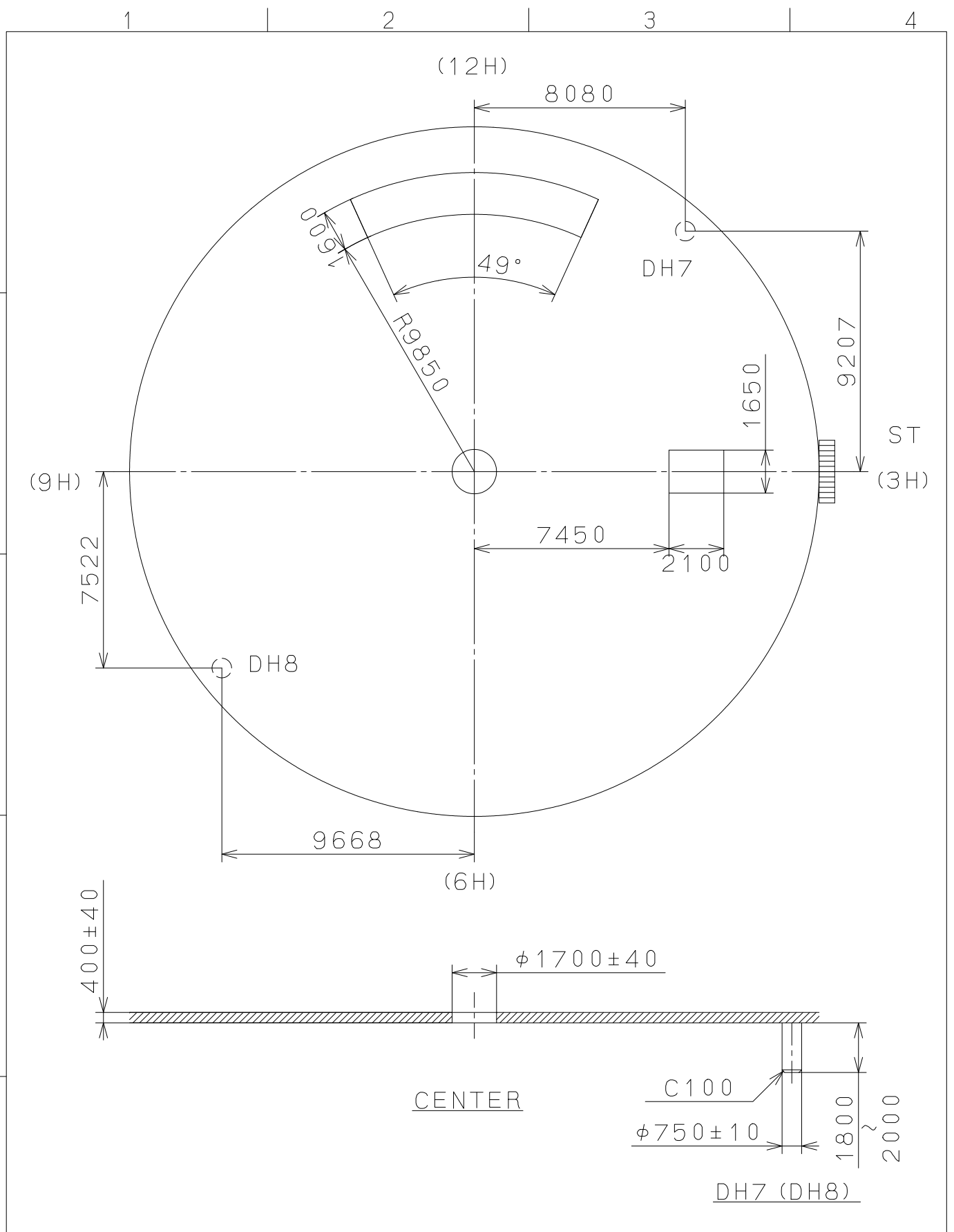


CONFIDENTIAL 2023/03/27 (11:13:49)

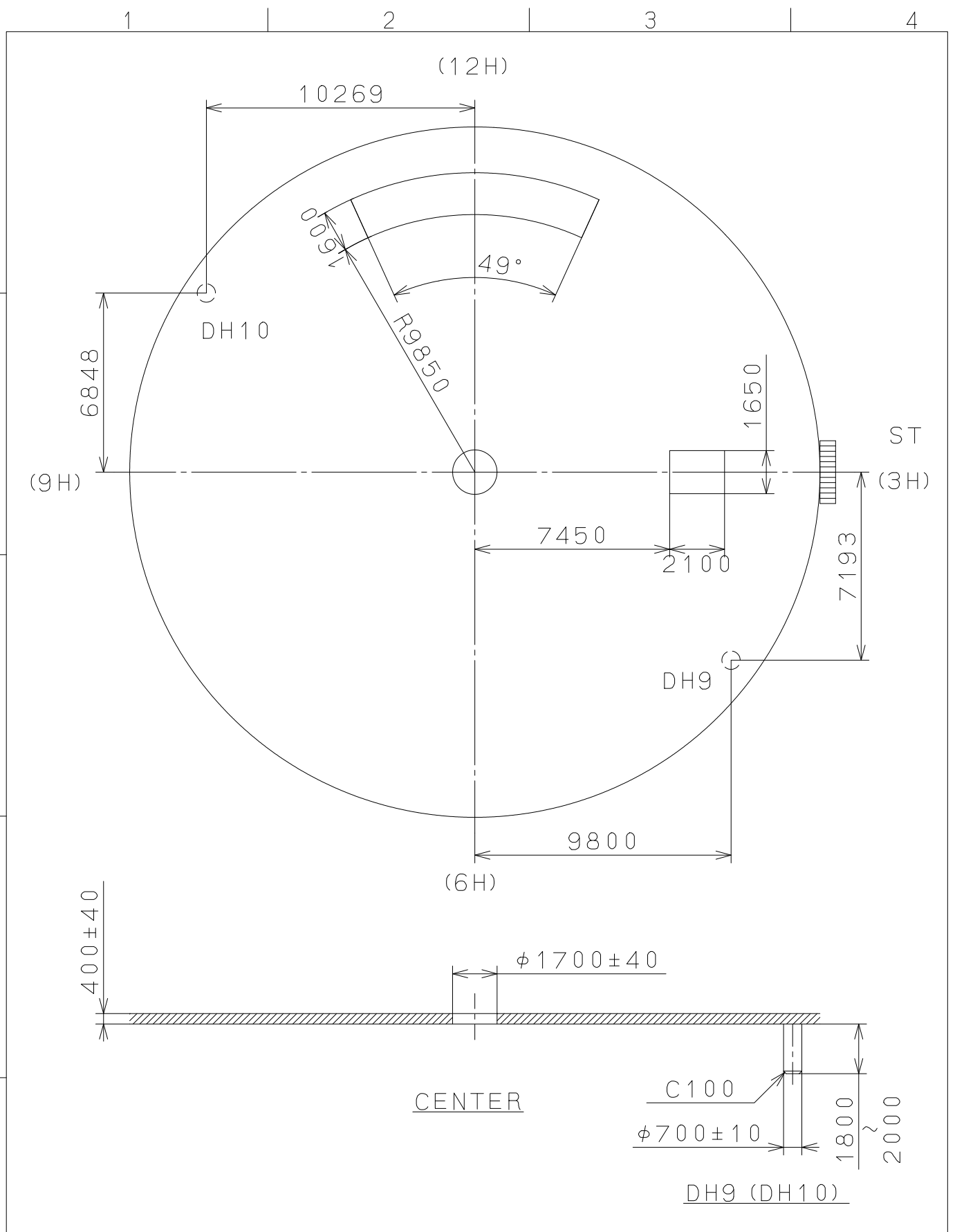
This drawing is provisional and subject to our reconfirmation and/or revision without notice.



△			Quantity		Cal.NO.:
△			Unit	1 / 1000 mm	2350-20A
△			Scale	5 : 1	Parts No.:
△			Date		
△			Drawn		
Mark	Date	Description	Appro.	Checked	Name:
		Alterations	Approved	D. Yamada	Indications for Dial
Material					Drawing No.: 235000D0
Heat Treatment			General	Tolerances	<b>MIYOTA</b>
Hardness			Dimensions		
Plating			Angles		
					CITIZEN WATCH CO., LTD. TOKYO, JAPAN

CONFIDENTIAL 2023/03/27 (11:14:22)

This drawing is provisional and subject to our reconfirmation and/or revision without notice.



△			Quantity		Cal.NO.:	
△			Unit	1 / 1000 mm		2350-20A
△			Scale	5 : 1	Parts No.:	
△			Date			
△			Drawn			
Mark	Date	Description	Appro.	Checked	D. Yamada	Name:
Alterations			Approved			Indications for Dial
Material						Drawing No.: 235001D0
Heat Treatment						<b>MIYOTA</b>
Hardness						
Plating						
						CITIZEN WATCH CO., LTD. TOKYO, JAPAN