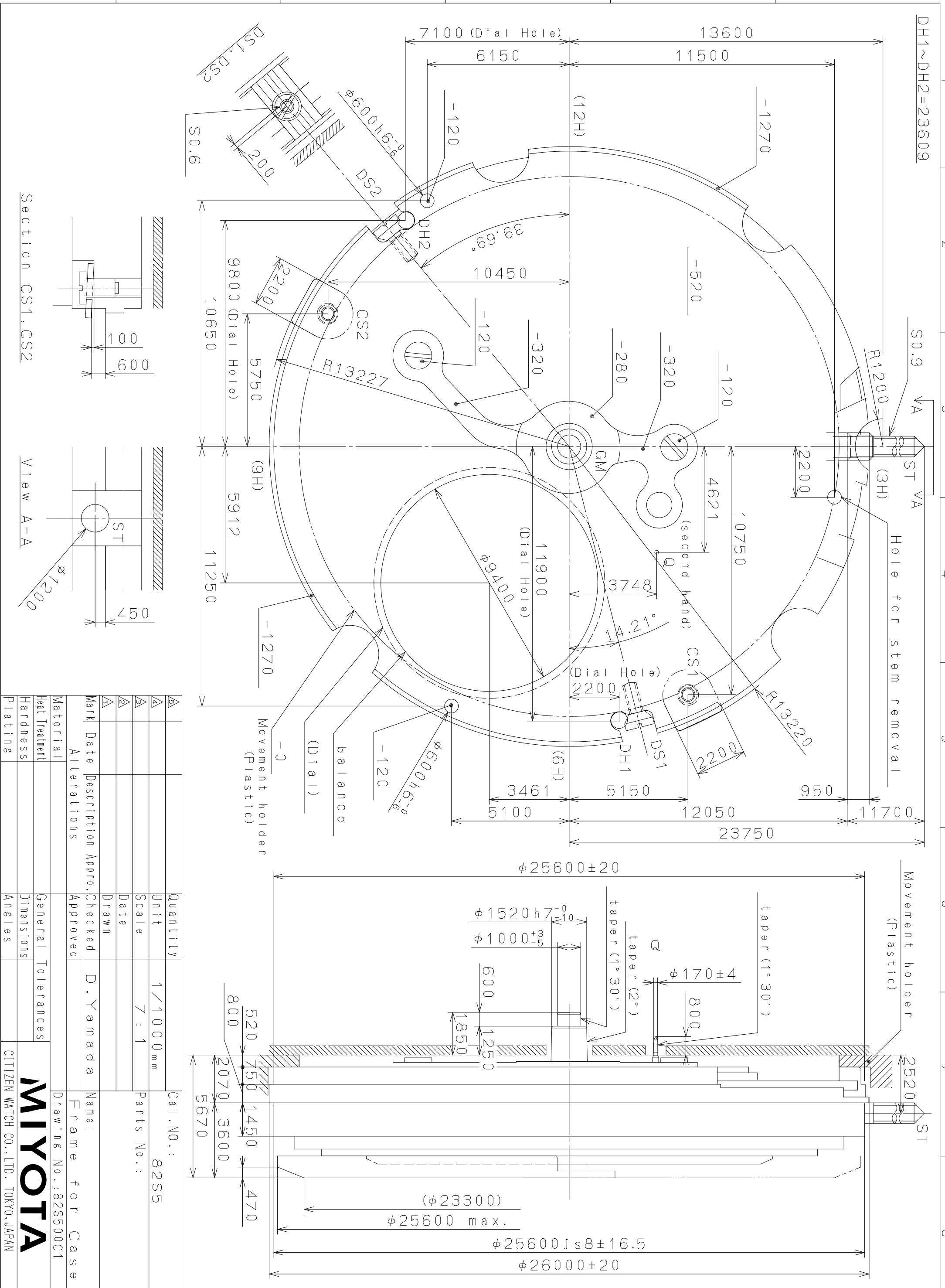


This drawing is provisional and subject to our reconfirmation and/or revision without notice.



Section CS1, CS2

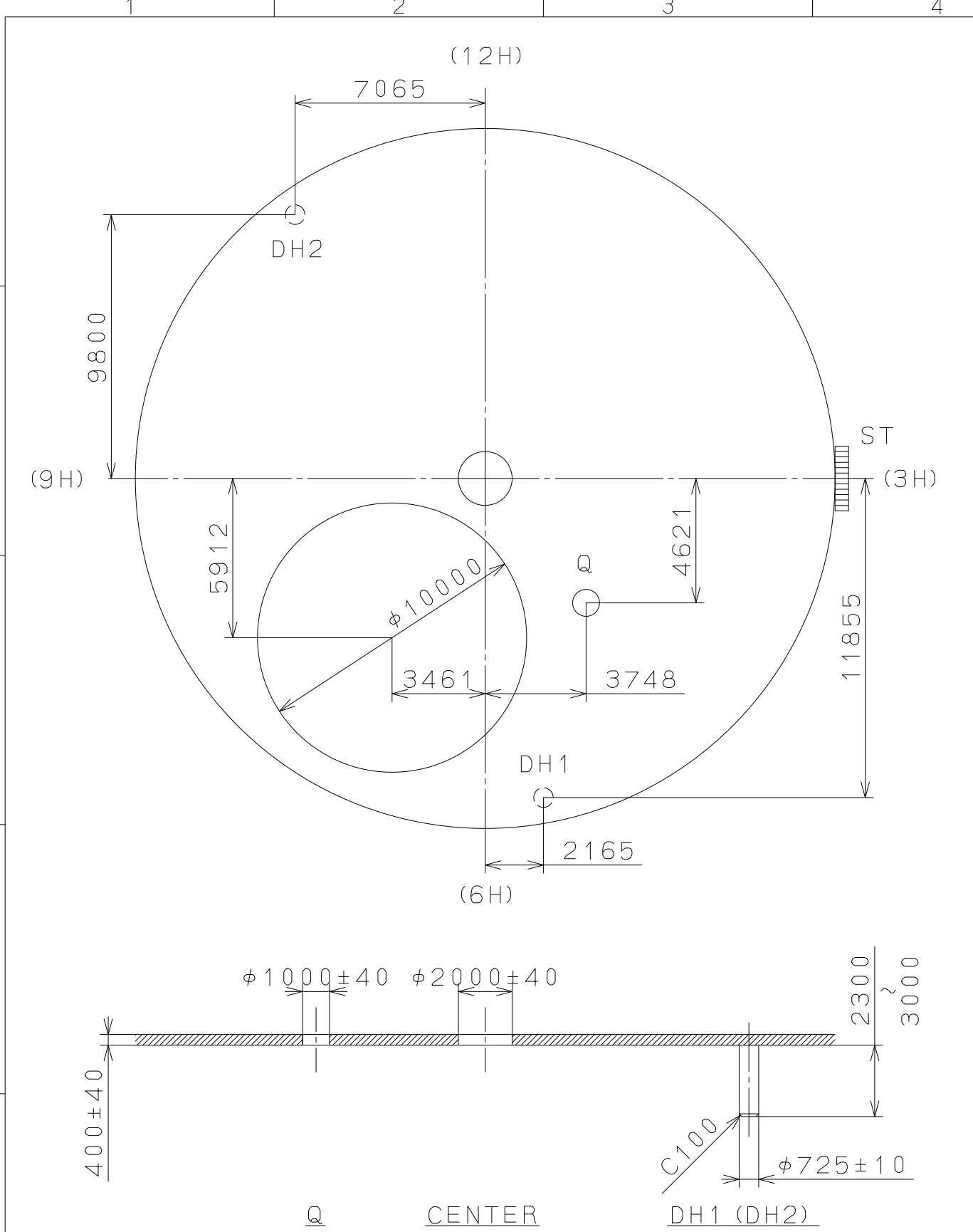
View A-A

Material	Alterations	Quantity	Unit	Cal. NO.:
Heat Treatment	Date	1	1/1000 mm	82SS5
Hardness	Description	Scale	Date	7 : 1
Plating	Checked	Drawn	Approved	Parts No.:
	Approved	D. Yamada	Name:	Frame for Case
			Drawing No.:	82SS500C1
			General Tolerances	
			Dimensions	
			Angles	

**MIYOTA**

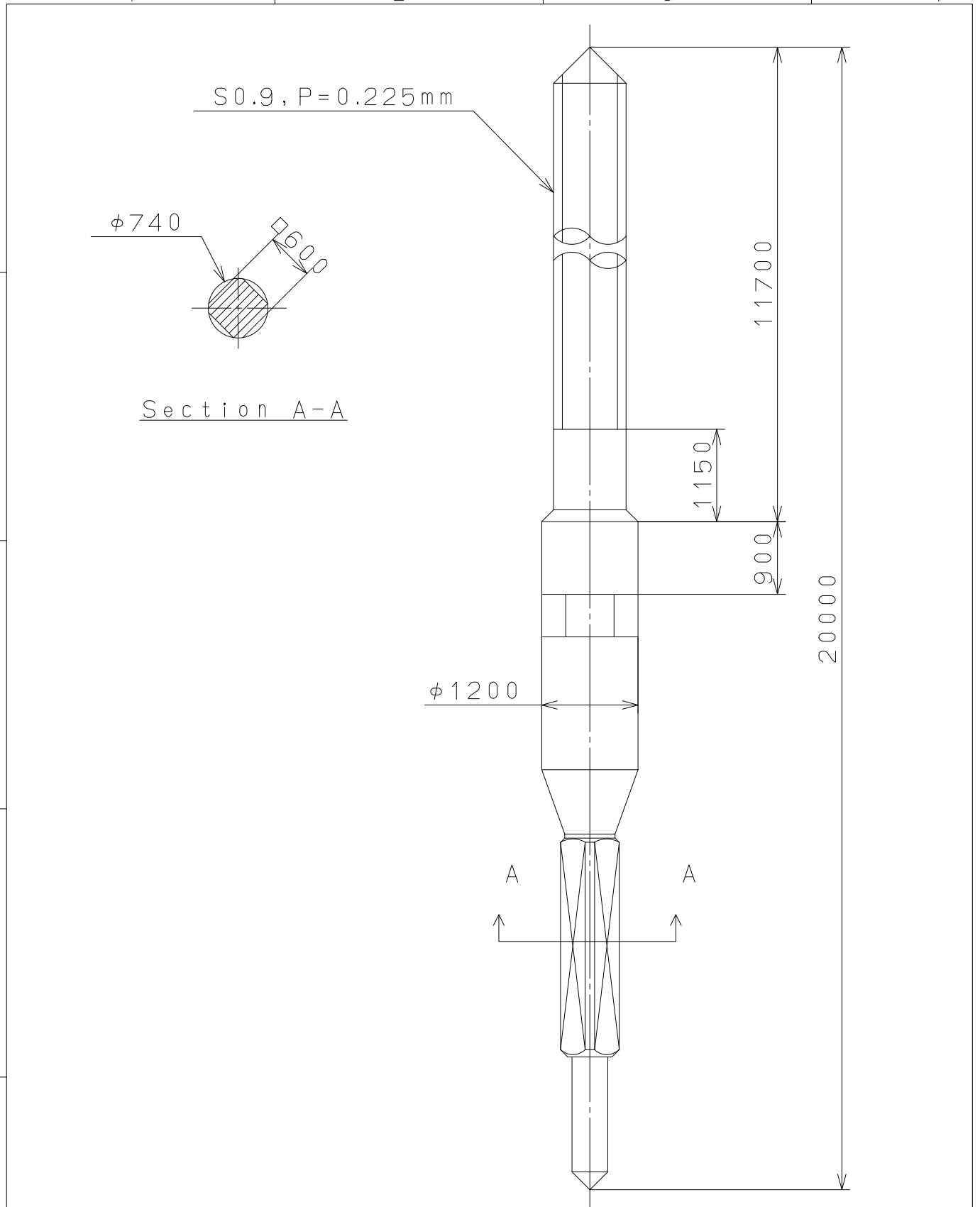
CITIZEN WATCH CO., LTD. TOKYO, JAPAN

This drawing is provisional and subject to our reconfirmation and/or revision without notice.



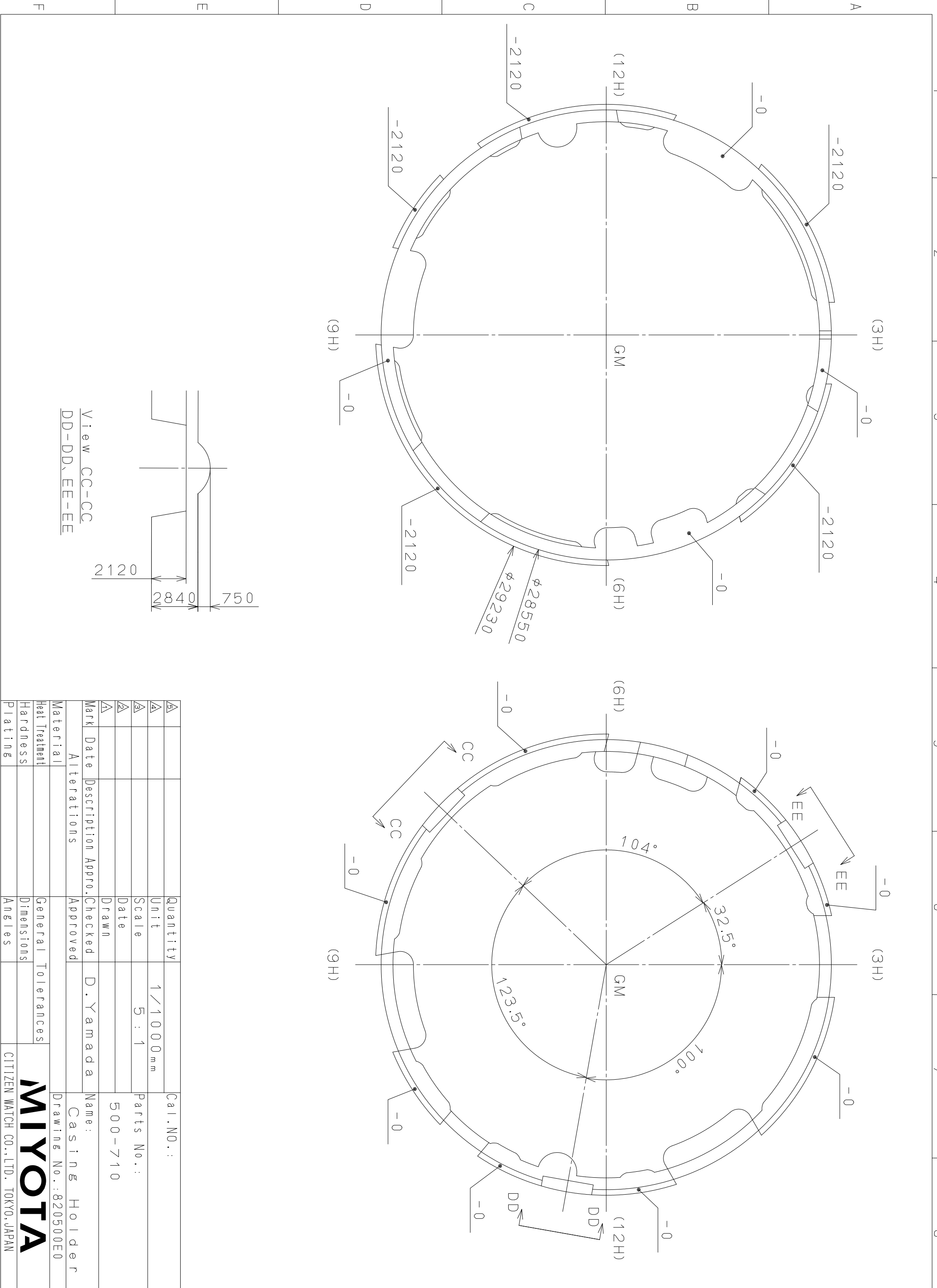
△			Quantity		Cal.NO.:
△			Unit	1 / 1000 mm	82S5-43G
△			Scale	5 : 1	Parts No.:
△			Date		
△			Drawn		
Mark	Date	Description	Appr.	Checked	Name:
		Alterations	Approved	D. Yamada	Indications for Dial
Material					Drawing No.: 82S501D0
Heat Treatment			General Tolerances		<b>MIYOTA</b>
Hardness			Dimensions		
Plating			Angles		
					CITIZEN WATCH CO., LTD. TOKYO, JAPAN

This drawing is provisional and subject to our reconfirmation and/or revision without notice.



△5			Quantity		Cal.NO.:
△4			Unit	1/1000mm	
△3			Scale	15:1	Parts No.:
△2			Date		065-212
△1			Drawn		Name:
Mark	Date	Description	Appr.	Checked	D. Yamada
Alterations			Approved	SETTING STEM	
Material					Drawing No.: 212000S0
Heat Treatment					<b>MIYOTA</b> CITIZEN WATCH CO., LTD. TOKYO, JAPAN
Hardness	General Tolerances				
Plating	Dimensions				
	Angles				

This drawing is provisional and subject to our reconfirmation and/or revision without notice.



View CC-CC  
DD-DD, EE-EE

2120  
750  
2840

Quantity	Unit	1/1000 mm	Cal. NO.:
Scale	5 : 1	Parts No.:	500-710
Date	Drawn	Checked	D. Yamada
Date	Drawn	Approved	Casings Holder
Material		Drawing No.: 820500E0	
Heat Treatment		Name:	
Hardness		CITIZEN WATCH CO., LTD. TOKYO, JAPAN	
Plating		MIYOTA	