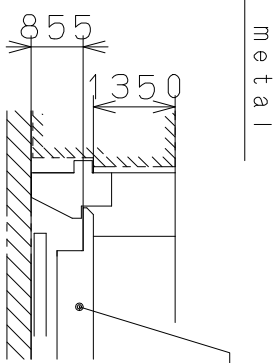
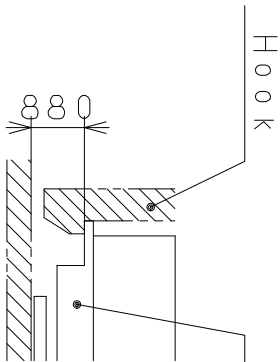
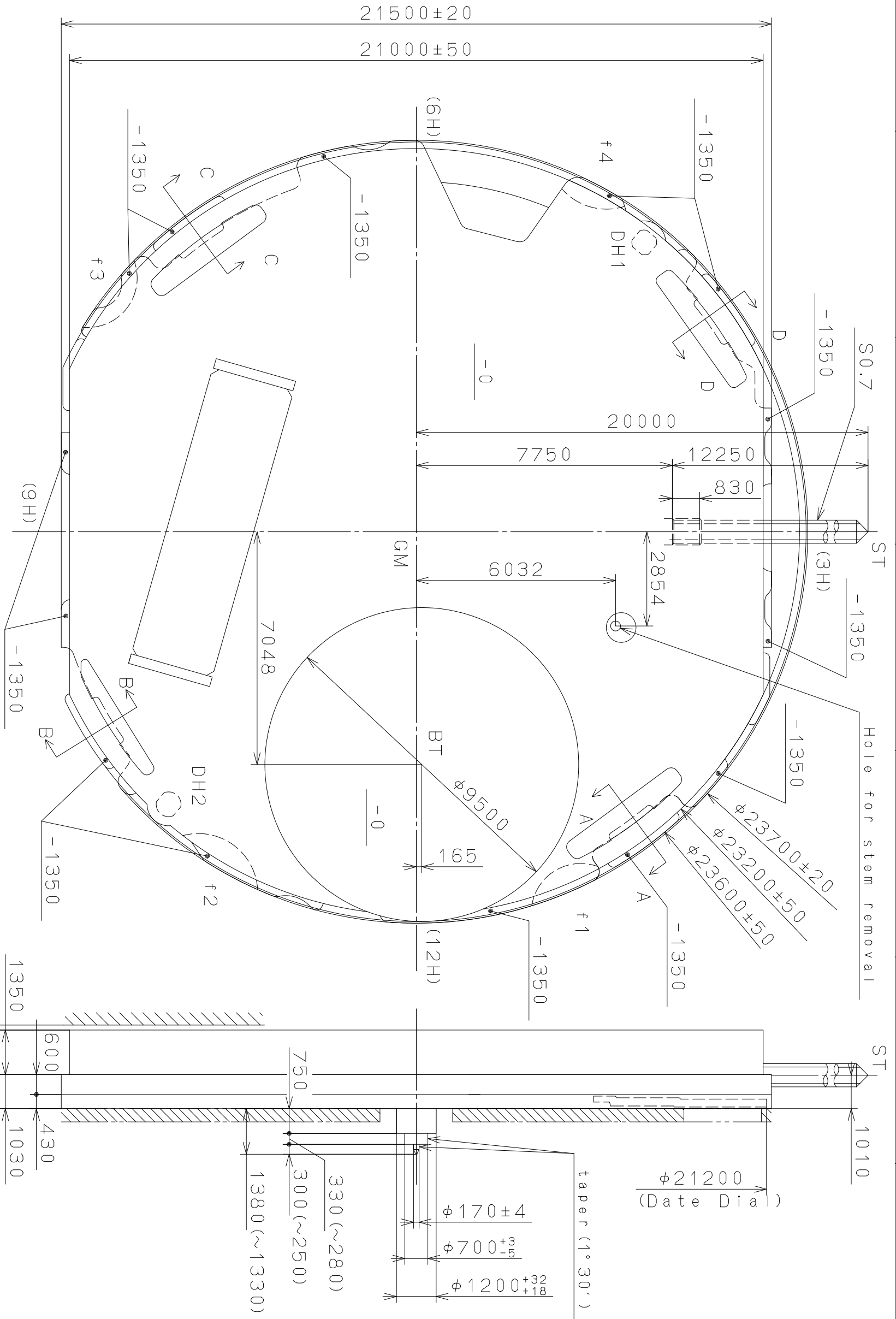


This drawing is provisional and subject to our reconfirmation and/or revision without notice.

F E D C B A

Mark	X	Y	R
GM	0	0	—
DH1	-8759	6900	—
DH2	8251	-7500	—
f1	11544	4979	1500
f2	10937	-6601	1800
f3	-7683	-9951	1500
f4	-11566	5760	1800

DH1~DH2=22287±30

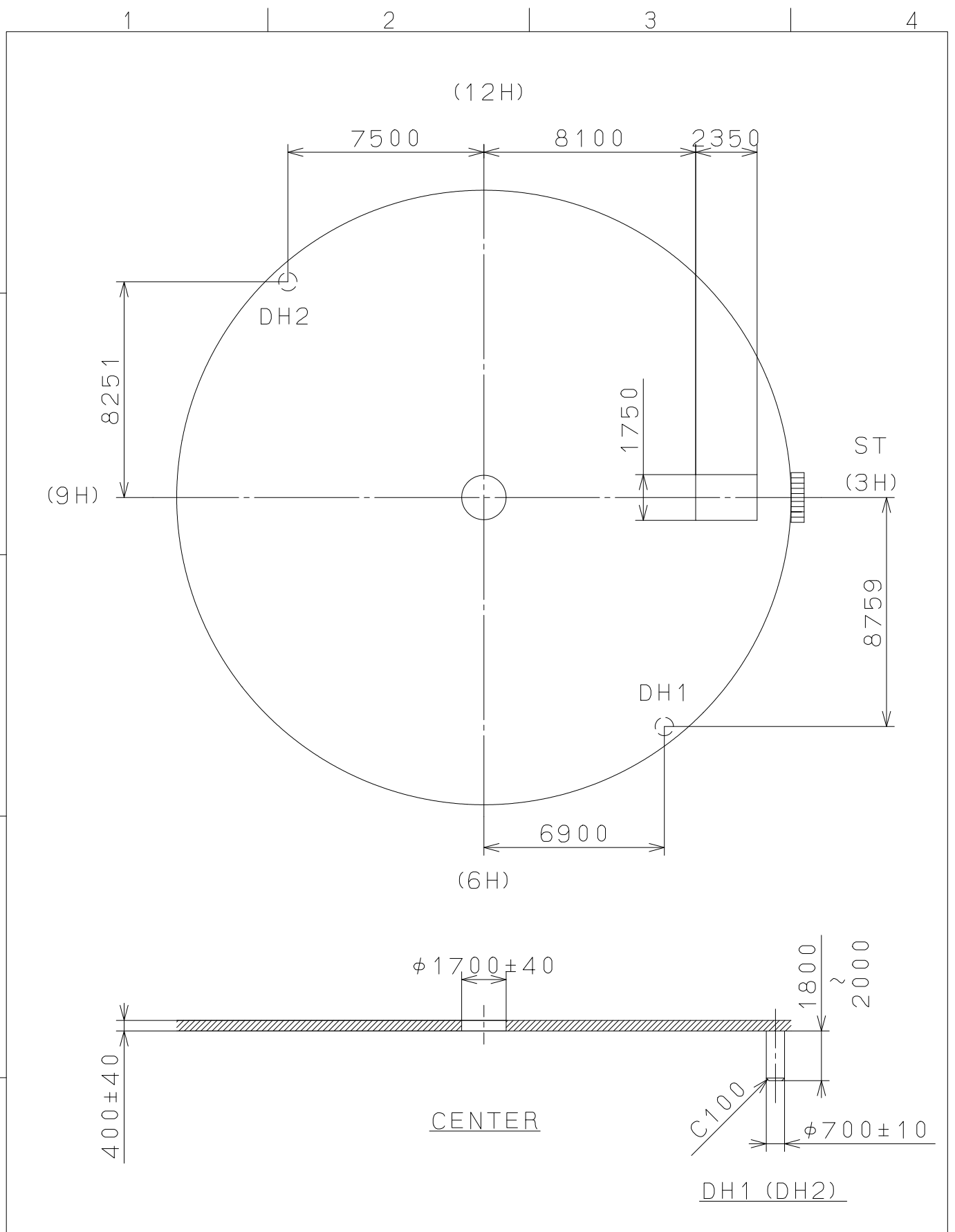


Section f1~f4

Section A-A, B-B, C-C, D-D

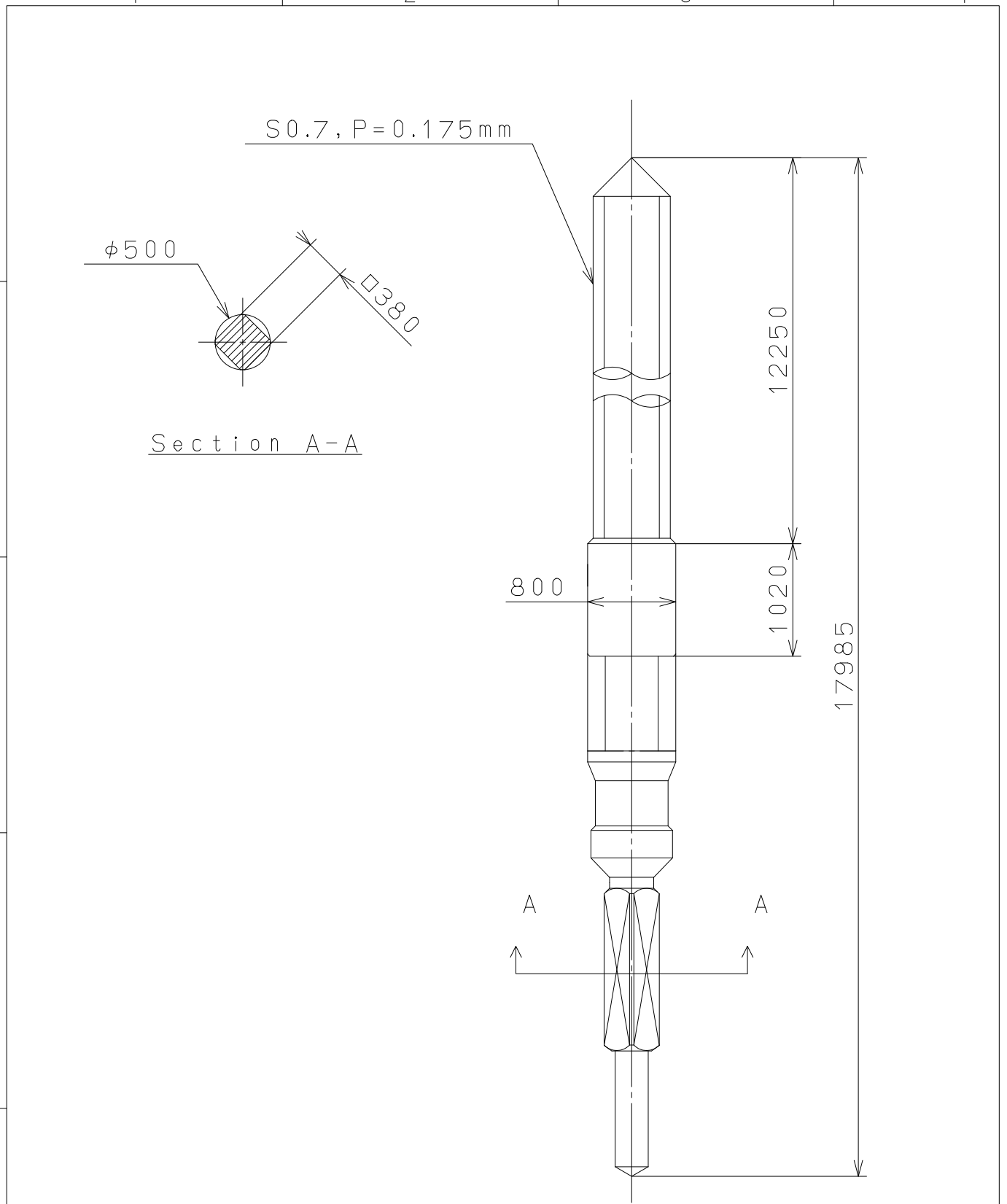
Quantity	1	1000 mm	Cal. NO.: 9U13
Unit	1	1000 mm	Parts No.:
Scale	8 : 1		
Date			
Drawn			
Checked			
Approved			
Description	D. Yamada		
Date			
Alteraions	Approved		
Material			
Heat Treatment			
Hardness			
Plating			
General Tolerances			
Dimensions			
Angles			
Name:	Frame for Case		
Drawing No.:	9U1300C0		
MIYOTA			
CITIZEN WATCH CO., LTD. TOKYO, JAPAN			

This drawing is provisional and subject to our reconfirmation and/or revision without notice.



△			Quantity		Cal.NO.:
△			Unit	1 / 1000 mm	9U13-00A
△			Scale	5 : 1	Parts No.:
△			Date		
△			Drawn		
Mark	Date	Description	Appro.	Checked	Name:
		Alterations		Approved	D. Yamada
Material					Indications for Dial
Heat Treatment					Drawing No.: 9U1300D0
Hardness				General Tolerances	MIYOTA
Plating				Dimensions	
				Angles	CITIZEN WATCH CO., LTD. TOKYO, JAPAN

This drawing is provisional and subject to our reconfirmation and/or revision without notice.



△			Quantity		Cal.NO.:
△			Unit	1 / 1000 mm	
△			Scale	20 : 1	Parts No.:
△			Date		065-495
△			Drawn		
Mark	Date	Description	Appro.	Checked	D. Yamada
Alterations			Approved	Name: SETTING STEM	
Material					Drawing No.: 495000S0
Heat Treatment	General Tolerances				MIYOTA
Hardness	Dimensions				
Plating	Angles				
					CITIZEN WATCH CO., LTD. TOKYO, JAPAN