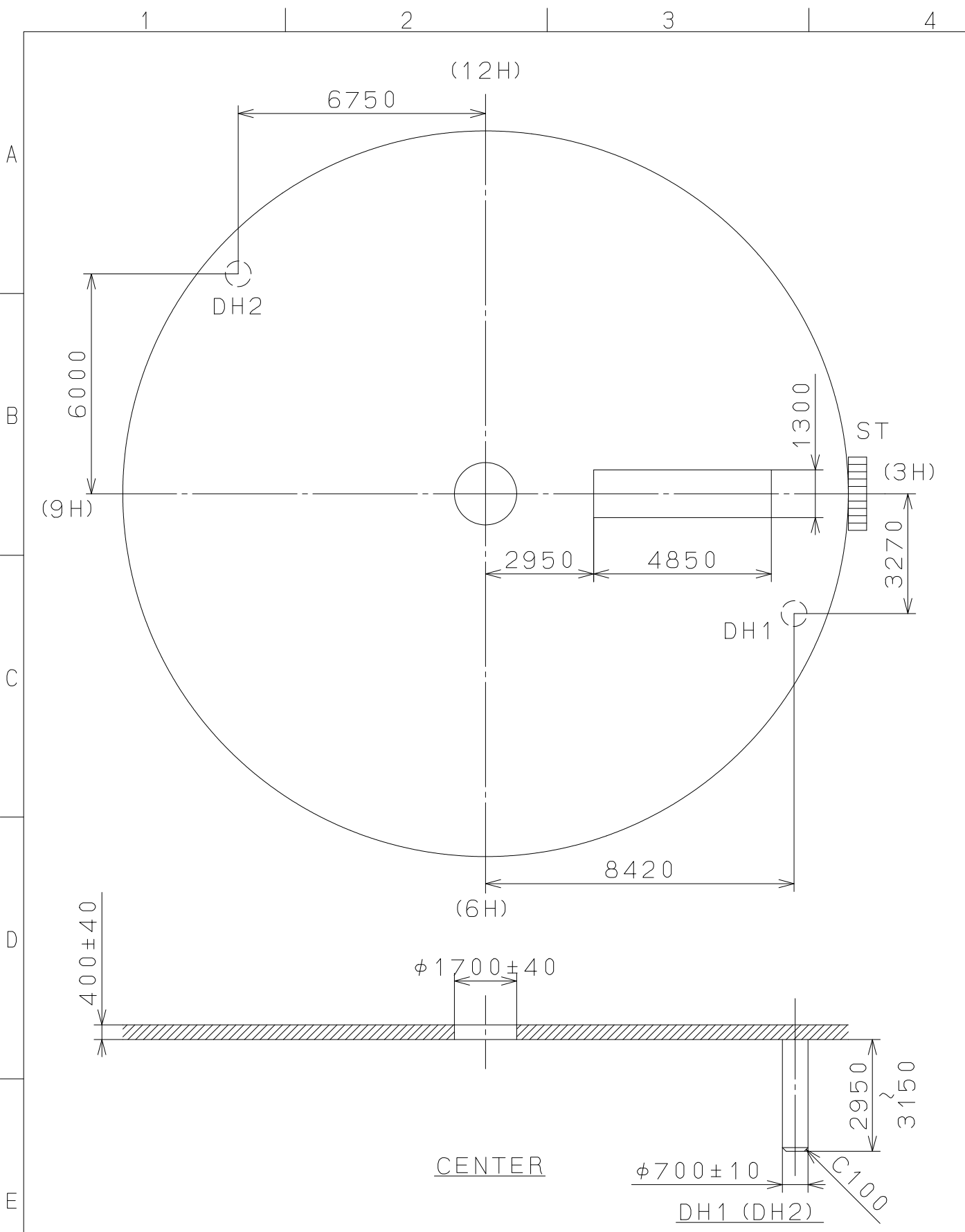


This drawing is provisional and subject to our reconfirmation and/or revision without notice.



|                |      |             |          |                      |                                    |                      |
|----------------|------|-------------|----------|----------------------|------------------------------------|----------------------|
| △              |      |             |          | Quantity             |                                    | Cal.NO.:             |
| △              |      |             |          | Unit                 | 1/1000mm                           | 6T51-21A             |
| △              |      |             |          | Scale                | 7:1                                | Parts No.:           |
| △              |      |             |          | Date                 |                                    |                      |
| △              |      |             |          | Drawn                |                                    |                      |
| Mark           | Date | Description | Appro.   | Checked              | D.Yamada                           | Name:                |
| Alterations    |      |             | Approved |                      |                                    | Indications for Dial |
| Material       |      |             |          | Drawing No.:6T5100D0 |                                    |                      |
| Heat Treatment |      |             |          | General Tolerances   | <b>MIYOTA</b>                      |                      |
| Hardness       |      |             |          | Dimensions           |                                    |                      |
| Plating        |      |             |          | Angles               |                                    |                      |
|                |      |             |          |                      | CITIZEN WATCH CO.,LTD. TOKYO,JAPAN |                      |