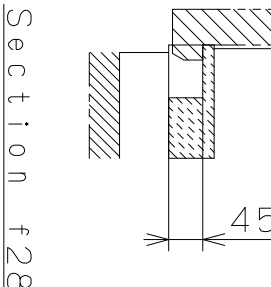
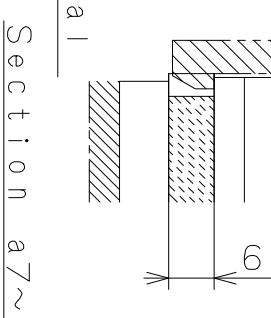
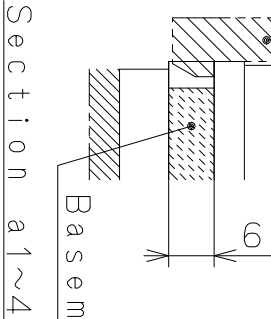
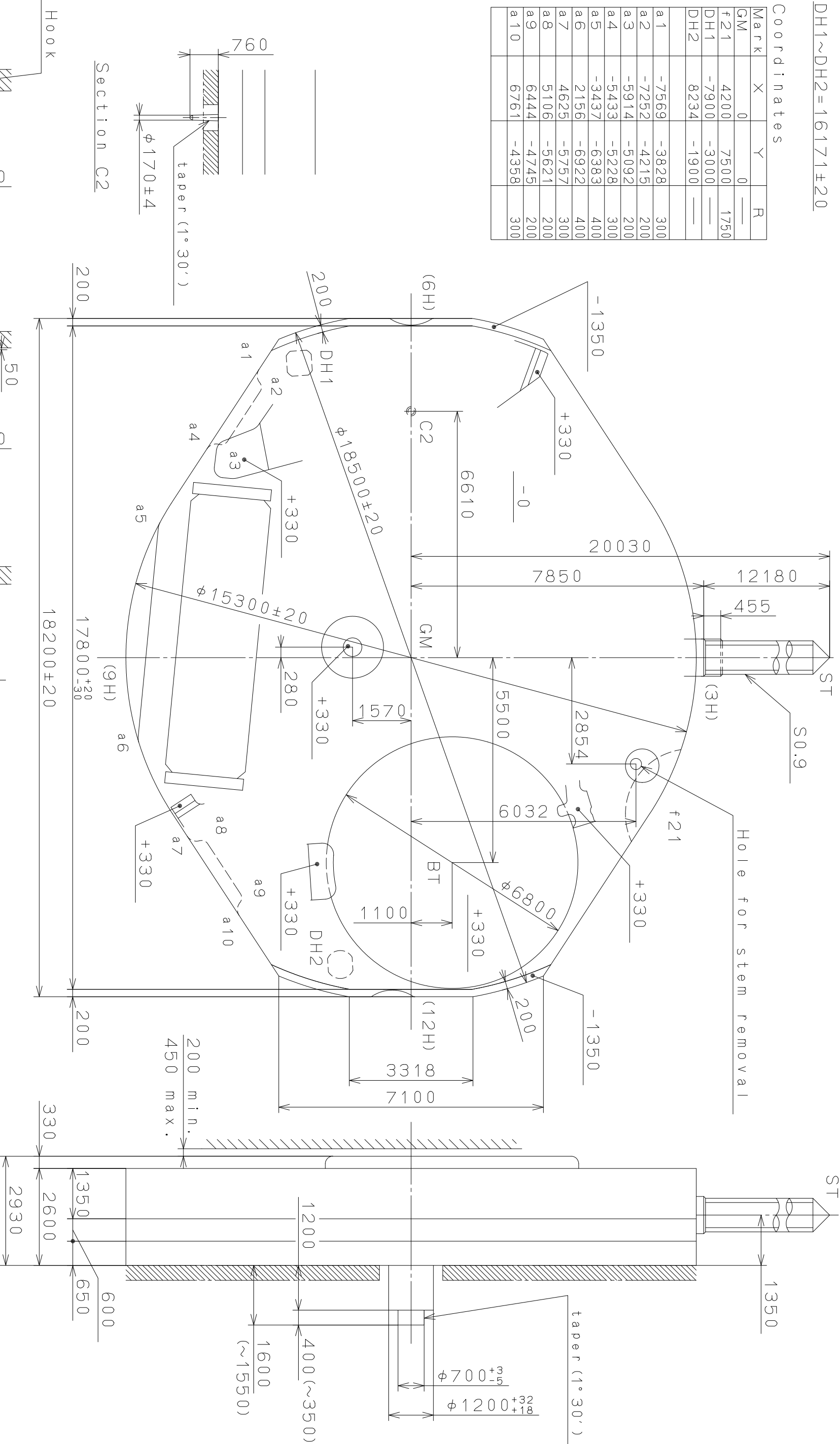


This drawing is provisional and subject to our reconfirmation and/or revision without notice.

DH1~DH2=16171±20

Coordinates

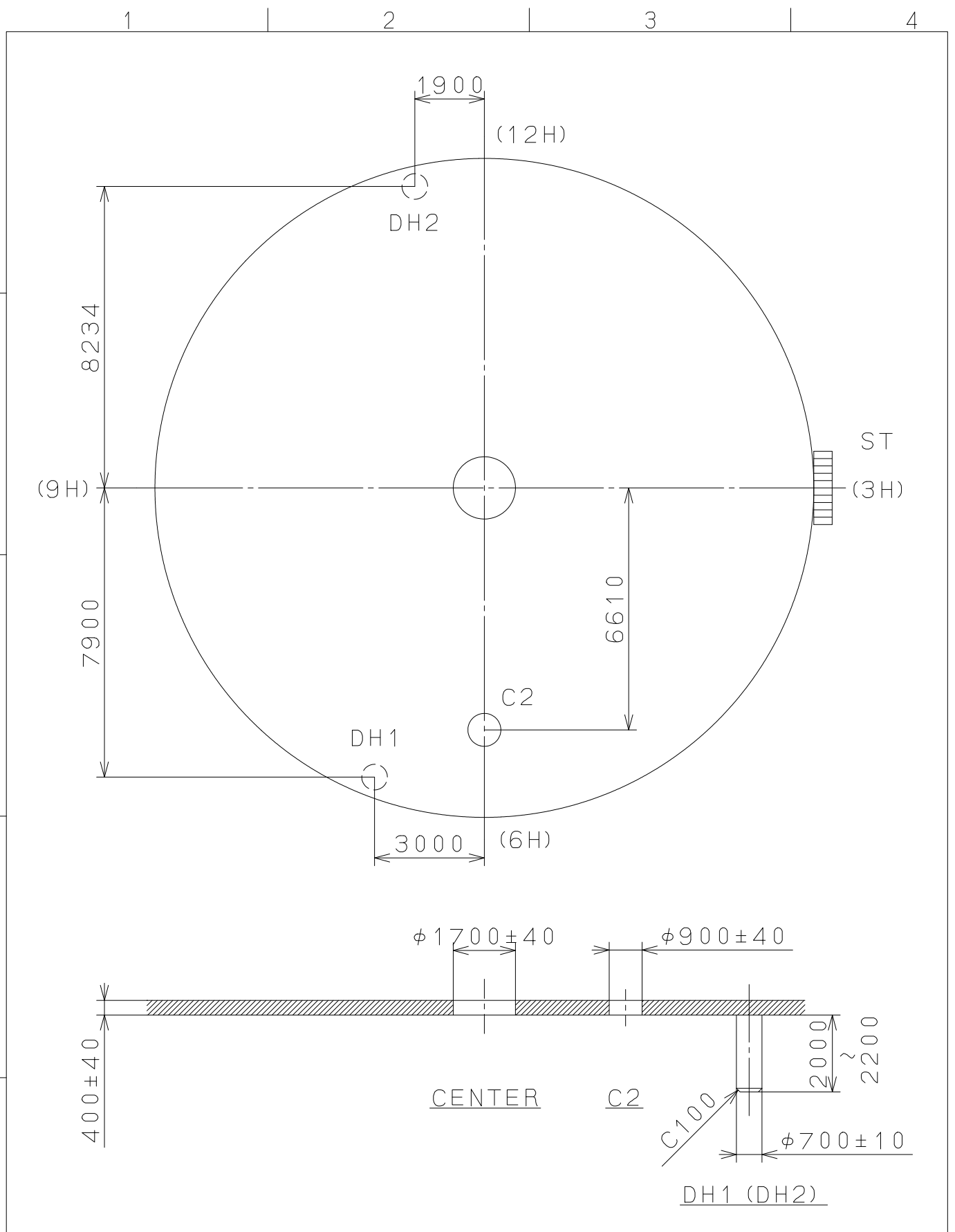
Mark	X	Y	R
GM	0	0	—
f21	4200	7500	1750
DH1	-7900	-3000	—
DH2	8234	-1900	—
a1	-7569	-3828	300
a2	-7252	-4215	200
a3	-5914	-5092	200
a4	-5433	-5228	300
a5	-3437	-6383	400
a6	2156	-6922	400
a7	4625	-5757	300
a8	5106	-5621	200
a9	6444	-4745	200
a10	6761	-4358	300



△	Quantity	1/1000 mm	Cal. NO.:	1L45
△	Unit	Scale	Parts No.:	
△	Scale	10 : 1		
△	Date	Drawn		
△	Date	Checked		
△	Date	Approved		
△	Alterations	Approved	D. Yamada	Name:
△	Material			Frame for Case
△	Heat Treatment			Drawing No.: 1L4500C0
△	Hardness			
△	Plating			
	General Tolerances			
	Dimensions			
	Angles			

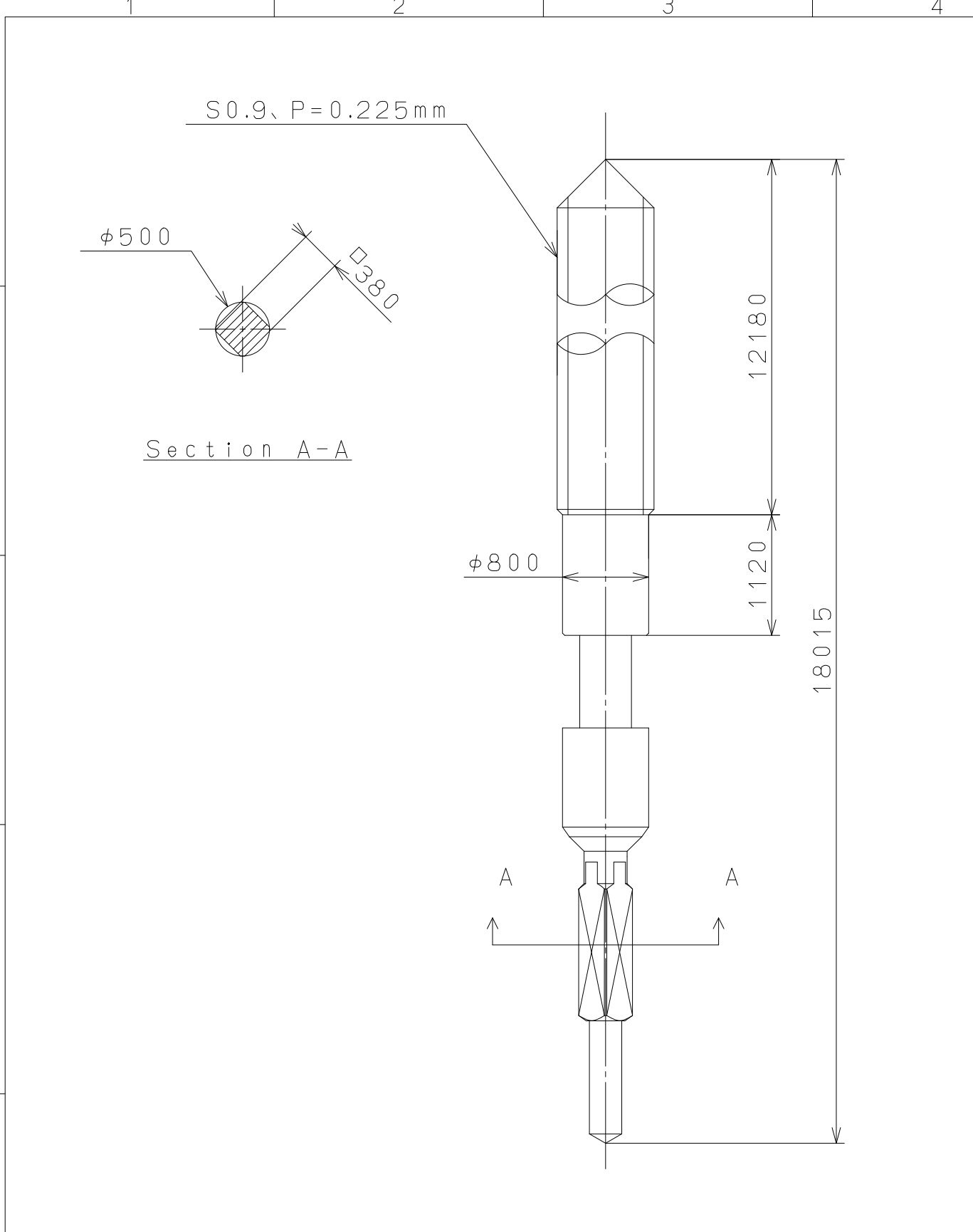
**MIYOTA**  
CITIZEN WATCH CO., LTD. TOKYO, JAPAN

This drawing is provisional and subject to our reconfirmation and/or revision without notice.



△			Quantity		Cal.NO.:
△			Unit	1 / 1000 mm	1L45-10A
△			Scale	7 : 1	Parts No.:
△			Date		
△			Drawn		
Mark	Date	Description	Appr.	Checked	Name:
		Alterations		Approved	D. Yamada
Material					Indications for Dial
Heat Treatment					Drawing No.: 1L4500D0
Hardness					<b>MIYOTA</b>
Plating					
					CITIZEN WATCH CO., LTD. TOKYO, JAPAN

This drawing is provisional and subject to our reconfirmation and/or revision without notice.



△			Quantity		Cal.NO.:
△			Unit	1 / 1000 mm	
△			Scale	20 : 1	Parts No.:
△			Date		065-477
△			Drawn		
Mark	Date	Description	Appr.	Checked	D. Yamada
Alterations			Approved	Name: SETTING STEM	
Material				Drawing No.: 477000S0	
Heat Treatment				<b>MIYOTA</b> CITIZEN WATCH CO., LTD. TOKYO, JAPAN	
Hardness					
Plating					