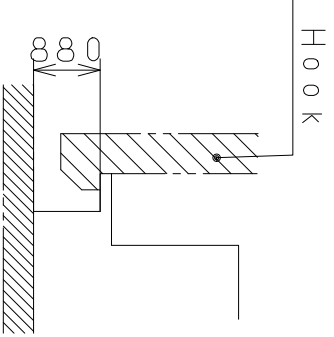
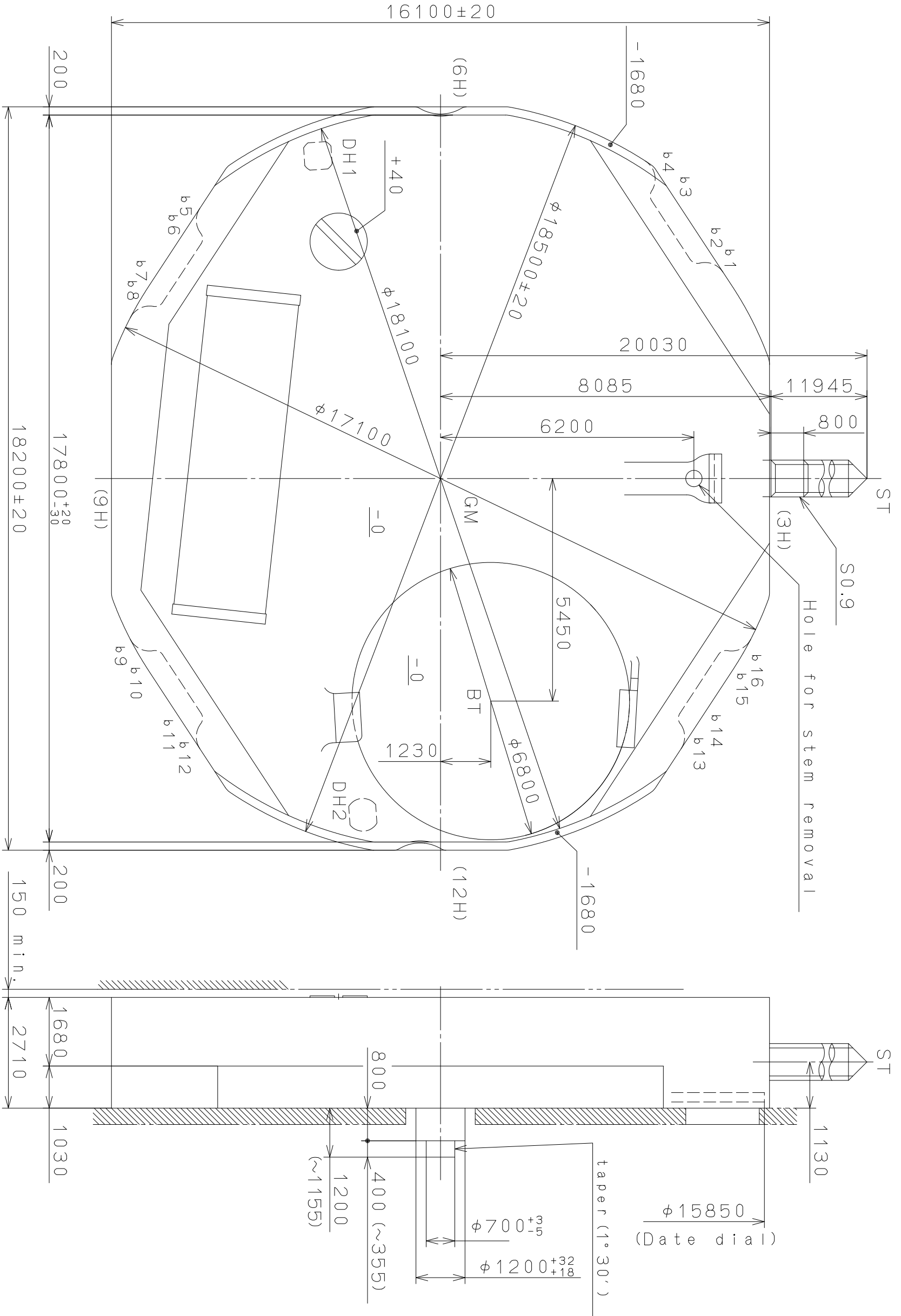


This drawing is provisional and subject to our reconfirmation and/or revision without notice.

DH1~DH2=16171±20

Coordinates

Mark	X	Y	R
GM	0	0	—
DH1	-7900	-3000	—
DH2	8234	-1900	—
b1	-4760	6470	530
b2	-5488	6291	220
b3	-6923	5351	220
b4	-7331	4722	530
b5	-6325	-5444	530
b6	-5871	-6041	220
b7	-4431	-6984	220
b8	-3693	-7119	530
b9	3693	-7119	530
b10	4431	-6984	220
b11	5871	-6041	220
b12	6325	-5444	530
b13	6325	5444	530
b14	5871	6041	220
b15	4431	6984	220
b16	3693	7119	530



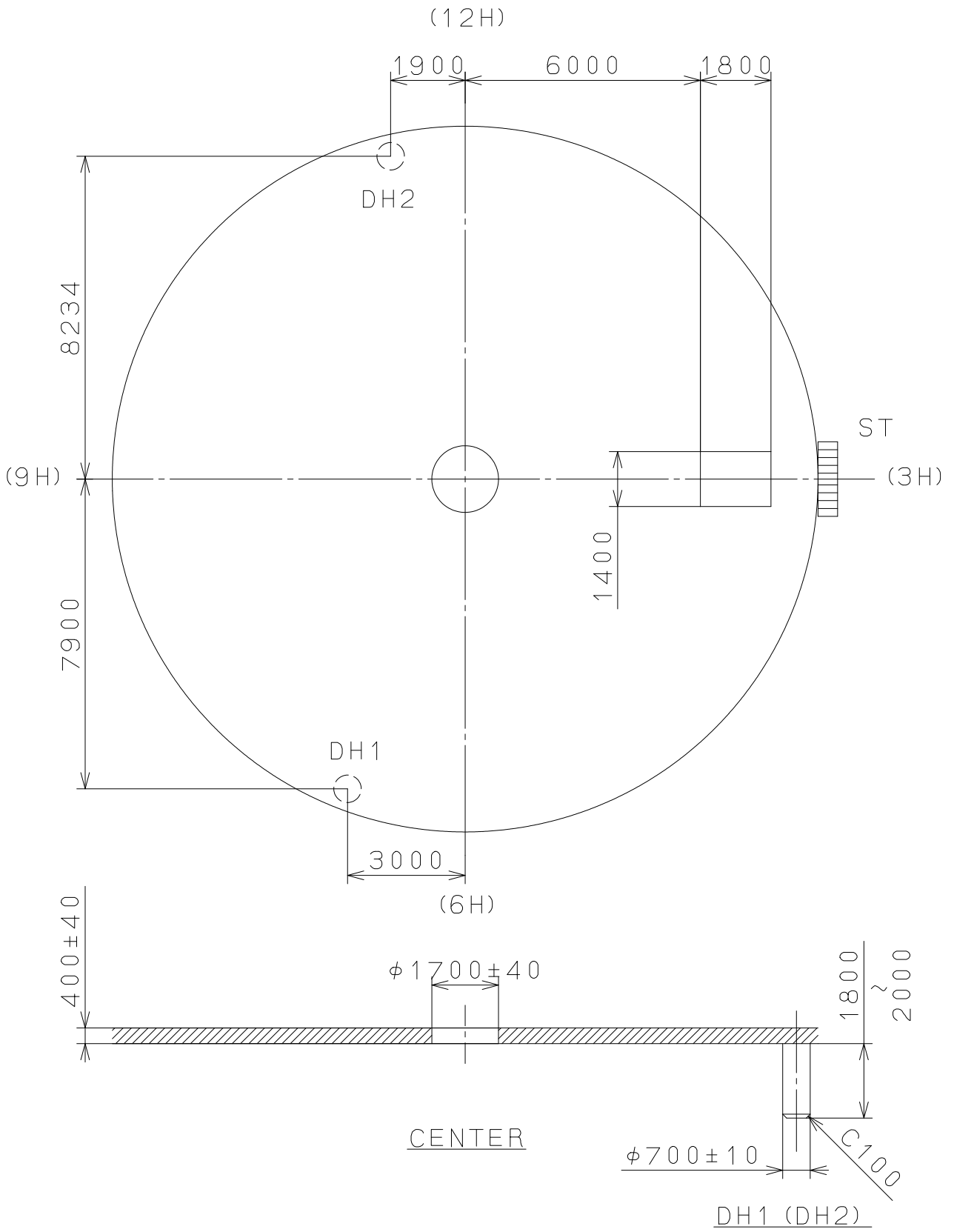
Section b1~b16

Mark	Date	Description	Appr.	Checked	Drawn	Quantity	Unit	Cal. NO.:
△						1	1/1000 mm	GL17
△						1	0 : 1	Parts No.:
△								
△								
△								
Material	Alterations		Approved	D. Yamada		Name: Frame for Case		
Heat Treatment						Drawing No.: GL1700C1		
Hardness						General Tolerances		
Plating						Dimensions		
						Angles		

**MIYOTA**

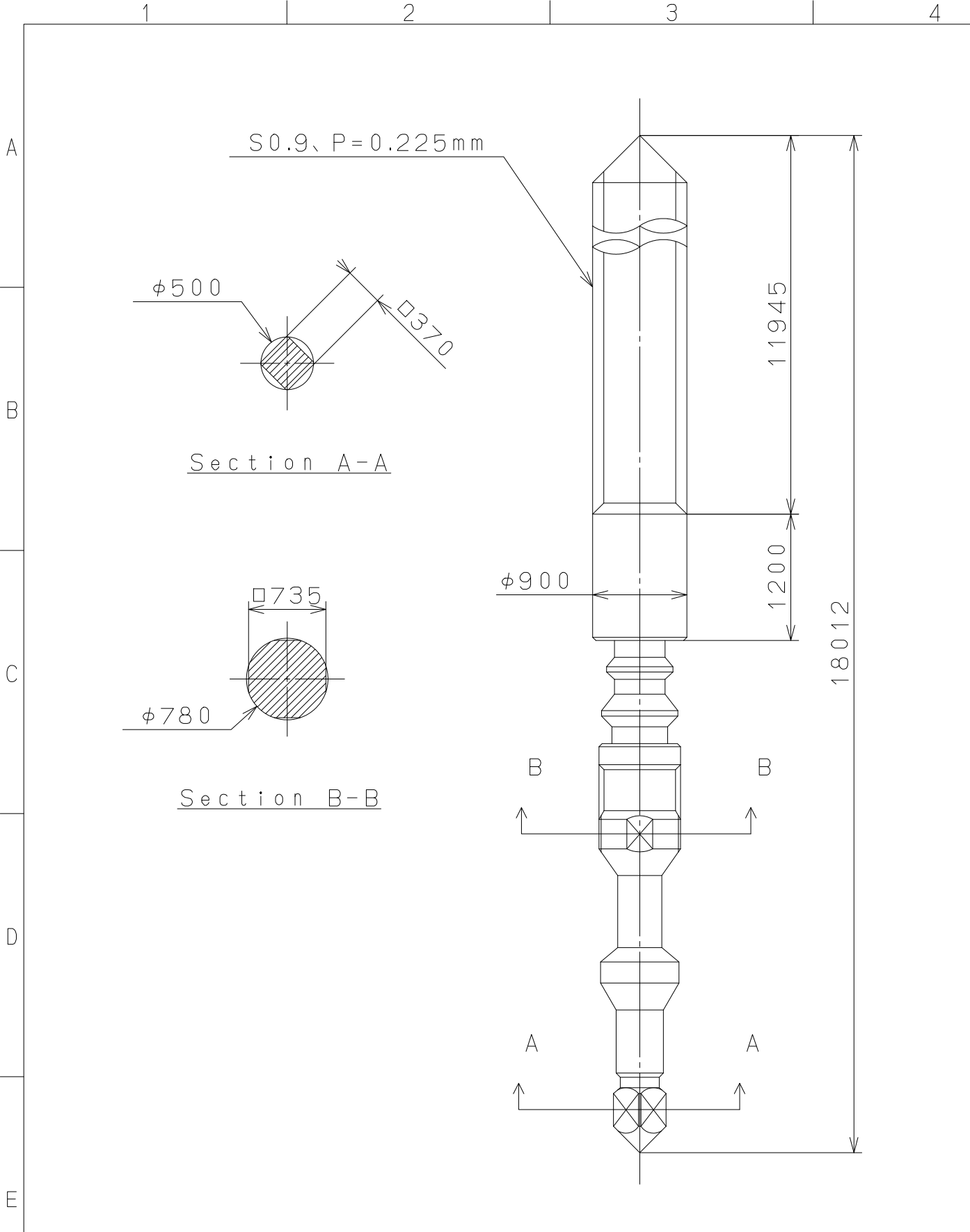
CITIZEN WATCH CO., LTD. TOKYO, JAPAN

This drawing is provisional and subject to our reconfirmation and/or revision without notice.



△			Quantity		Cal. NO.:
△			Unit	1 / 1000 mm	GL17-10A
△			Scale	7 : 1	Parts No.:
△			Date		
△			Drawn		
Mark	Date	Description	Appro.	Checked	Name:
		Alterations	Approved	D. Yamada	Indications for Dial
Material					Drawing No.: GL1700D0
Heat Treatment				General Tolerances	<b>MIYOTA</b>
Hardness				Dimensions	
Plating				Angles	
					CITIZEN WATCH CO., LTD. TOKYO, JAPAN

This drawing is provisional and subject to our reconfirmation and/or revision without notice.



△			Quantity		Cal.NO.:
△			Unit	1 / 1000 mm	
△			Scale	20 : 1	Parts No.:
△			Date		065-547
△			Drawn		
Mark	Date	Description	Appr.	Checked	Name:
		Alterations	Approved	D. Yamada	SETTING STEM
Material					Drawing No.: 547000S1
Heat Treatment					<b>MIYOTA</b>
Hardness					
Plating					
			General Tolerances	CITIZEN WATCH CO., LTD. TOKYO, JAPAN	
			Dimensions		
			Angles		