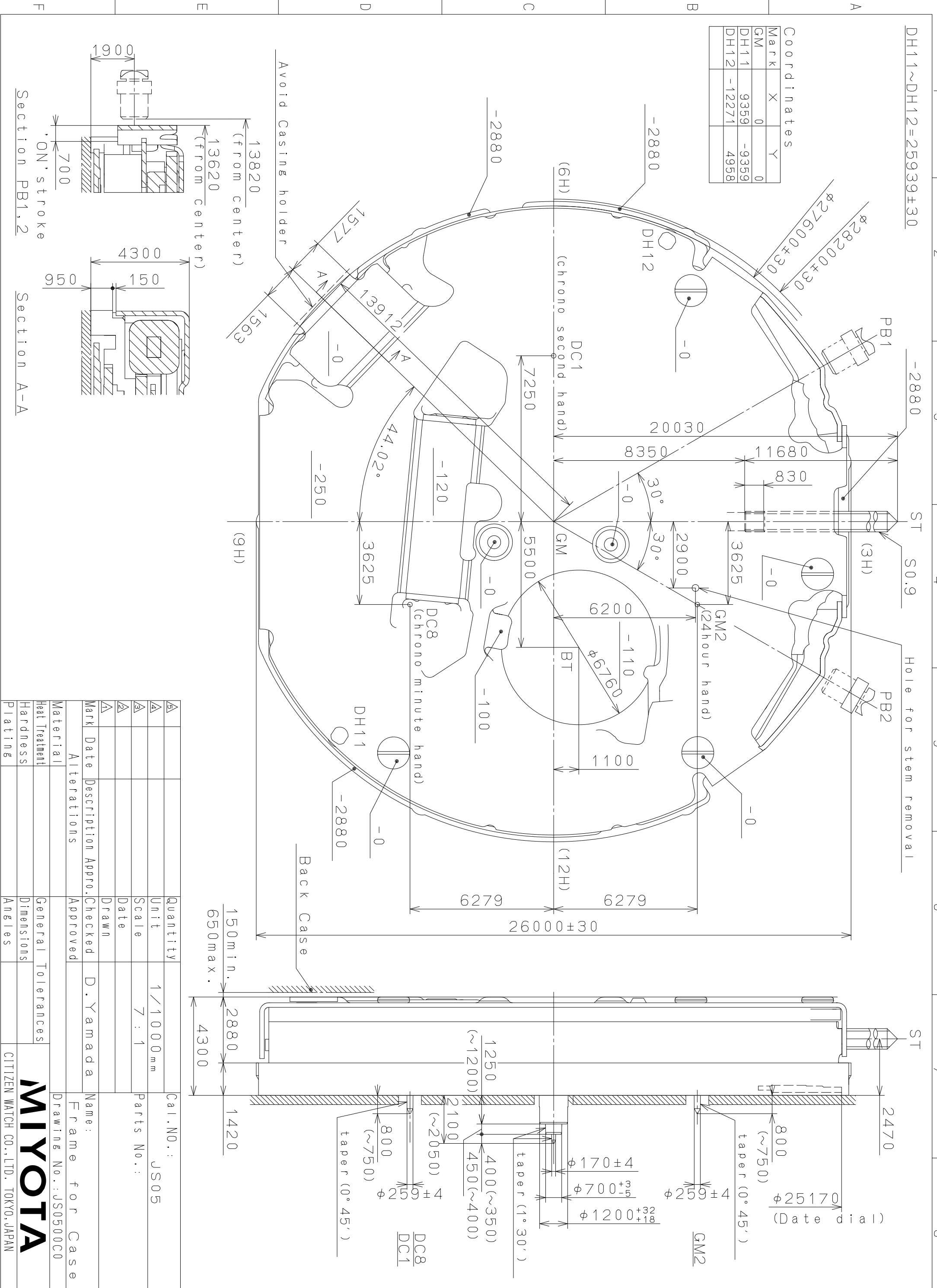


This drawing is provisional and subject to our reconfirmation and/or revision without notice.



Coordinates

Mark	X	Y
GM	0	0
DH11	9359	-9359
DH12	-12271	4958

Section PB1,2

Section A-A

Mark	Date	Description	Appro.	Checked	Drawn
Δ					
Δ					
Δ					
Δ					
Δ					

Material	Alterations	Quantity	Unit	Cal. NO.:
Material			1/1000 mm	JS05
Heat Treatment			Scale	7:1
Hardness			Date	
Plating			Drawn	

Material	General Tolerances	Dimensions	Angles

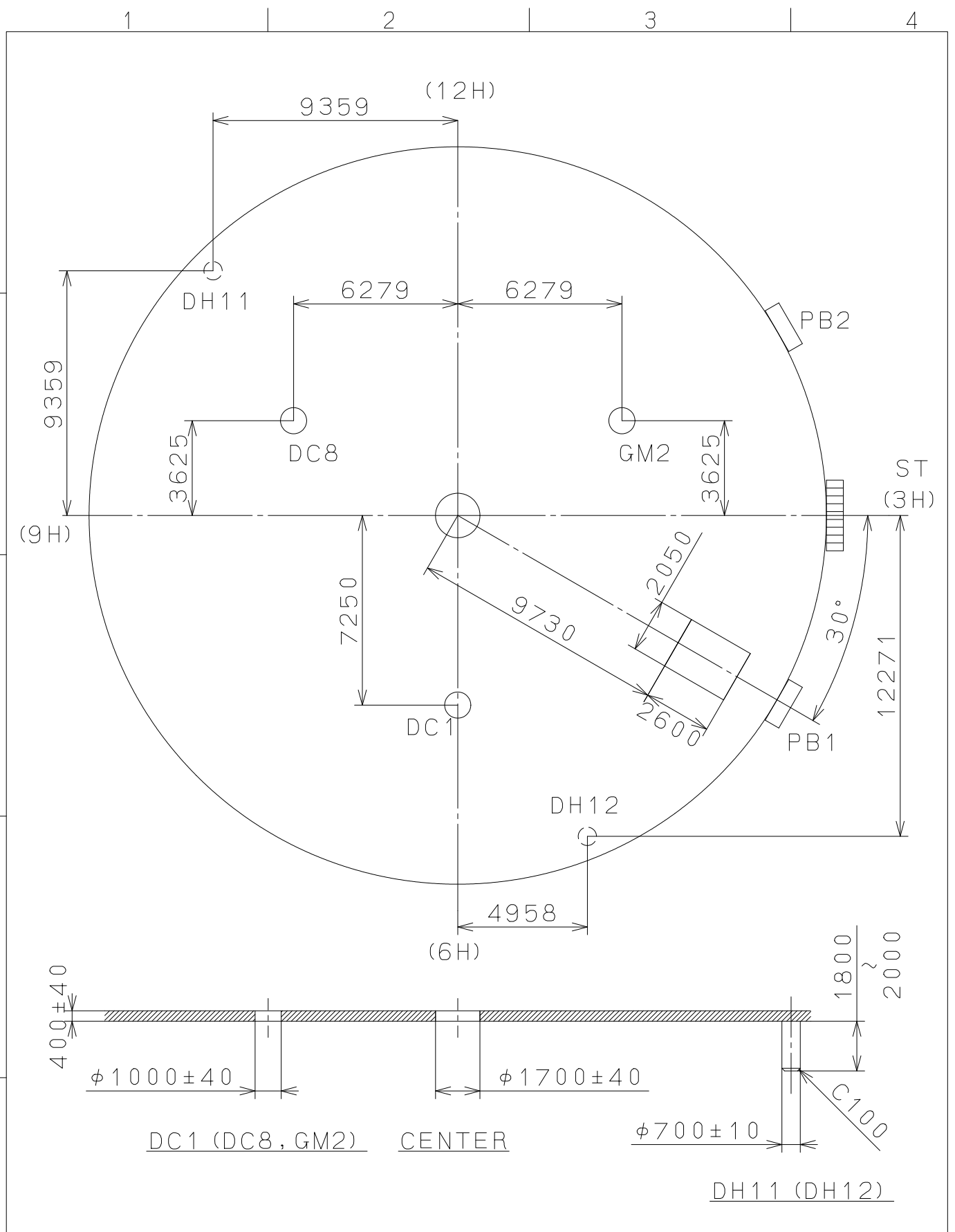
Mark	Date	Description	Appro.	Checked	Drawn

Name:	Frame for Case
D. Yamada	

Drawing No.:	Parts No.:
JS0500C0	

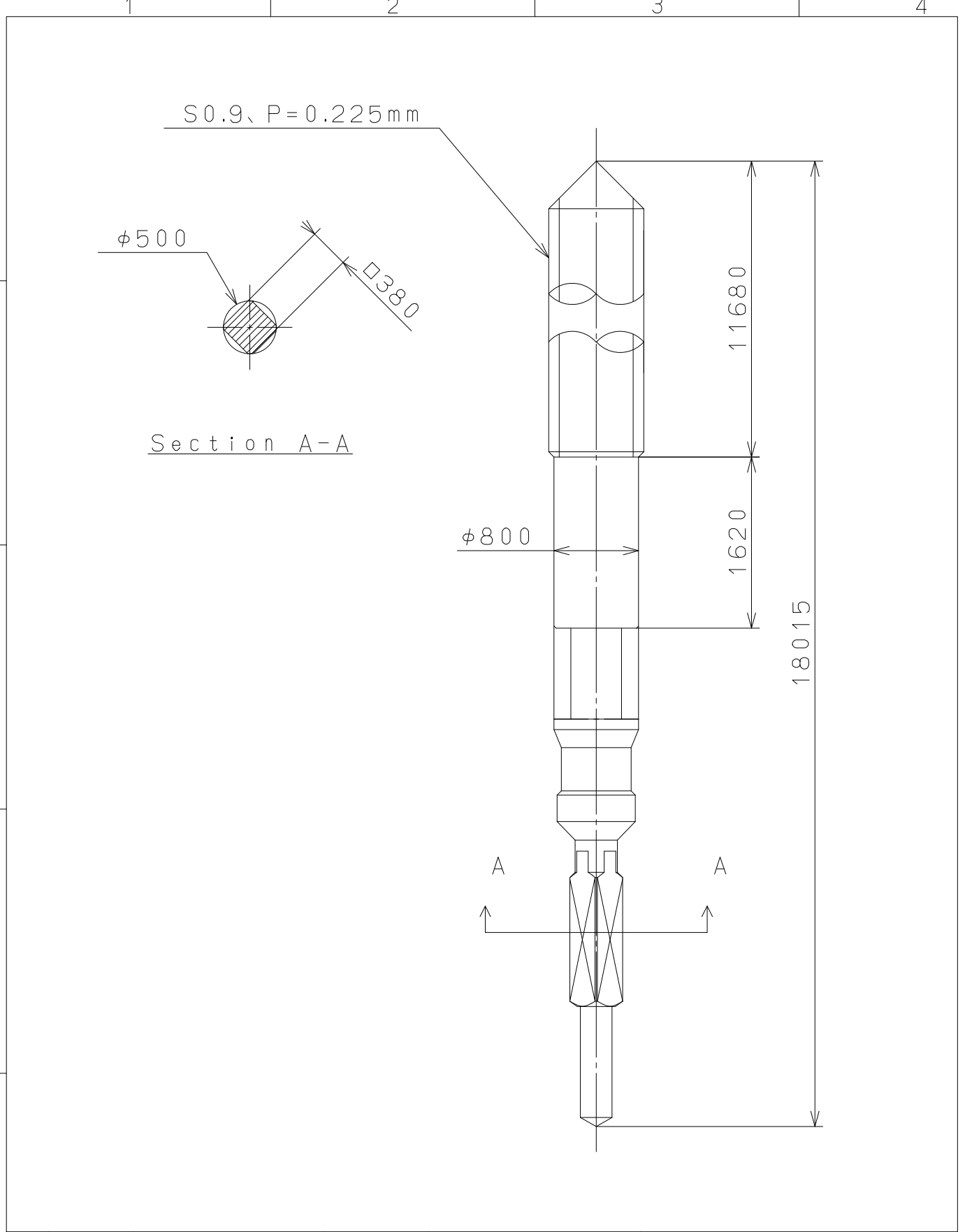
MIYOTA
CITIZEN WATCH CO., LTD. TOKYO, JAPAN

This drawing is provisional and subject to our reconfirmation and/or revision without notice.



△			Quantity		Cal.NO.:
△			Unit	1/1000 _{mm}	JS05-00C
△			Scale	5 : 1	Parts No.:
△			Date		
△			Drawn		
Mark	Date	Description	Appr.	Checked	Name:
		Alterations	Approved	D. Yamada	
Material					Indications for Dial
Heat Treatment					Drawing No.: JS0500D0
Hardness			General Tolerances		MIYOTA
Plating			Dimensions		
			Angles		CITIZEN WATCH CO., LTD. TOKYO, JAPAN

This drawing is provisional and subject to our reconfirmation and/or revision without notice.



⑤			Quantity		Cal.NO.:
④			Unit	1 / 1000 mm	
③			Scale	20 : 1	Parts No.:
②			Date		065-505
①			Drawn		
Mark	Date	Description	Appro.	Checked	D. Yamada
Alterations			Approved	Name: SETTING STEM	
Material					Drawing No.: 505000S0
Heat Treatment					MIYOTA
Hardness					
Plating					
					CITIZEN WATCH CO., LTD. TOKYO, JAPAN