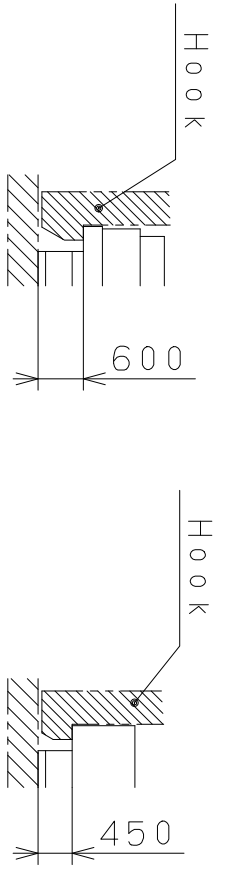
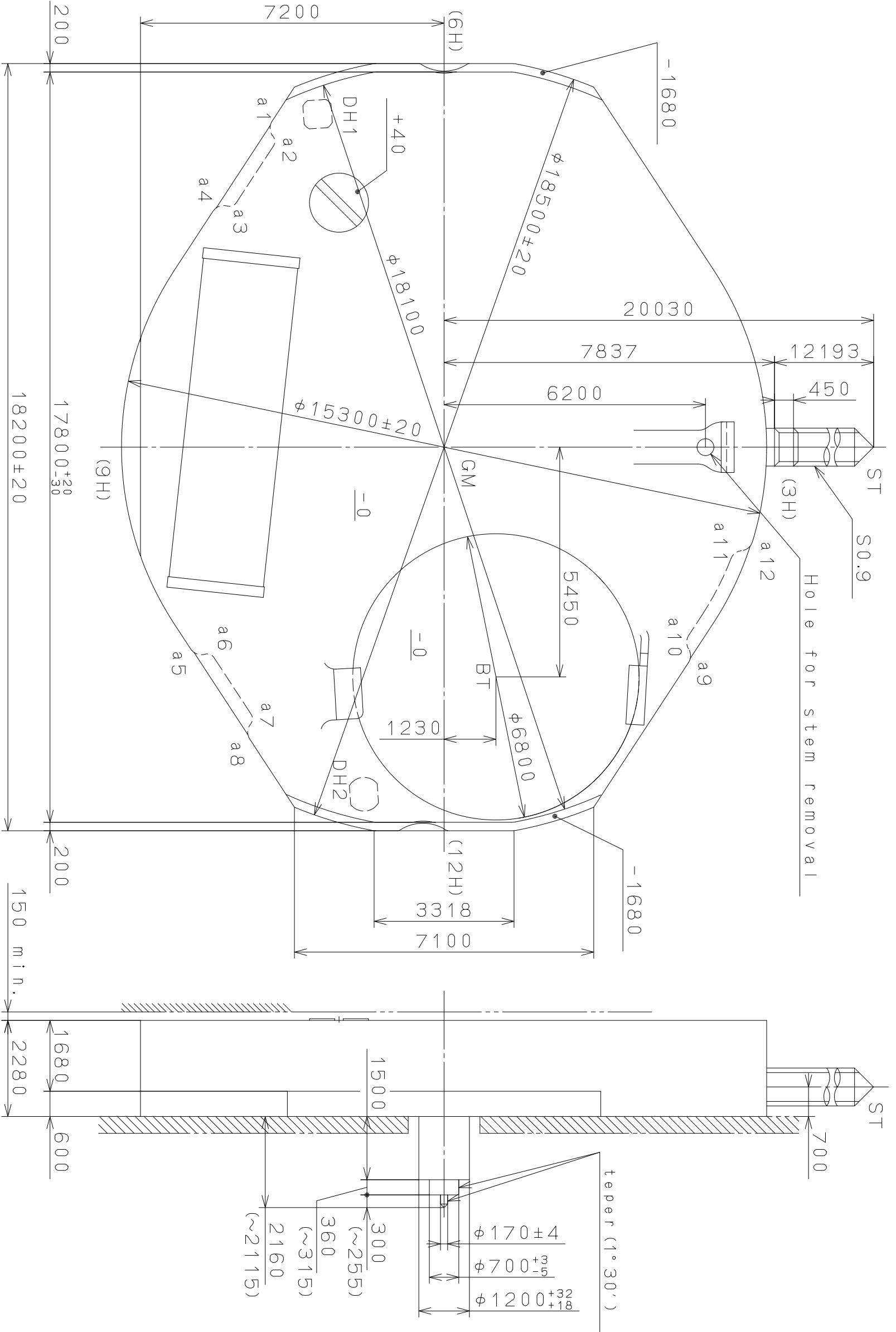


This drawing is provisional and subject to our reconfirmation and/or revision without notice.

DH1~DH2=16171±20

Coordinates

Mark	X	Y	R
GM	0	0	—
DH1	-7900	-3000	—
DH2	8234	-1900	—
a1	-7569	-3828	300
a2	-7252	-4215	200
a3	-5914	-5092	200
a4	-5433	-5228	300
a5	4625	-5757	300
a6	5106	-5621	200
a7	6444	-4745	200
a8	6761	-4358	300
a9	4947	5546	300
a10	4628	6054	300
a11	2754	7083	300
a12	2157	7026	300

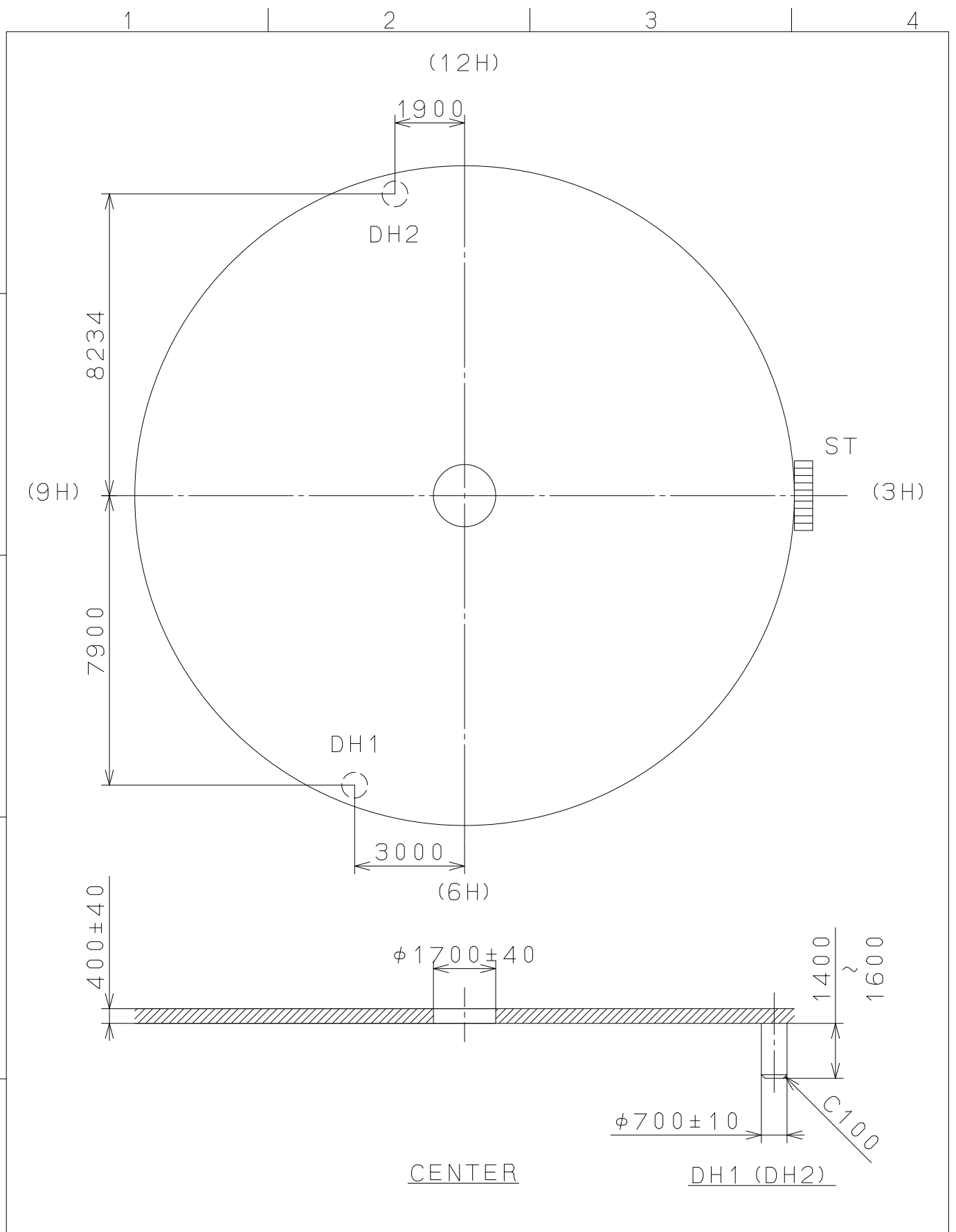


Section a1~a4, a5~a8 Section a9~a12

△	Quantity	Cal. NO.:	GL34
△	Unit	1/1000 mm	
△	Scale	10:1	Parts No.:
△	Date		
△	Drawn		
△	Checked	D. Yamada	Name:
△	Approved		Frame for Case
△	Alterations		Drawing No.: GL3400C1
△	Date		
△	Description		
△	Material		
△	Heat Treatment		
△	Hardness		
△	Plating		
	General Tolerances		
	Dimensions		
	Angles		

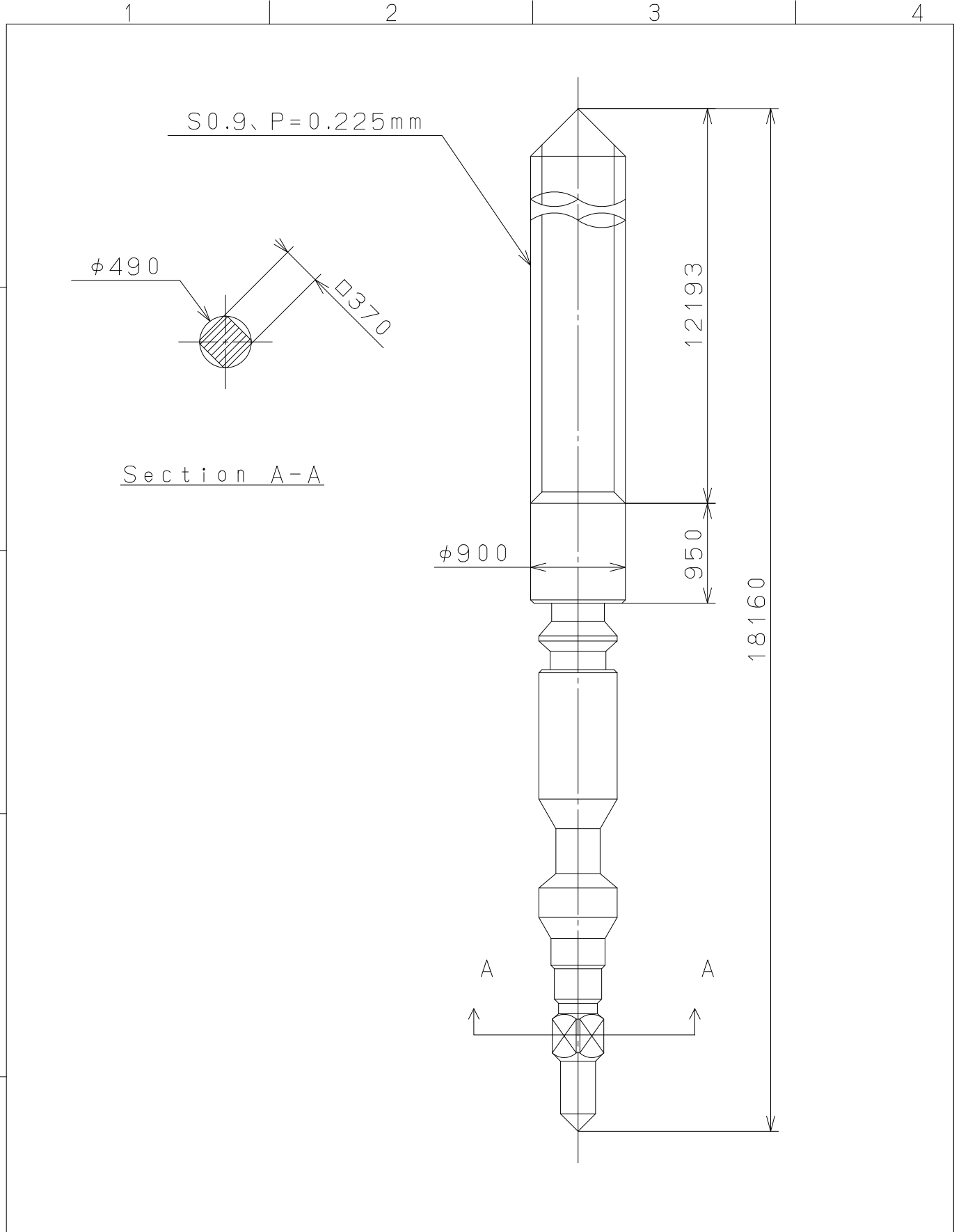
MIYOTA
CITIZEN WATCH CO., LTD. TOKYO, JAPAN

This drawing is provisional and subject to our reconfirmation and/or revision without notice.



△			Quantity		Cal.NO.:
△			Unit	1 / 1000 mm	GL34-10A
△			Scale	7 : 1	Parts No.:
△			Date		
△			Drawn		
Mark	Date	Description	Appr.	Checked	Name:
		Alterations		Approved	D. Yamada
Material					Indications for Dial
Heat Treatment					Drawing No.: GL3400D0
Hardness					MIYOTA
Plating					
				General Tolerances	CITIZEN WATCH CO., LTD. TOKYO, JAPAN
				Dimensions	
				Angles	

This drawing is provisional and subject to our reconfirmation and/or revision without notice.



△5			Quantity		Cal.NO.:
△4			Unit	1 / 1000 mm	
△3			Scale	20 : 1	Parts No.:
△2			Date		065-541
△1			Drawn		
Mark	Date	Description	Appr.	Checked	D. Yamada
Alterations			Approved	Name:	
			SETTING STEM		
Material					Drawing No.: 541000S1
Heat Treatment					MIYOTA CITIZEN WATCH CO., LTD. TOKYO, JAPAN
Hardness	General Tolerances				
Plating	Dimensions				
	Angles				