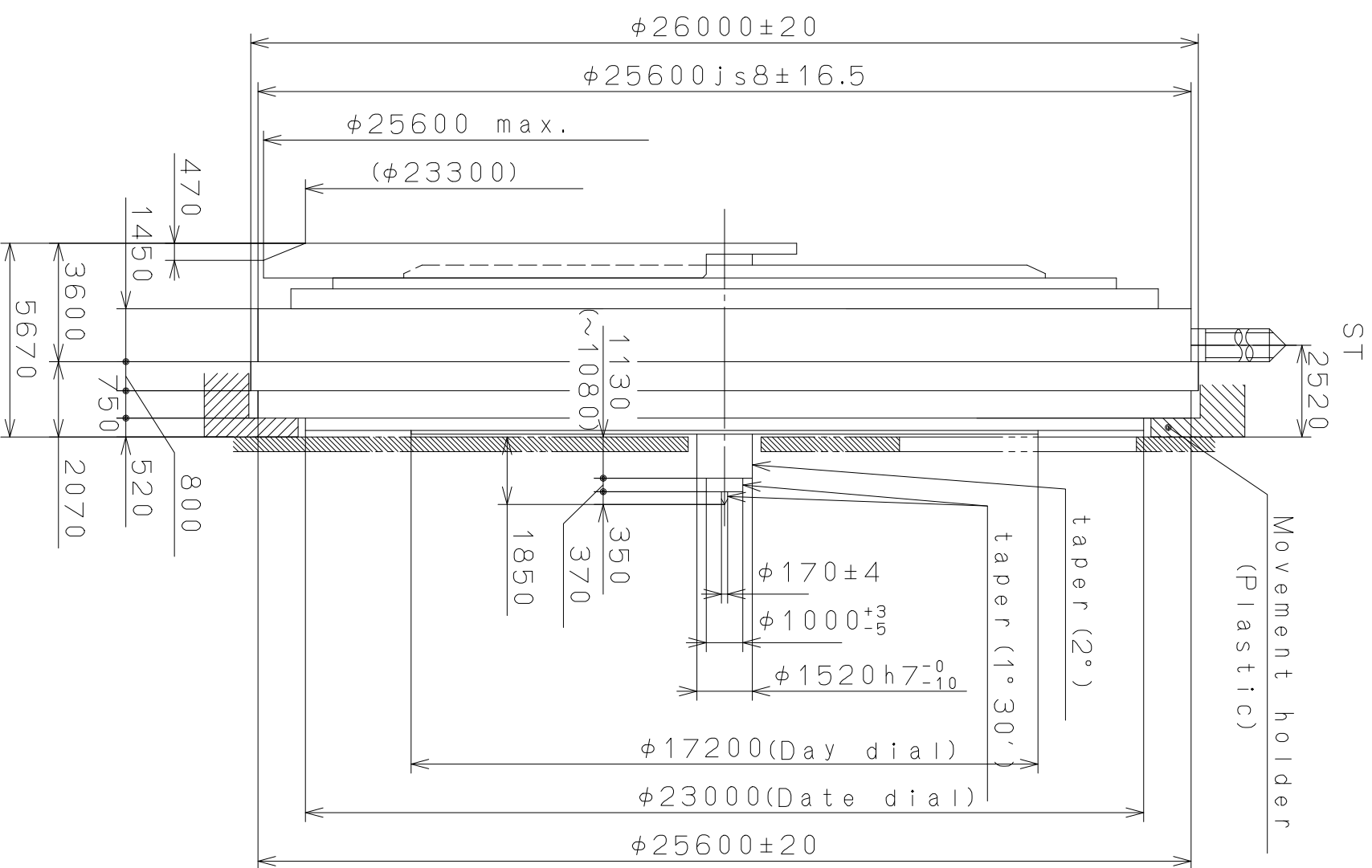
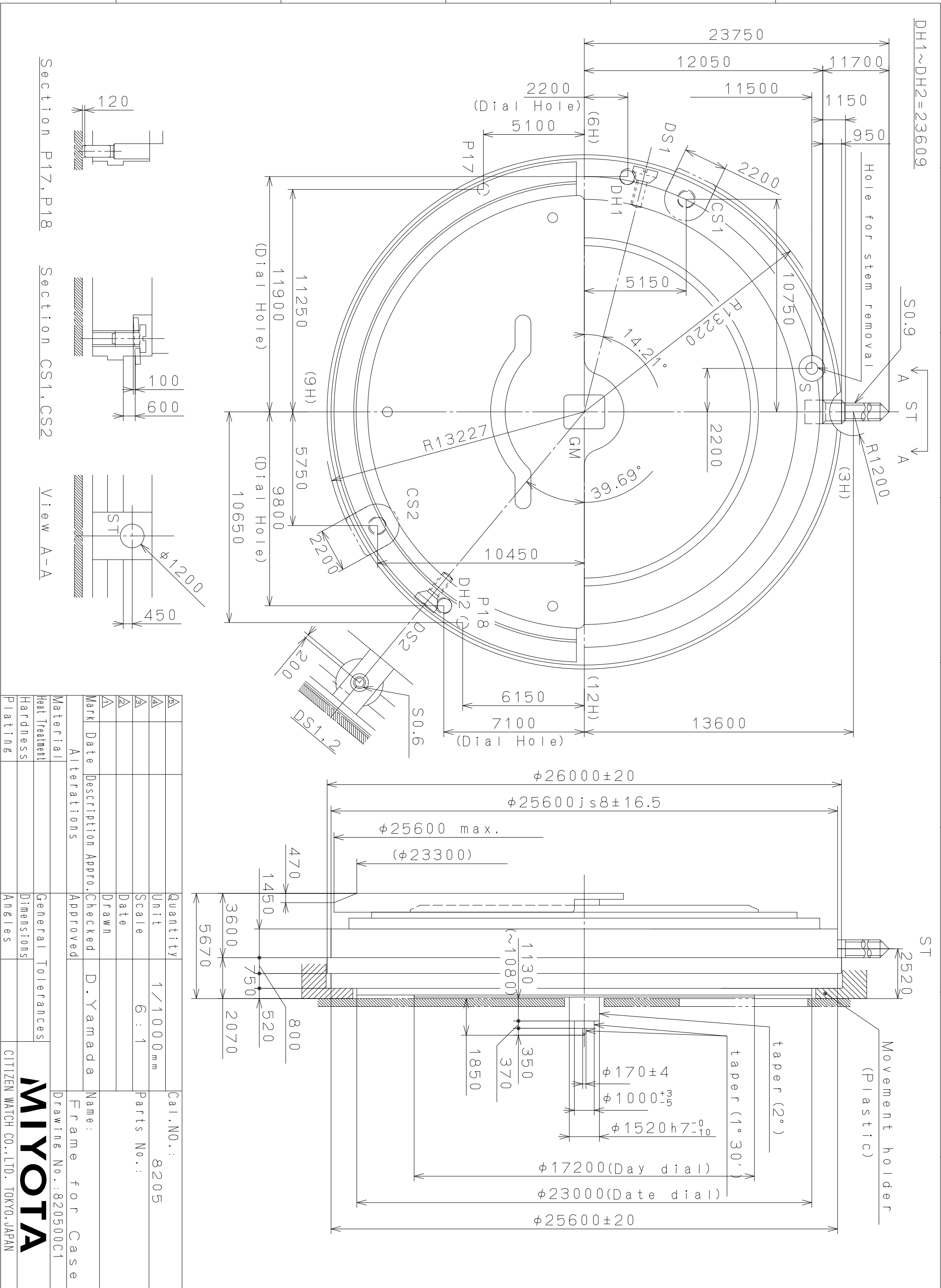
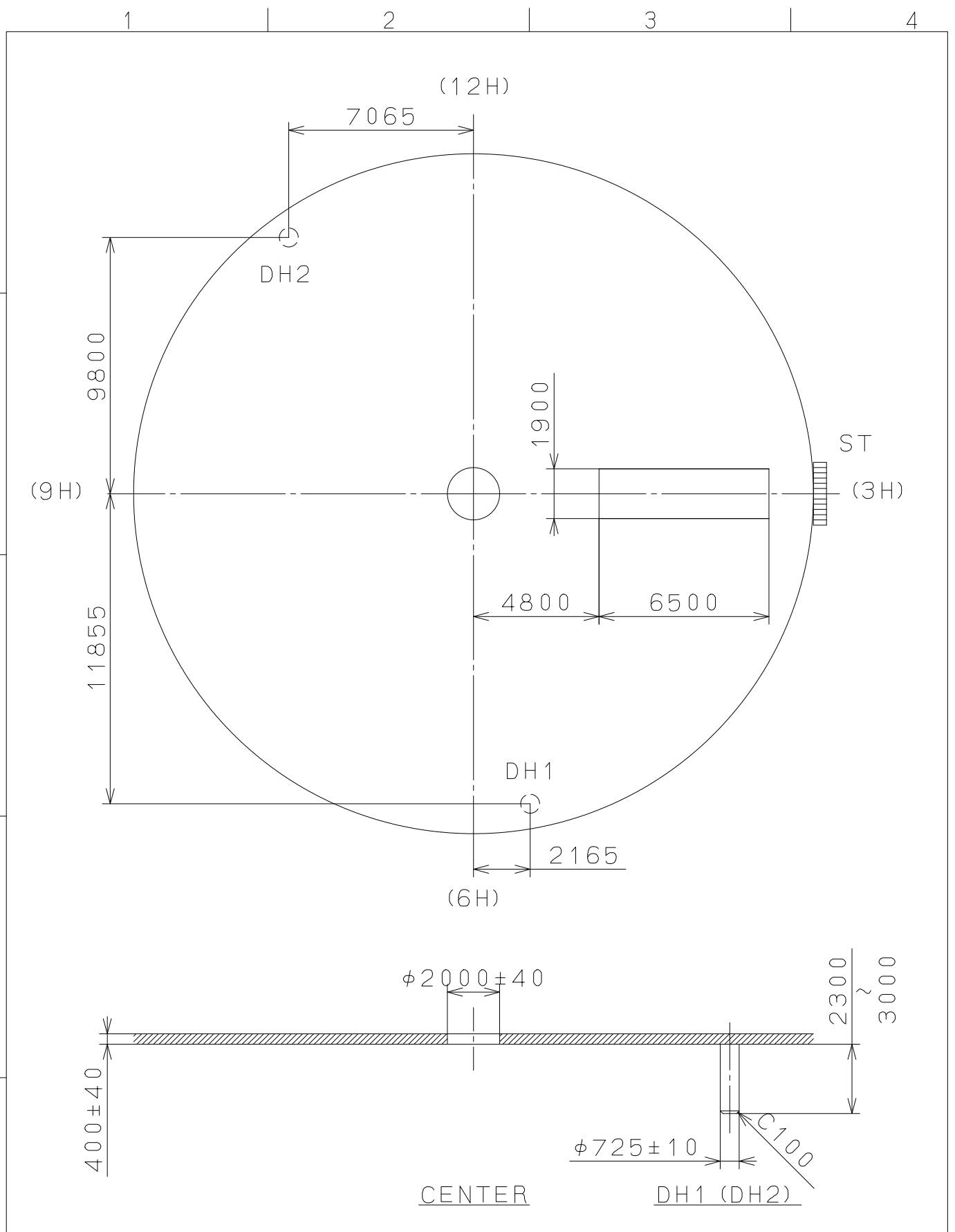


This drawing is provisional and subject to our reconfirmation and/or revision without notice.



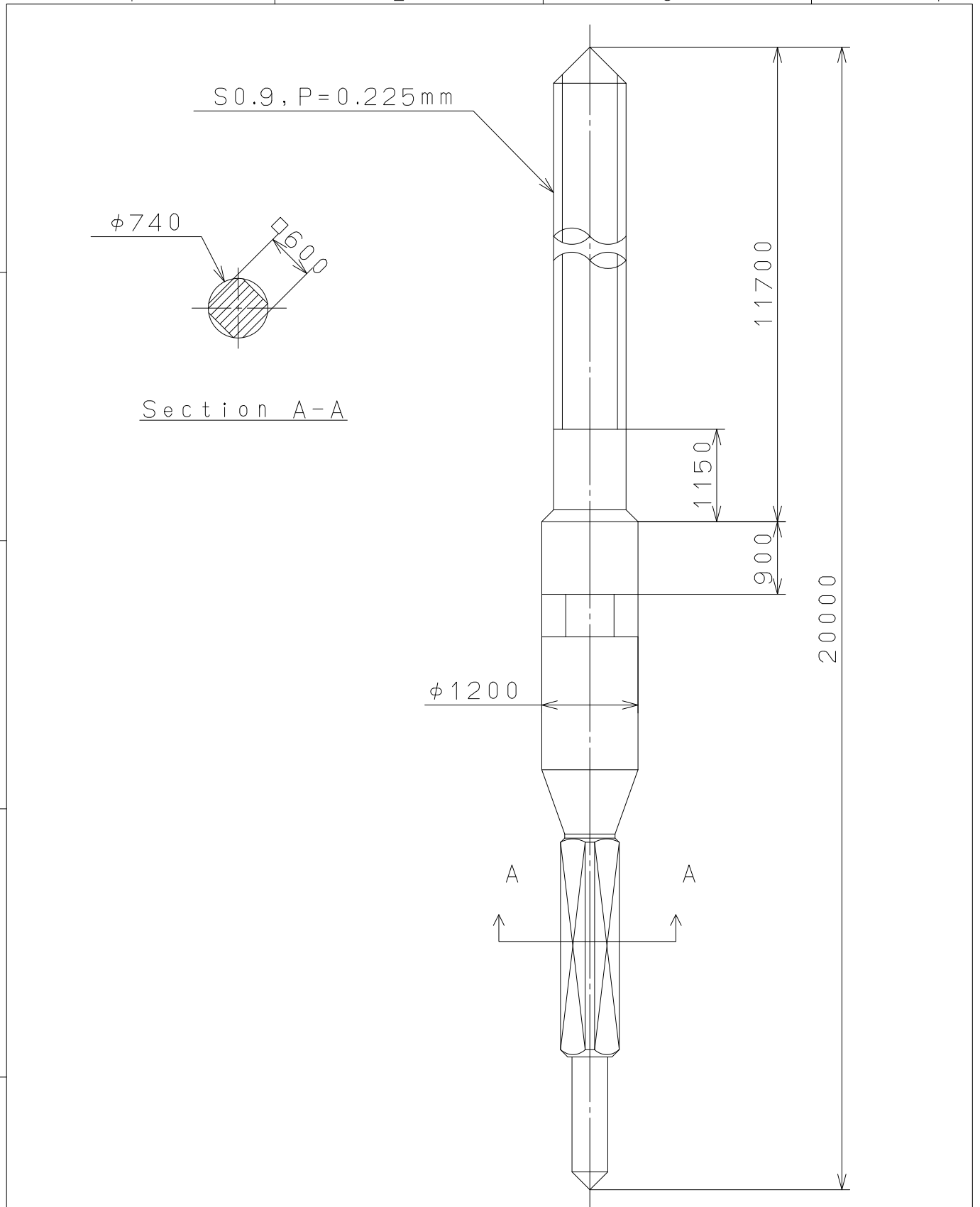
Material	Alterations	Quantity	Unit	Cal. NO.:
Heat Treatment	Date	1	1/1000 mm	8205
Hardness	Description	Scale	6 : 1	Parts No.:
Plating	Approved	Date		
	Checked	Drawn		
	Approved			
General Tolerances			Name: Frame for Case	
Dimensions			Drawing No.: 820500C1	
Angles			MIYOTA	
			CITIZEN WATCH CO., LTD. TOKYO, JAPAN	

This drawing is provisional and subject to our reconfirmation and/or revision without notice.



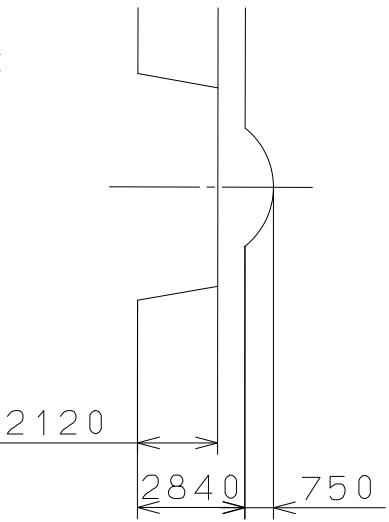
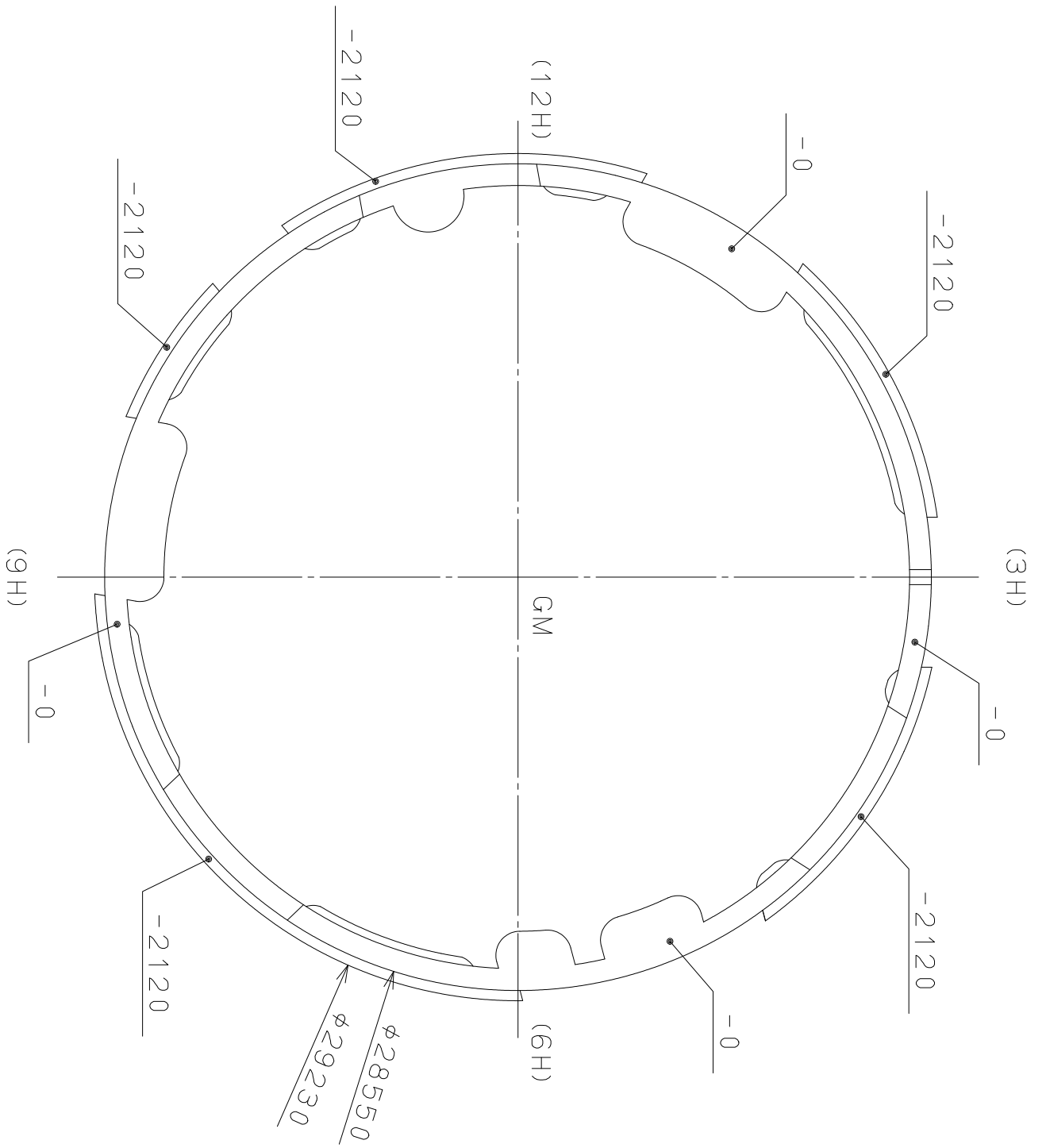
△			Quantity		Cal.NO.:
△			Unit	1 / 1000 mm	8205-3SA
△			Scale	5 : 1	Parts No.:
△			Date		
△			Drawn		
Mark	Date	Description	Appr.	Checked	Name:
		Alterations	Approved	D. Yamada	Indications for Dial
Material					Drawing No.: 820500D0
Heat Treatment				General Tolerances	MIYOTA
Hardness				Dimensions	
Plating				Angles	
					CITIZEN WATCH CO., LTD. TOKYO, JAPAN

This drawing is provisional and subject to our reconfirmation and/or revision without notice.

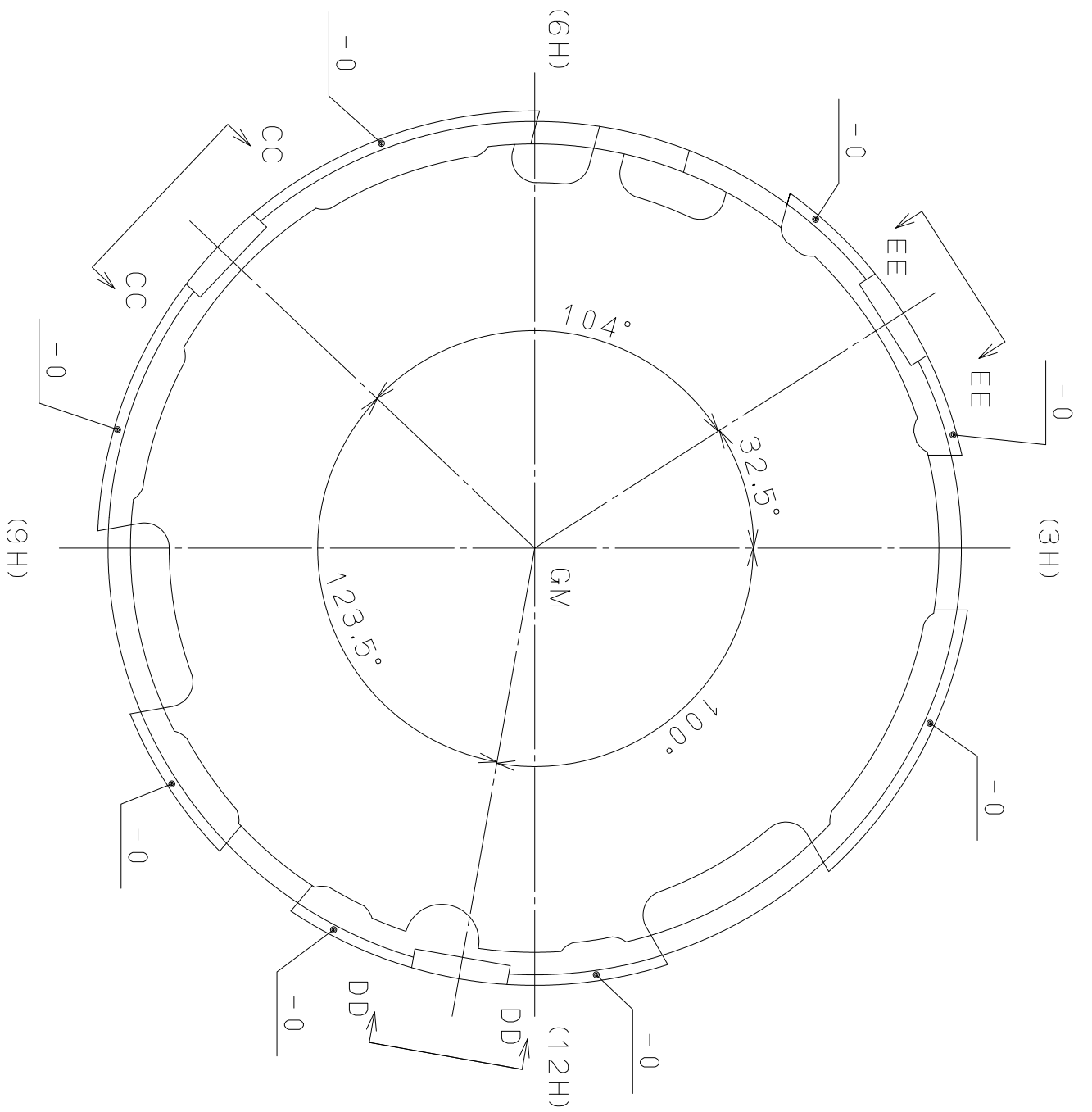


△5			Quantity		Cal.NO.:
△4			Unit	1/1000mm	
△3			Scale	15:1	Parts No.:
△2			Date		065-212
△1			Drawn		Name:
Mark	Date	Description	Appr.	Checked	D. Yamada
Alterations			Approved	SETTING STEM	
Material					Drawing No.: 212000S0
Heat Treatment					MIYOTA CITIZEN WATCH CO., LTD. TOKYO, JAPAN
Hardness	General Tolerances				
Plating	Dimensions				
	Angles				

F



View CC-CC
DD-DD, EE-EE



Quantity	Unit	1/1000 mm	Cal. NO.:
Scale	Scale	5 : 1	Parts No.:
Date	Date		500-710
Drawn	Drawn		
Checked	Checked		
Approved	Approved	D. Yamada	Name:
Alterations	Alterations		Casing Holder
Material	Material		Drawing No.: 820500E0
Heat Treatment	Heat Treatment		
Hardness	Hardness		
Plating	Plating		
General Tolerances	General Tolerances		
Dimensions	Dimensions		
Angles	Angles		

MIYOTA
CITIZEN WATCH CO., LTD. TOKYO, JAPAN