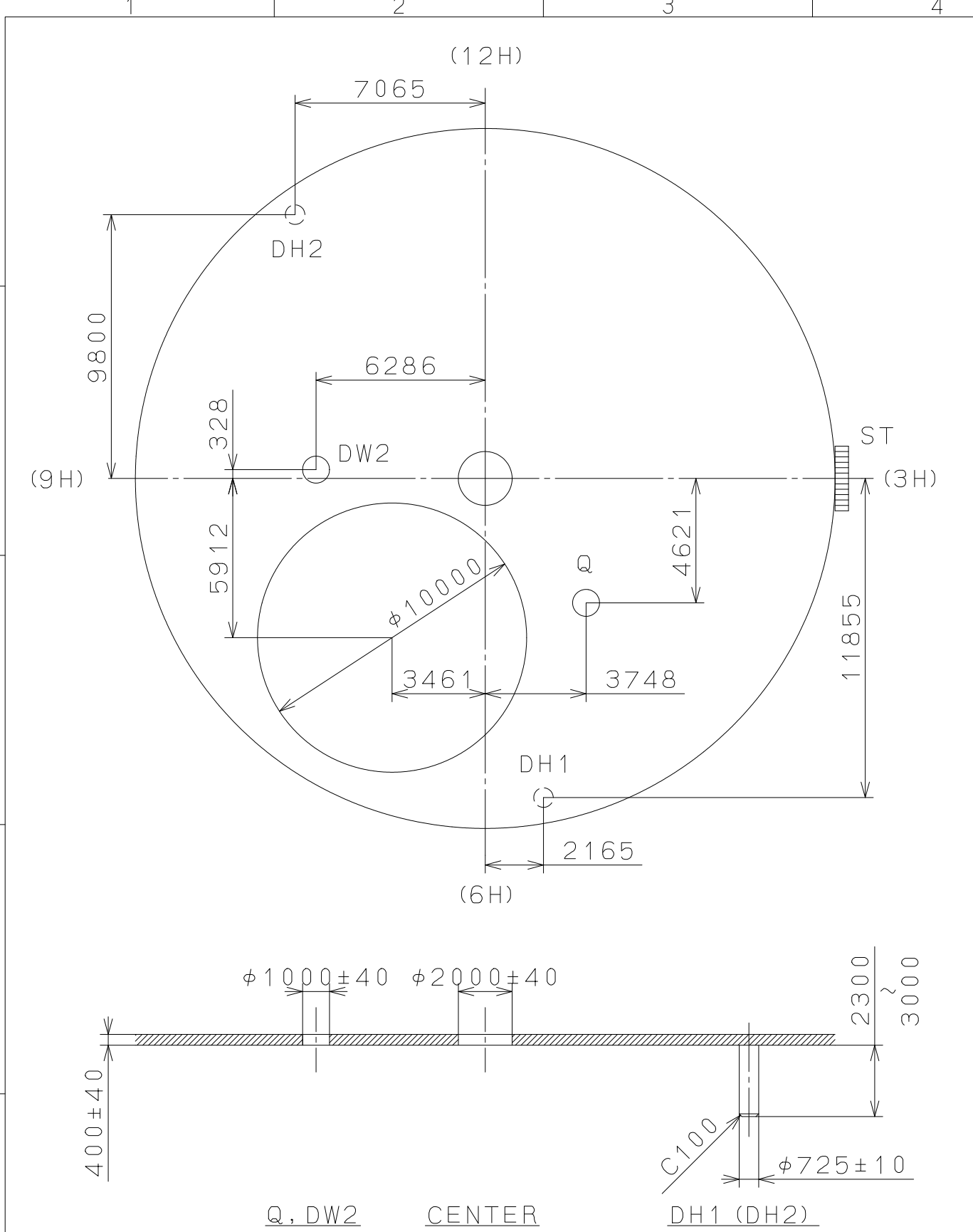


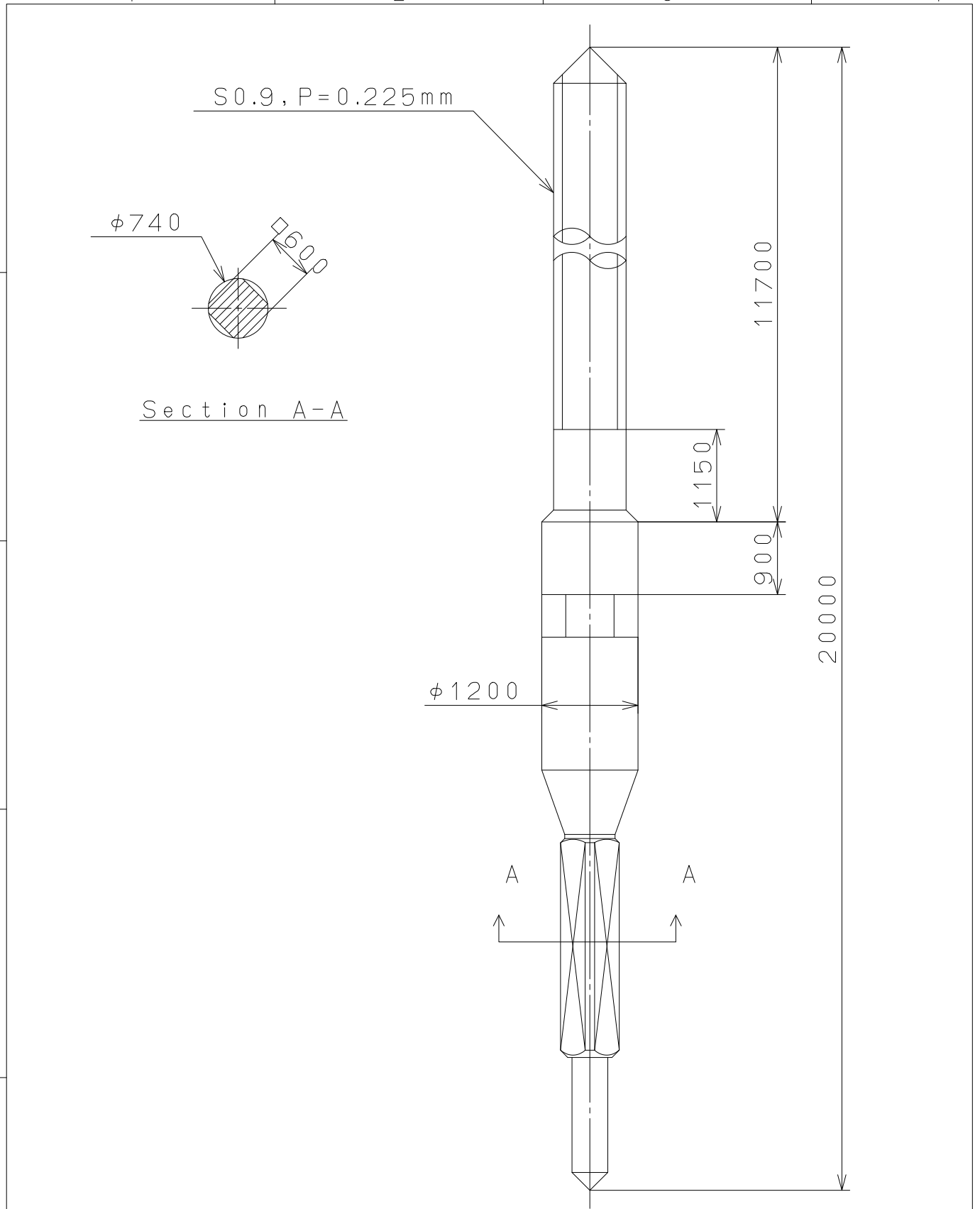
| | | | | | | |
|--------------------|-------------|-------|--------------------------------------|----------|-------|------------|
| Material | Alterations | Mark | Date | Quantity | Unit | Cal. NO.: |
| Heat Treatment | Description | Date | Checked | 1 / 1000 | mm | 82S7 |
| Hardness | Appr. | Drawn | Approved | Scale | 7 : 1 | Parts No.: |
| Plating | | | | | | |
| General Tolerances | | | Name: Frame for Case | | | |
| Dimensions | | | Drawing No.: 82S700C1 | | | |
| Angles | | | Miyota | | | |
| | | | CITIZEN WATCH CO., LTD. TOKYO, JAPAN | | | |

This drawing is provisional and subject to our reconfirmation and/or revision without notice.

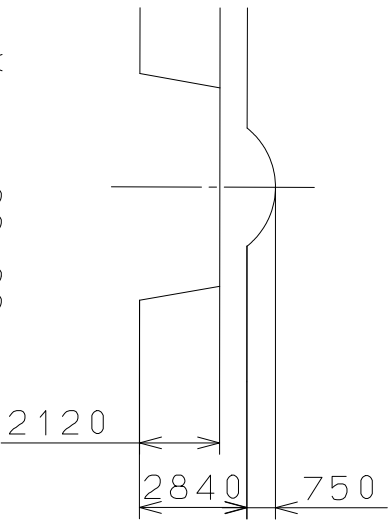
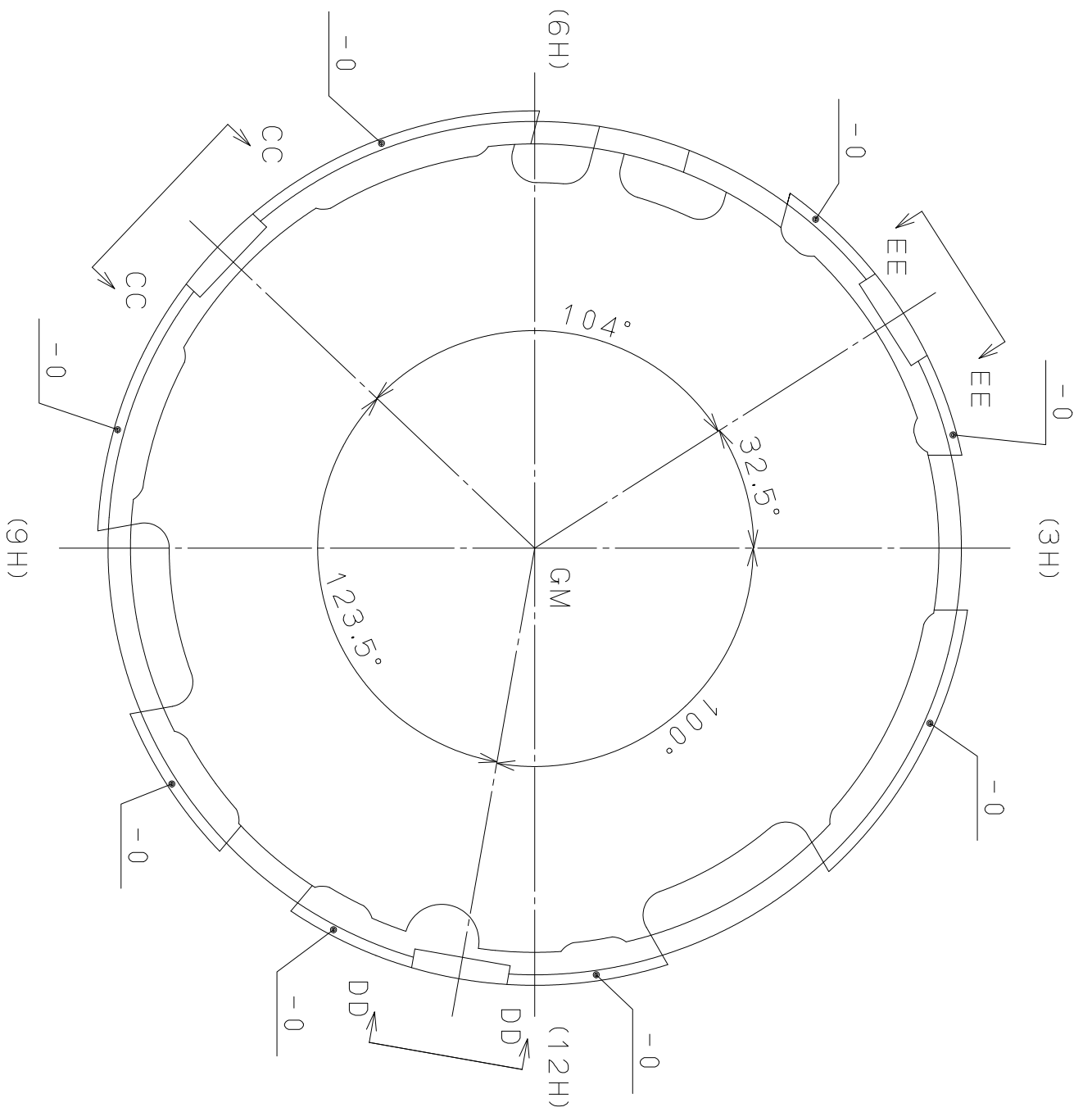
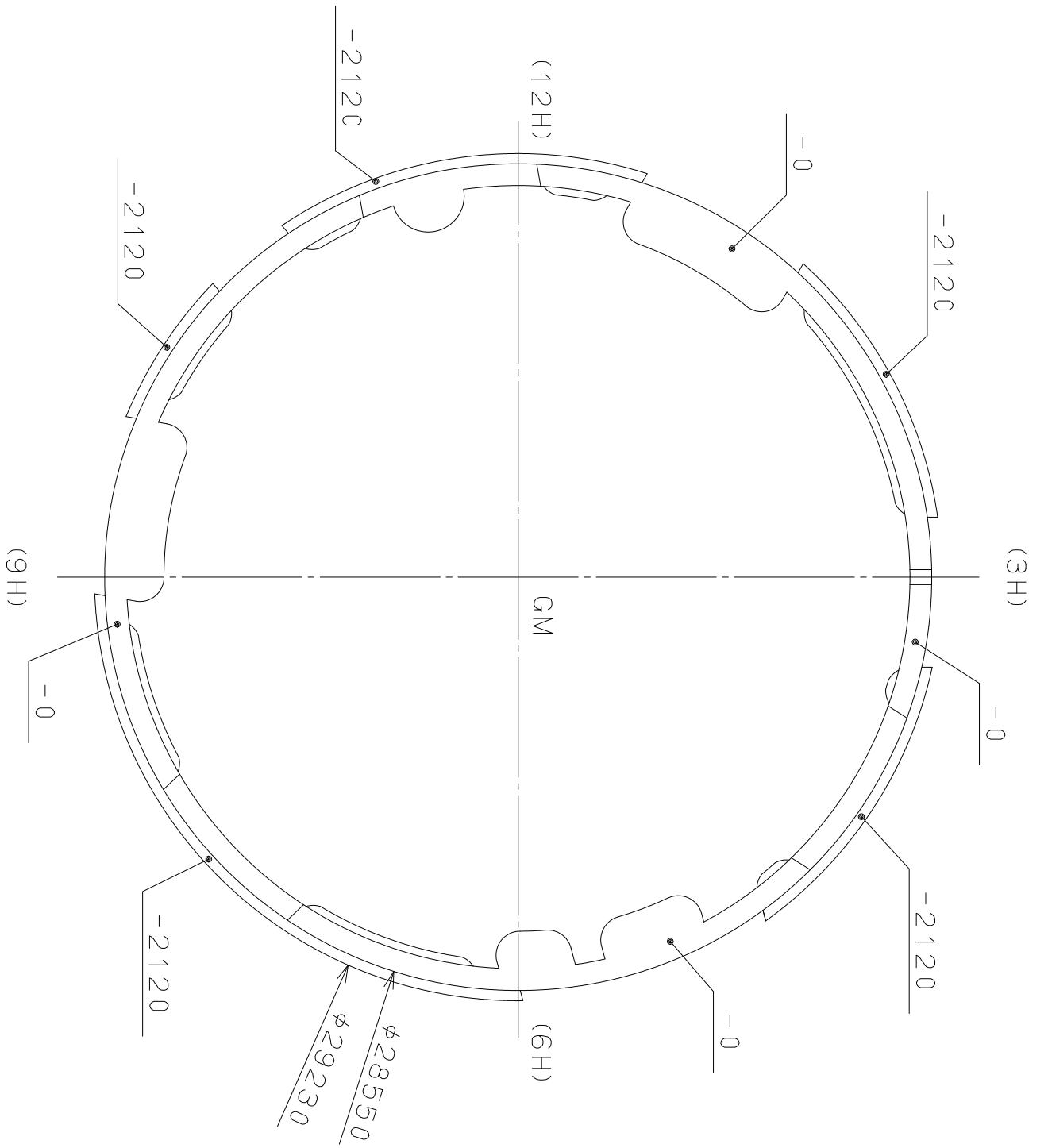


| | | | | | |
|----------------|------|-------------|----------|----------------------|-----------------------|
| △ | | | Quantity | | Cal.NO.: |
| △ | | | Unit | 1/1000 _{mm} | 82S7-43G |
| △ | | | Scale | 5 : 1 | Parts No.: |
| △ | | | Date | | |
| △ | | | Drawn | | |
| Mark | Date | Description | Appr. | Checked | Name: |
| | | Alterations | Approved | D. Yamada | |
| Material | | | | | Indications for Dial |
| Heat Treatment | | | | | Drawing No.: 82S701D0 |
| Hardness | | | | | MIYOTA |
| Plating | | | | | |

This drawing is provisional and subject to our reconfirmation and/or revision without notice.



| | | | | | |
|----------------|------|-------------|----------|--------------|-------------------------------------------------------|
| △ | | | Quantity | | Cal.NO.: |
| △ | | | Unit | 1/1000mm | |
| △ | | | Scale | 15:1 | Parts No.: |
| △ | | | Date | | 065-212 |
| △ | | | Drawn | | Name: |
| Mark | Date | Description | Appr. | Checked | D. Yamada |
| Alterations | | | Approved | SETTING STEM | |
| Material | | | | | Drawing No.: 212000S0 |
| Heat Treatment | | | | | MIYOTA CITIZEN WATCH CO., LTD. TOKYO, JAPAN |
| Hardness | | | | | |
| Plating | | | | | |



View CC-CC
DD-DD, EE-EE

| | | | |
|----------------|-------------|--------------------|---------------|
| Quantity | 1 / 1000 mm | Cal. NO.: | |
| Unit | mm | Parts No.: | 500-710 |
| Scale | 5 : 1 | Date | |
| Date | | Drawn | |
| Mark | | Date | |
| Date | | Description | Checked |
| Date | | Approved | D. Yamada |
| Alterations | | Material | |
| Material | | Heat Treatment | |
| Heat Treatment | | Hardness | |
| Hardness | | Plating | |
| Plating | | General Tolerances | |
| | | Dimensions | |
| | | Angles | |
| Name: | | | Casing Holder |
| Drawing No.: | | | 820500E0 |

MIYOTA
CITIZEN WATCH CO., LTD. TOKYO, JAPAN