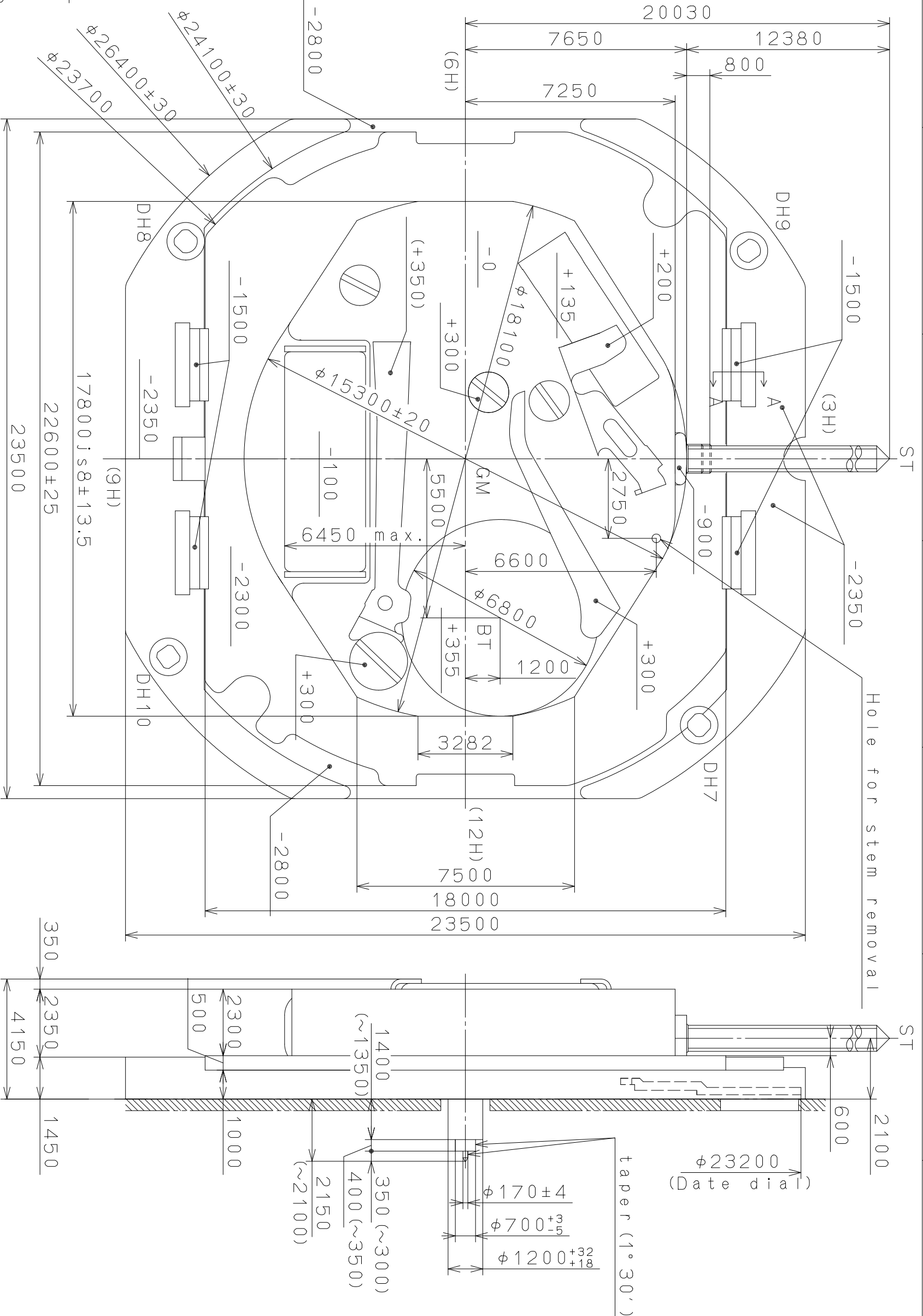


This drawing is provisional and subject to our reconfirmation and/or revision without notice.

Coordinates

Mark	X	Y
GM	0	0
DH7	9207	8080
DH8	-7522	-9668
DH9	-7193	9800
DH10	6848	-10269

DH7~DH8=24390±20
DH9~DH10=24493±20



Section DHZ, 8, 9, 10

Calendar plate

Date dial
Calendar plate
Basement metal

9530 (GM~)

Basement metal

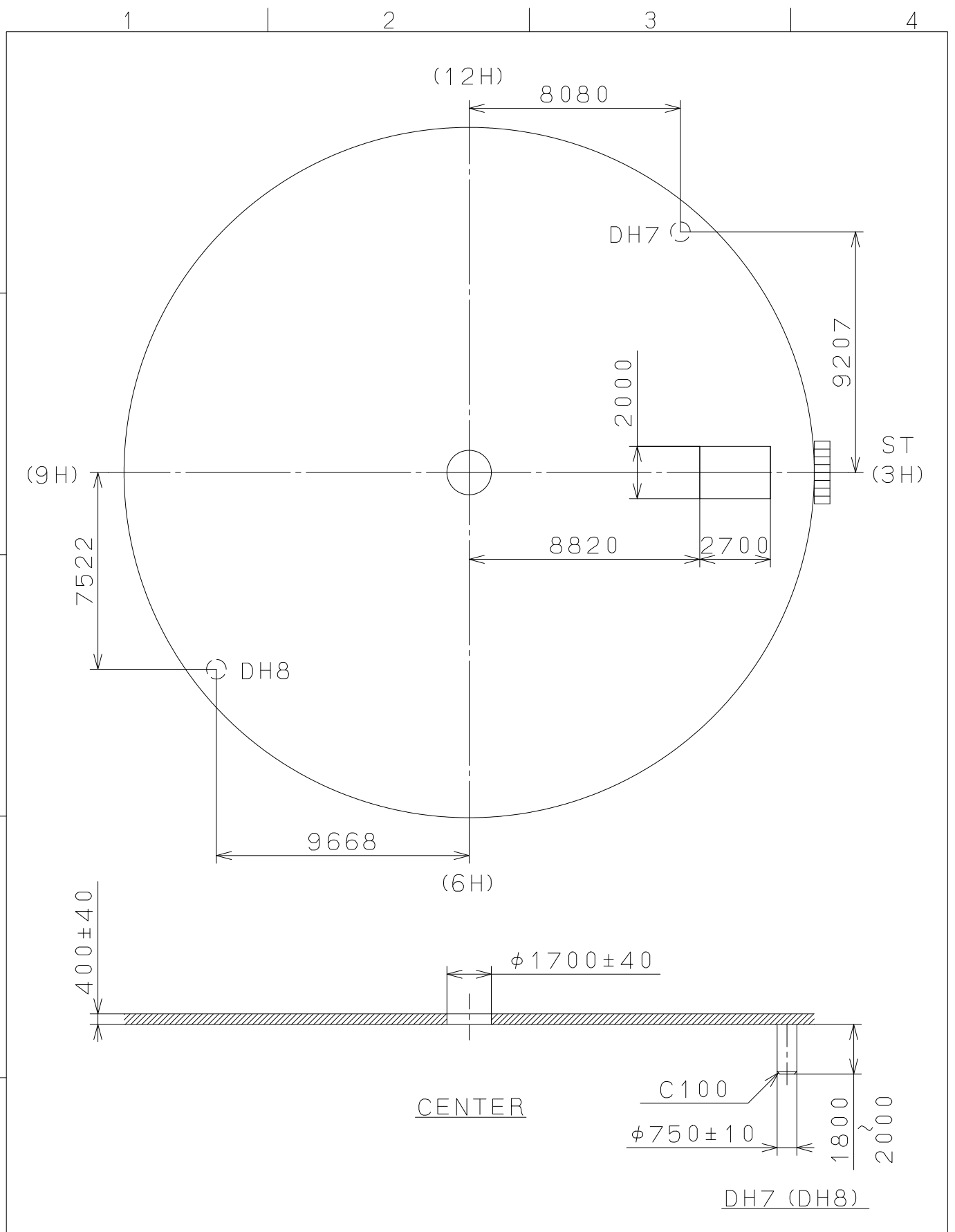
Date dial

Section A-A (other hook)

△	Quantity	Cal. NO.:	2317
△	Unit	1/1000 mm	
△	Scale	7 : 1	Parts No.:
△	Date		
△	Drawn		
△	Checked	D. Yamada	Name:
△	Approved		Frame for Case
△	Alterations		Drawing No.: 231700C0
△	Material		
△	Heat Treatment		
△	Hardness		
△	Plating		
△	General Tolerances		
△	Dimensions		
△	Angles		

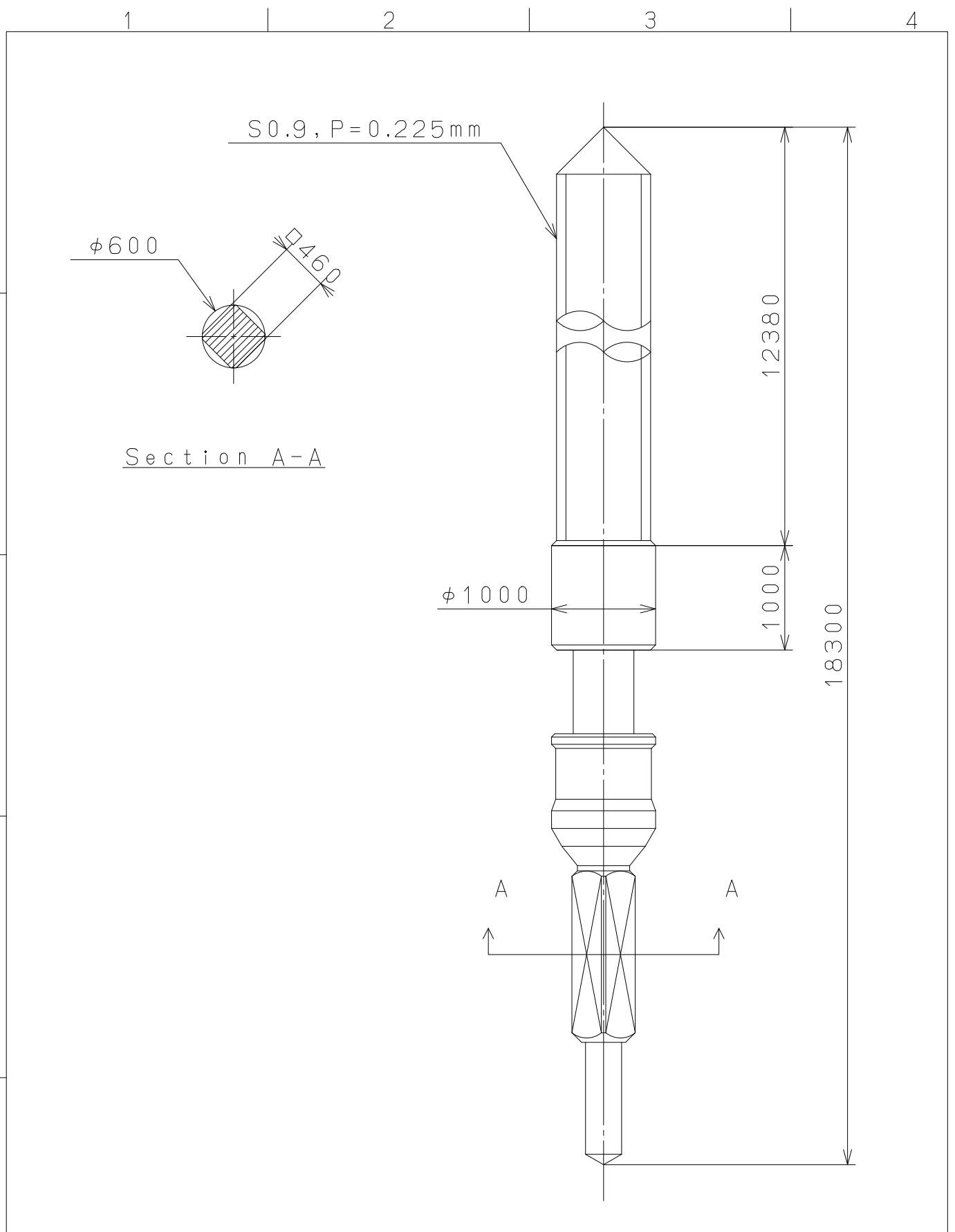
MİYOTA
CITIZEN WATCH CO., LTD. TOKYO, JAPAN

This drawing is provisional and subject to our reconfirmation and/or revision without notice.



△			Quantity		Cal.NO.:
△			Unit	1 / 1000 mm	2317-20A
△			Scale	5 : 1	Parts No.:
△			Date		
△			Drawn		
Mark	Date	Description	Appro.	Checked	Name:
		Alterations	Approved	D. Yamada	Indications for Dial
Material					Drawing No.: 231700D0
Heat Treatment			General Tolerances		MIYOTA
Hardness			Dimensions		
Plating			Angles		
					CITIZEN WATCH CO., LTD. TOKYO, JAPAN

This drawing is provisional and subject to our reconfirmation and/or revision without notice.



△5			Quantity		Cal.NO.:
△4			Unit	1 / 1000 mm	
△3			Scale	20 : 1	Parts No.:
△2			Date		065-299
△1			Drawn		
Mark	Date	Description	Appr.	Checked	D. Yamada
Alterations			Approved	Name:	
			SETTING STEM		
Material					Drawing No.: 299000S0
Heat Treatment					MIYOTA CITIZEN WATCH CO., LTD. TOKYO, JAPAN
Hardness					
Plating					