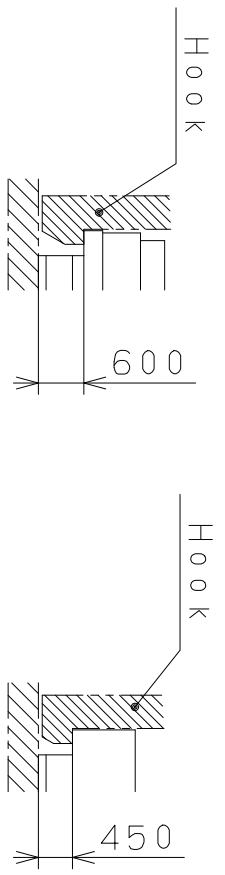
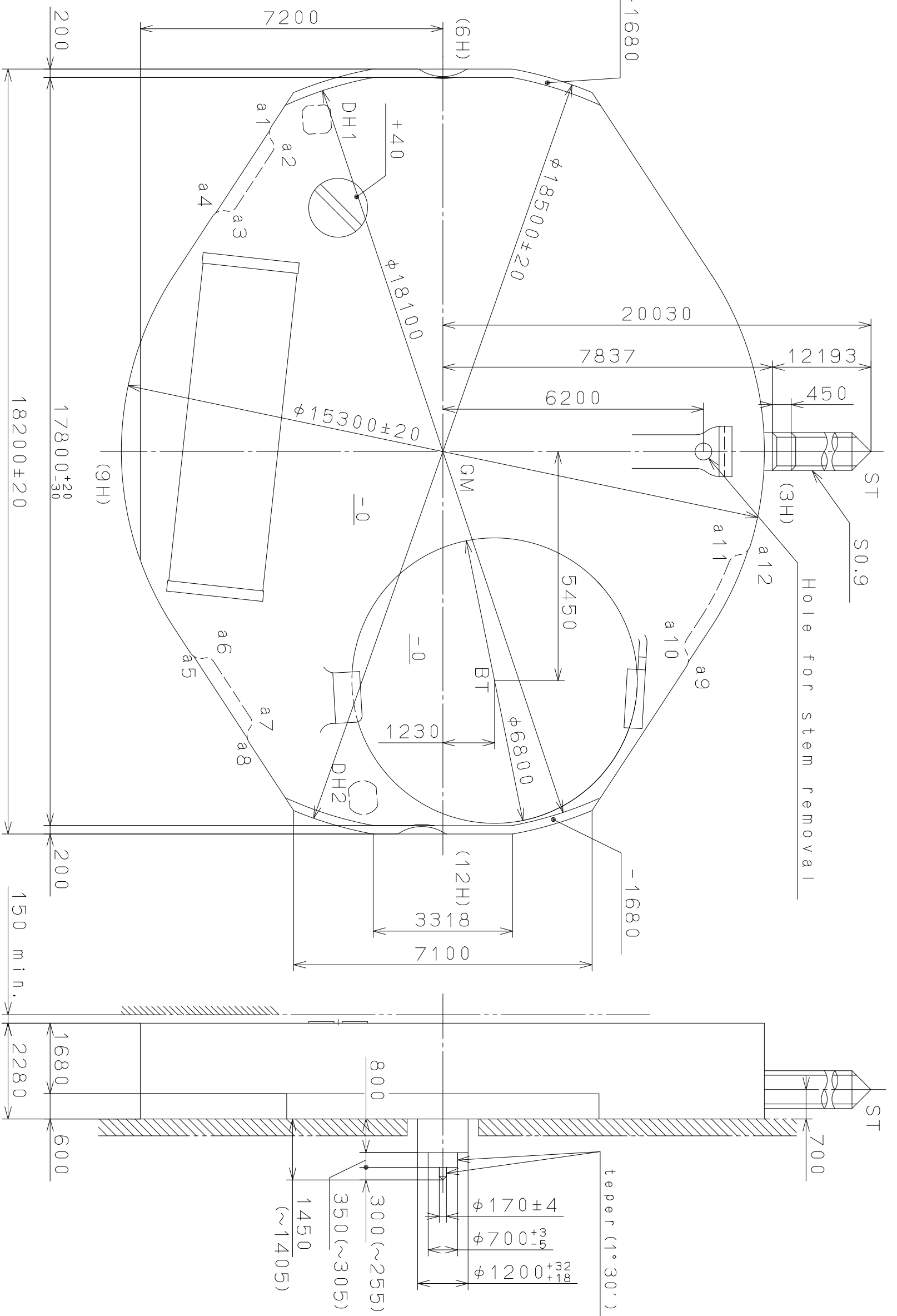


This drawing is provisional and subject to our reconfirmation and/or revision without notice.

DH1~DH2=16171±20

| Coordinates | | | |
|-------------|-------|-------|-----|
| Mark | X | Y | R |
| GM | 0 | 0 | — |
| DH1 | -7900 | -3000 | — |
| DH2 | 8234 | -1900 | — |
| a1 | -7569 | -3828 | 300 |
| a2 | -7252 | -4215 | 200 |
| a3 | -5914 | -5092 | 200 |
| a4 | -5433 | -5228 | 300 |
| a5 | 4625 | -5757 | 300 |
| a6 | 5106 | -5621 | 200 |
| a7 | 6444 | -4745 | 200 |
| a8 | 6761 | -4358 | 300 |
| a9 | 4947 | 5546 | 300 |
| a10 | 4628 | 6054 | 300 |
| a11 | 2754 | 7083 | 300 |
| a12 | 2157 | 7026 | 300 |



Section a1~a4, a5~a8

Section a9~a12

| Mark | Date | Description | Appr. | Checked | Drawn | Name: |
|----------------|------|-------------|----------|---------|-------|-----------------------|
| Alterations | | | Approved | | | D. Yamada |
| Material | | | | | | Frame for Case |
| Heat Treatment | | | | | | Drawing No.: GL3200C1 |
| Hardness | | | | | | |
| Plating | | | | | | |

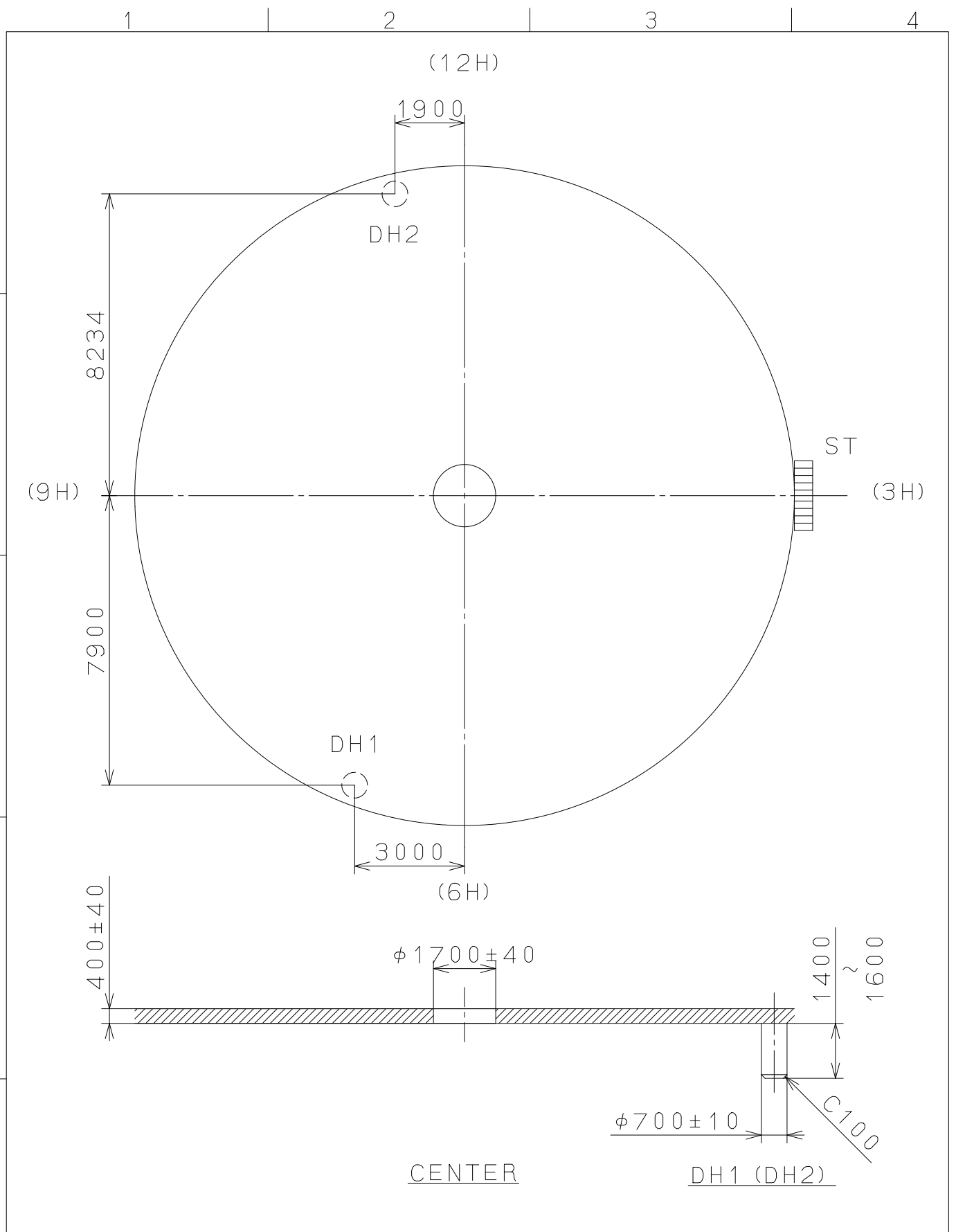
| Quantity | Unit | Cal. NO.: |
|----------|-----------|------------|
| 1 | 1/1000 mm | GL32 |
| Scale | Date | Parts No.: |
| 10:1 | | |

| Material | General Tolerances |
|----------|--------------------|
| | |

| Material | Dimensions | Angles |
|----------|------------|--------|
| | | |

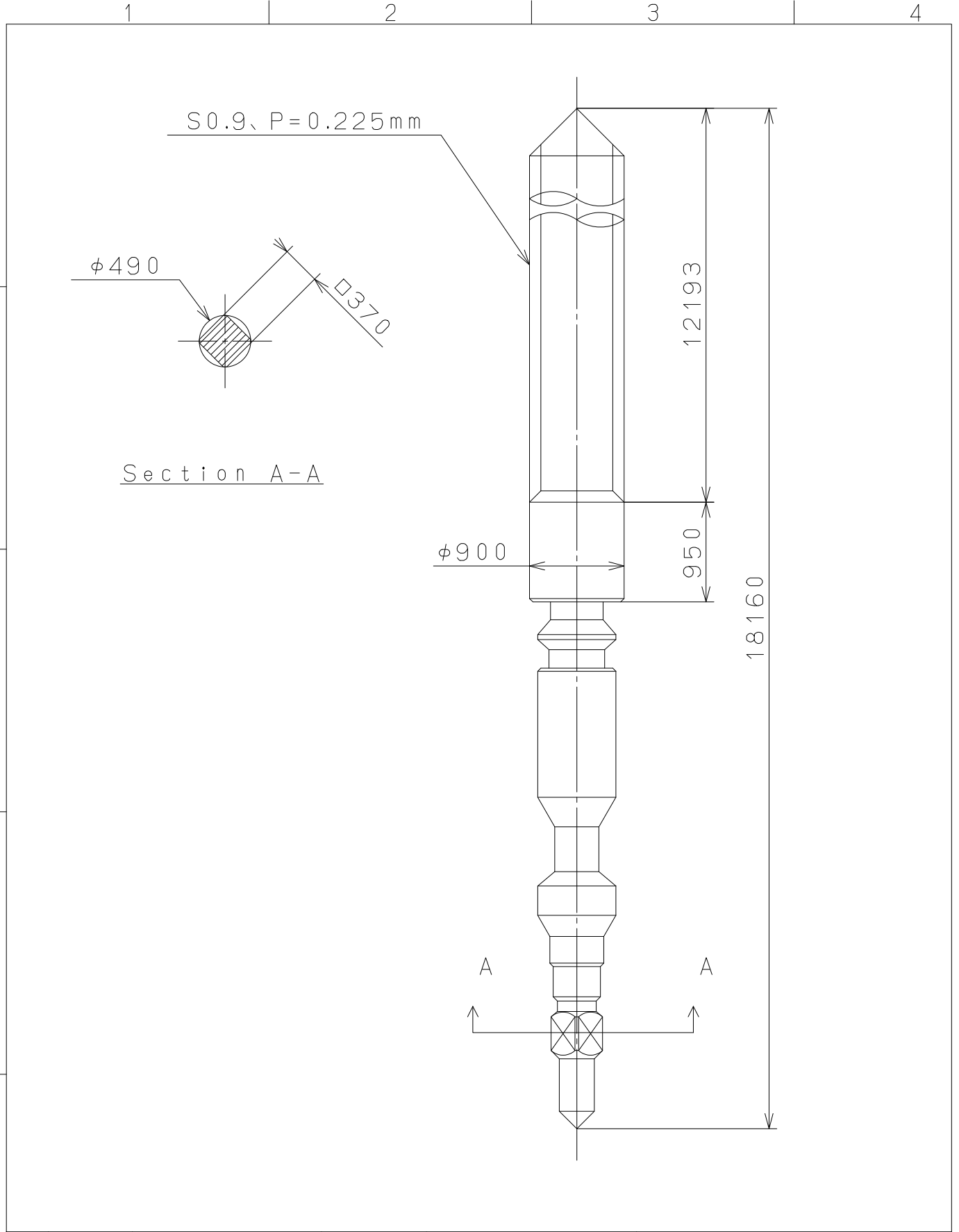
MIYOTA
CITIZEN WATCH CO., LTD. TOKYO, JAPAN

This drawing is provisional and subject to our reconfirmation and/or revision without notice.



| | | | | | |
|----------------|------|-------------|--------------------|-------------|--------------------------------------|
| △ | | | Quantity | | Cal.NO.: |
| △ | | | Unit | 1 / 1000 mm | GL32-10A |
| △ | | | Scale | 7 : 1 | Parts No.: |
| △ | | | Date | | |
| △ | | | Drawn | | |
| Mark | Date | Description | Appr. | Checked | Name: |
| | | Alterations | Approved | D. Yamada | Indications for Dial |
| Material | | | | | Drawing No.: GL3200D0 |
| Heat Treatment | | | General Tolerances | | MIYOTA |
| Hardness | | | Dimensions | | |
| Plating | | | Angles | | |
| | | | | | CITIZEN WATCH CO., LTD. TOKYO, JAPAN |

This drawing is provisional and subject to our reconfirmation and/or revision without notice.



| | | | | | |
|----------------|------|-------------|--------------------|---|-----------------------|
| △ | | | Quantity | | Cal.NO.: |
| △ | | | Unit | 1 / 1000 mm | |
| △ | | | Scale | 20 : 1 | Parts No.: |
| △ | | | Date | | 065-541 |
| △ | | | Drawn | | |
| Mark | Date | Description | Appr. | Checked | Name: |
| | | Alterations | Approved | D. Yamada | SETTING STEM |
| Material | | | | | Drawing No.: 541000S1 |
| Heat Treatment | | | General Tolerances | MIYOTA CITIZEN WATCH CO., LTD. TOKYO, JAPAN | |
| Hardness | | | Dimensions | | |
| Plating | | | Angles | | |