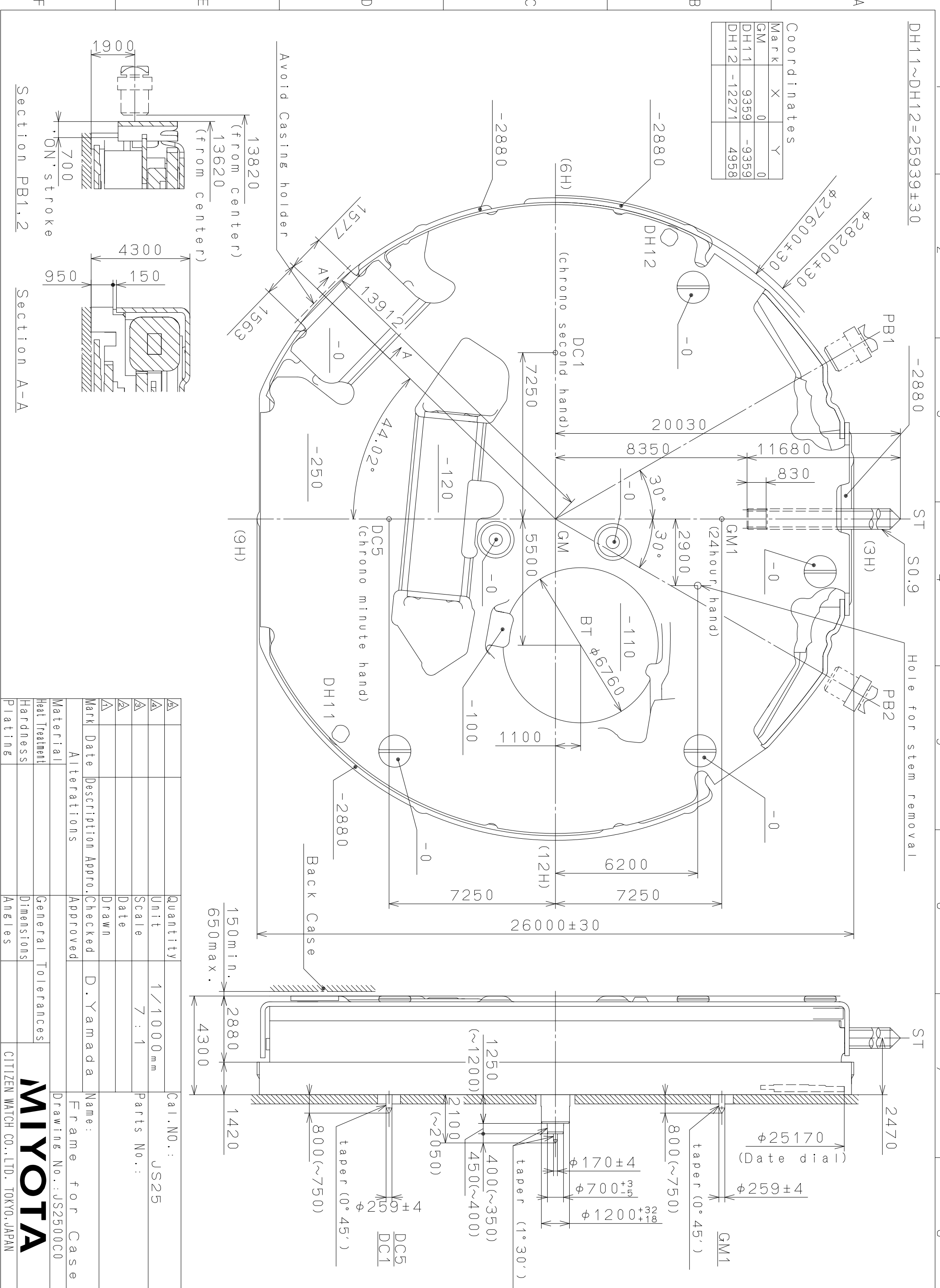


This drawing is provisional and subject to our reconfirmation and/or revision without notice.



Coordinates

Mark	X	Y
GM	0	0
DH11	9359	-9359
DH12	-12271	4958

Section PB1,2

Section A-A

Mark	Date	Description	Appro.	Checked	Drawn
Δ					
Δ					
Δ					
Δ					

Material	Alterations	Quantity	Unit	Cal. NO.:
Material			1/1000 mm	JS25
Heat Treatment			Scale	7 : 1
Hardness			Date	
Plating			Drawn	

Material	General Tolerances
Material	General Tolerances
Heat Treatment	Dimensions
Hardness	Angles
Plating	

MIYOTA
CITIZEN WATCH CO., LTD. TOKYO, JAPAN

Frame for Case
Drawing No.: JS2500C0

Name: D. Yamada

Parts No.:

Cal. NO.: JS25

Unit: 1/1000 mm

Scale: 7 : 1

Date:

Drawn:

Checked:

Appro.:

D. Yamada

Name:

Parts No.:

Cal. NO.:

Unit:

Scale:

Date:

Drawn:

Checked:

Appro.:

D. Yamada

Name:

Parts No.:

Cal. NO.:

Unit:

Scale:

Date:

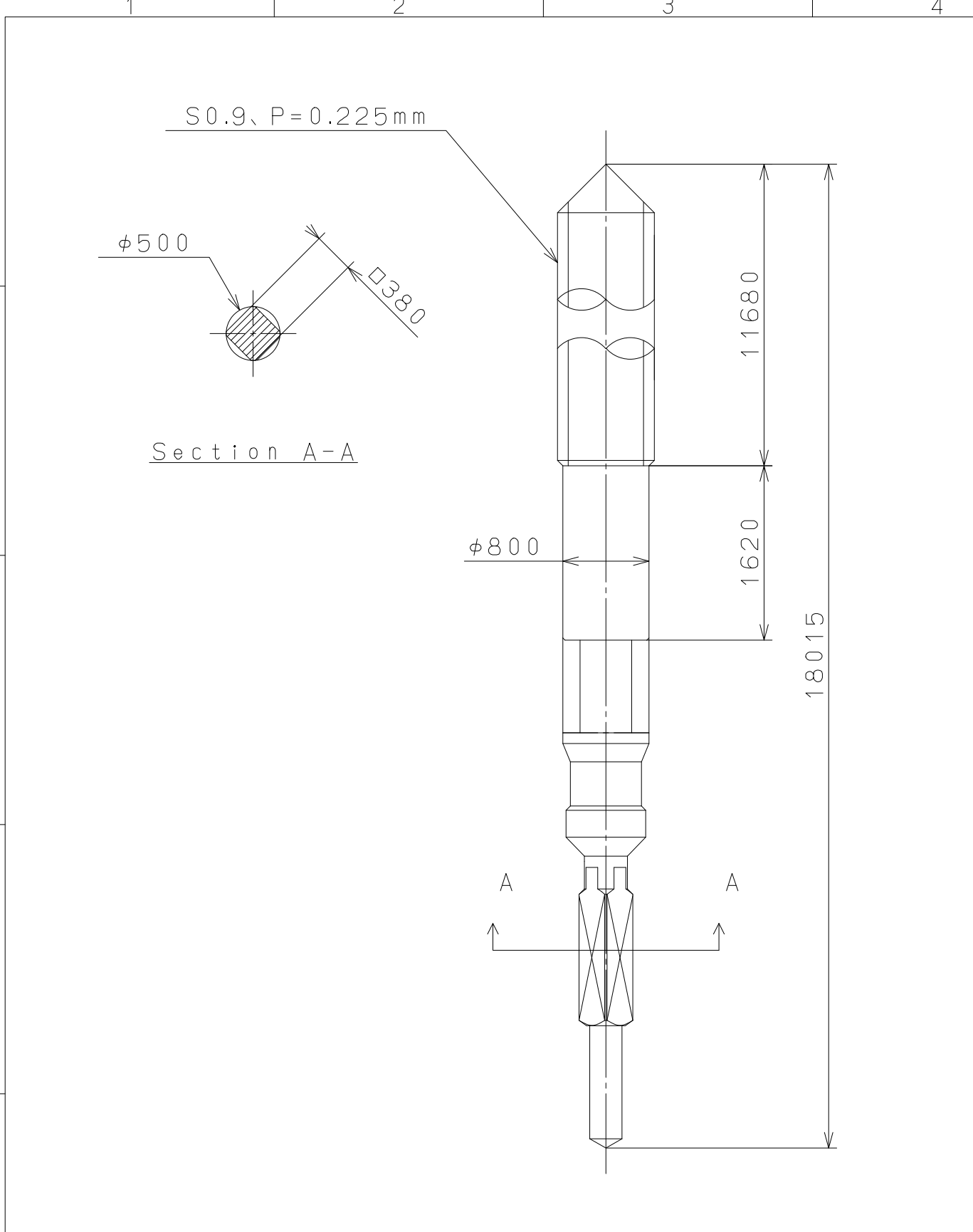
Drawn:

Checked:

Appro.:

D. Yamada

This drawing is provisional and subject to our reconfirmation and/or revision without notice.



⑤			Quantity		Cal.NO.:
④			Unit	1/1000 mm	
③			Scale	20:1	Parts No.:
②			Date		065-505
①			Drawn		
Mark	Date	Description	Appro.	Checked	D. Yamada
Alterations			Approved	Name: SETTING STEM	
Material					Drawing No.: 505000S0
Heat Treatment					MIYOTA
Hardness					
Plating					
					CITIZEN WATCH CO., LTD. TOKYO, JAPAN