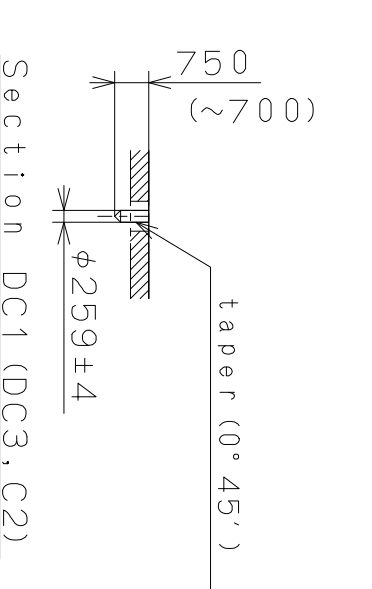
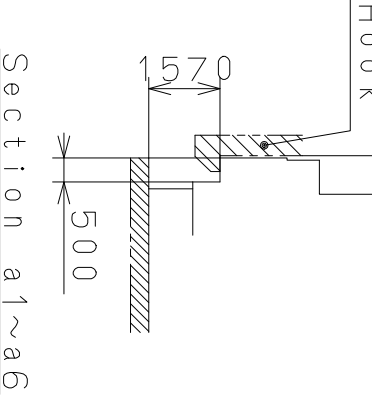
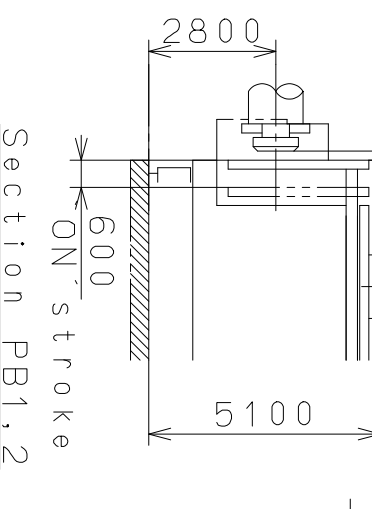
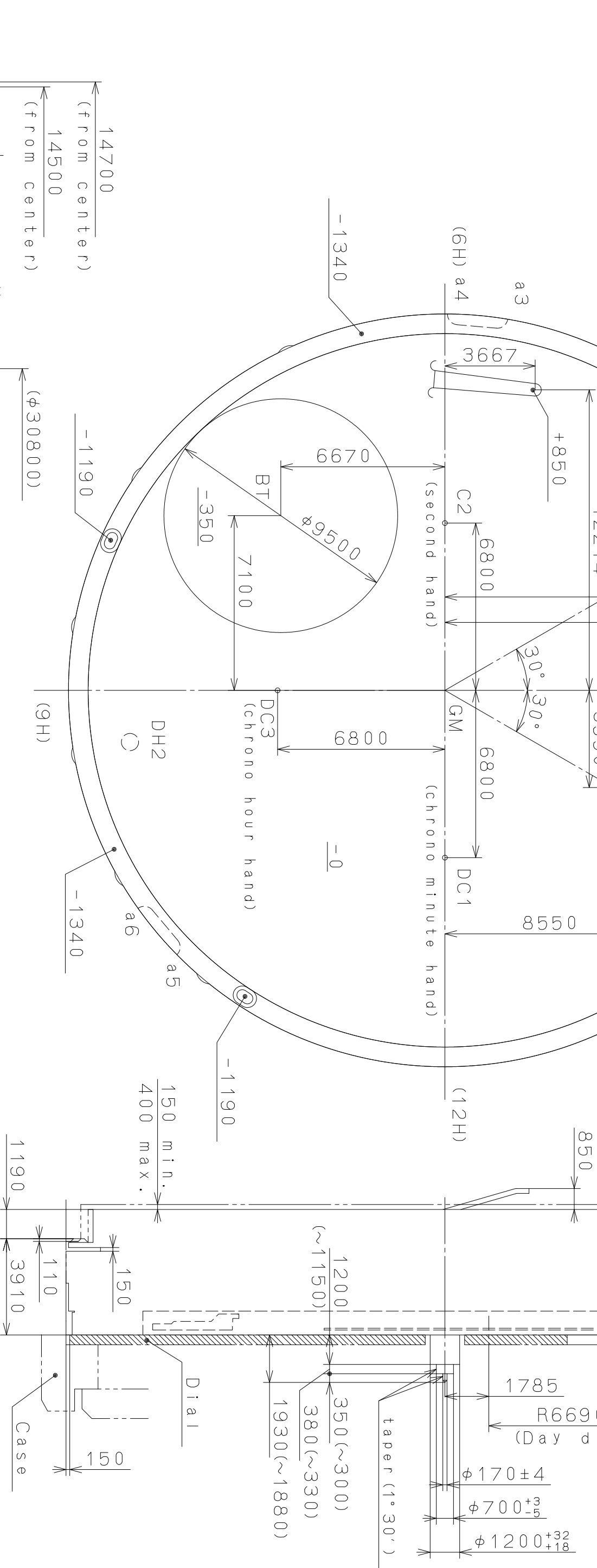


This drawing is provisional and subject to our reconfirmation and/or revision without notice.

DH1~DH2=25816±20

Coordinates			
Mark	X	Y	R
GM	0	0	—
DH1	3000	13000	—
DH2	2100	-12800	—
a1	3441	14908	430
a2	1360	14720	320
a3	-15151	2129	430
a4	-15291	535	430
a5	10434	-11190	430
a6	9208	-12219	430



Mark	Date	Description	Appro.	Checked	Drawn	Approved	Name:
Alterations							D. Yamada
Material							Frame for Case
Heat Treatment							Drawing No.: 0S0000C0
Hardness							
Plating							

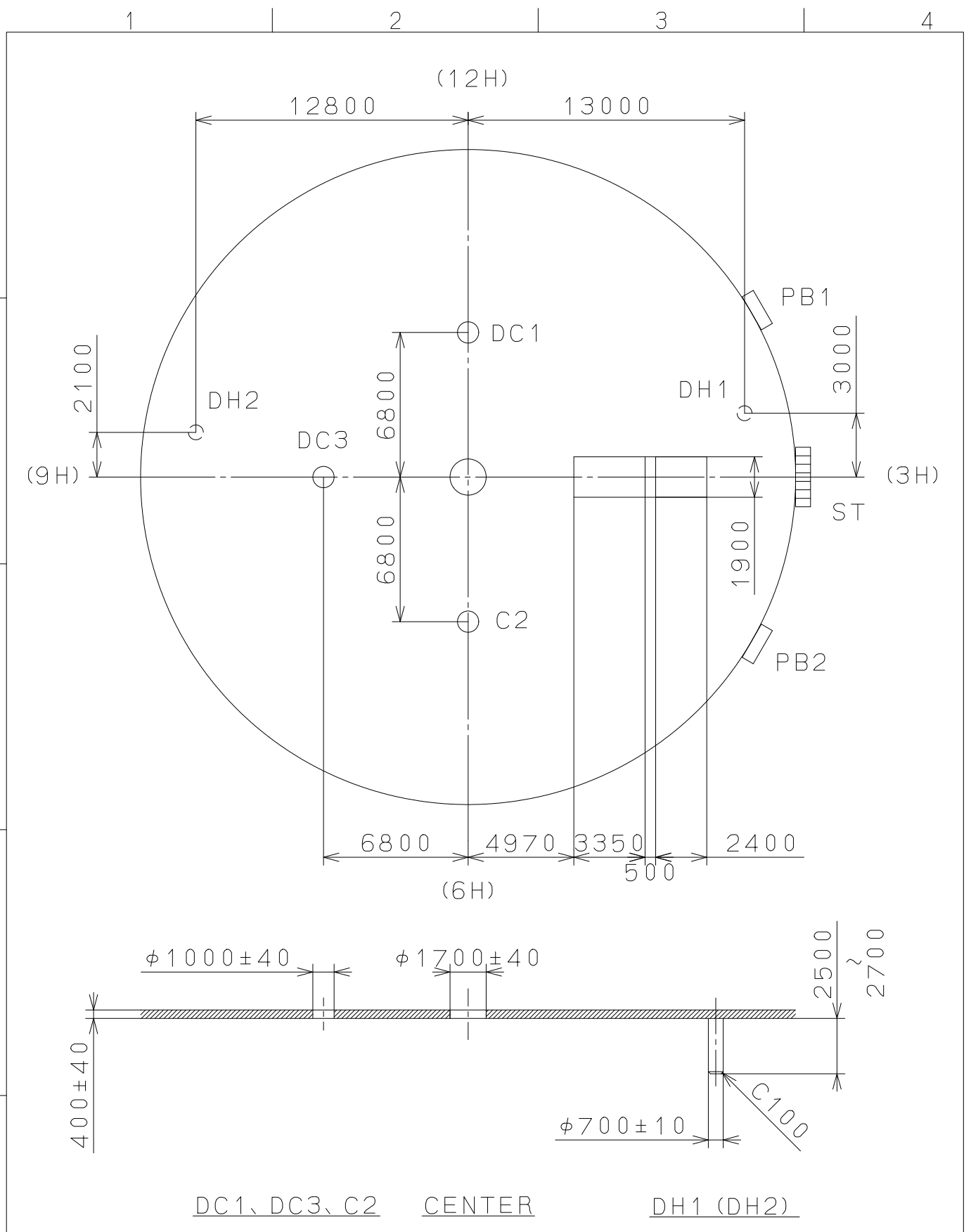
Quantity	Unit	Cal. NO.:
1	1/1000 mm	OS00
Scale	6 : 1	Parts No.:
Date		
Drawn		
Checked		
Approved		

General Tolerances	Dimensions	Angles

MIYOTA
CITIZEN WATCH CO., LTD. TOKYO, JAPAN

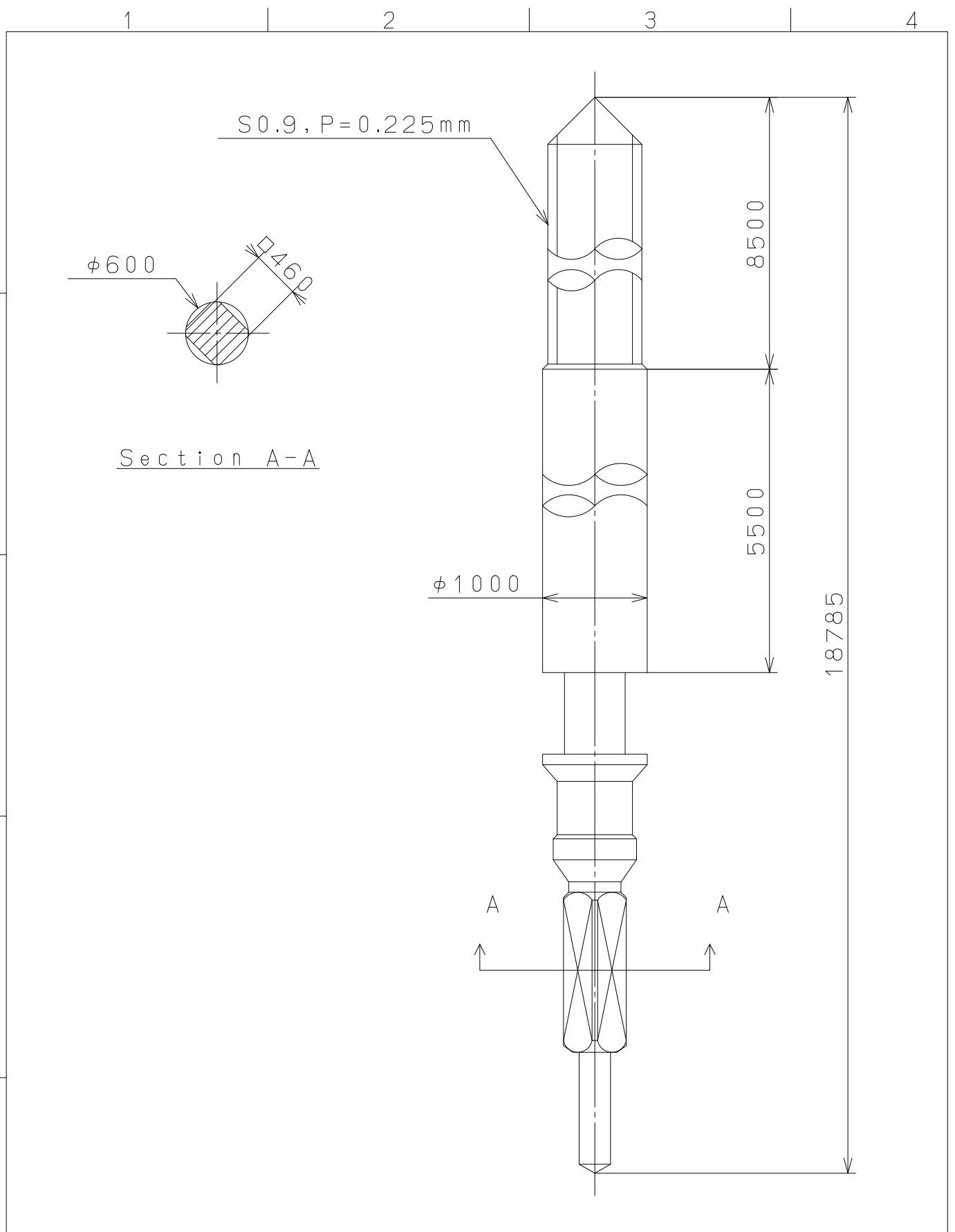
CONFIDENTIAL 2023/03/08 (11:29:11)

This drawing is provisional and subject to our reconfirmation and/or revision without notice.



△			Quantity		Cal.NO.:
△			Unit	1 / 1000 mm	OS00-10A
△			Scale	4 : 1	Parts No.:
△			Date		
△			Drawn		
Mark	Date	Description	Appr.	Checked	Name:
		Alterations	Approved	D. Yamada	Indications for Dial
Material					Drawing No.: OS0000D0
Heat Treatment			General Tolerances		MIYOTA
Hardness			Dimensions		
Plating			Angles		
					CITIZEN WATCH CO., LTD. TOKYO, JAPAN

This drawing is provisional and subject to our reconfirmation and/or revision without notice.



△5			Quantity		Cal.NO.:
△4			Unit	1 / 1000 mm	
△3			Scale	20 : 1	Parts No.:
△2			Date		065-453
△1			Drawn		
Mark	Date	Description	Appr.	Checked	D. Yamada
Alterations			Approved	Name: SETTING STEM	
Material					Drawing No.: 453000S0
Heat Treatment					MIYOTA
Hardness					
Plating					
			General Tolerances	CITIZEN WATCH CO., LTD. TOKYO, JAPAN	
			Dimensions		
			Angles		