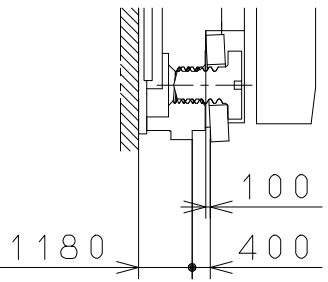
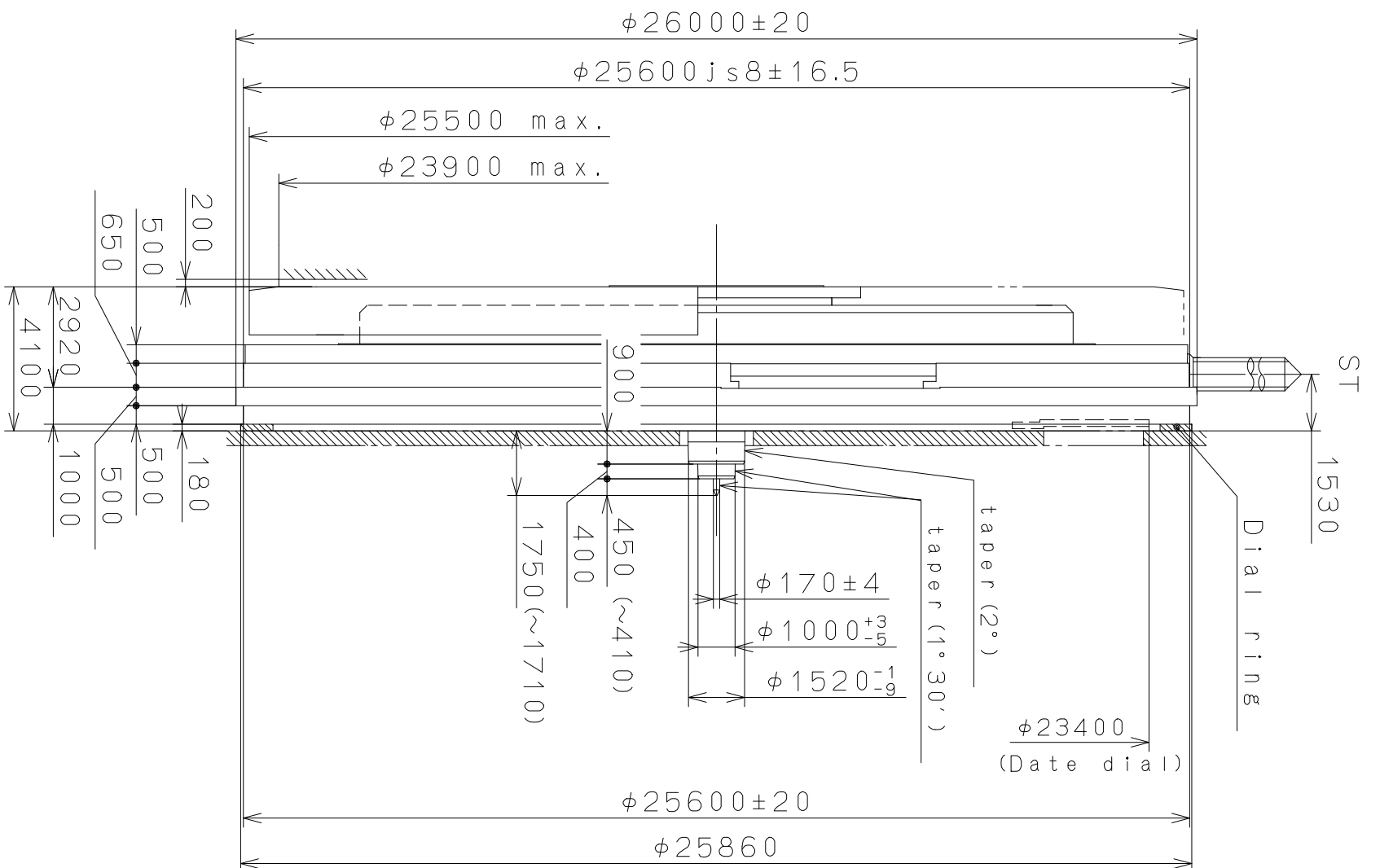
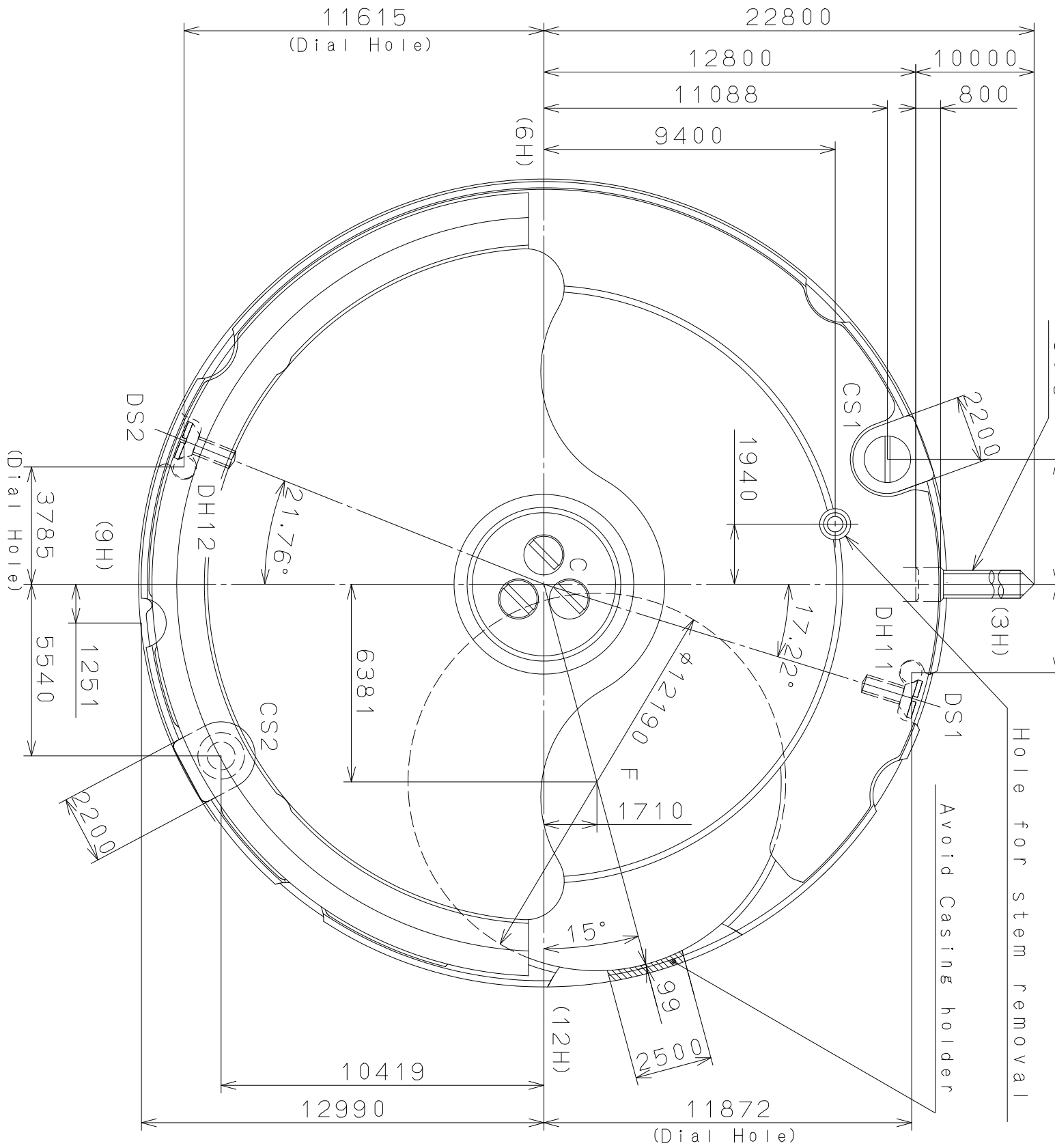
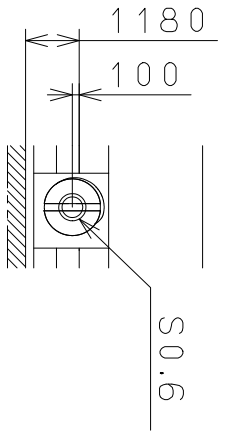


This drawing is provisional and subject to our reconfirmation and/or revision without notice.



Section CS1, CS2

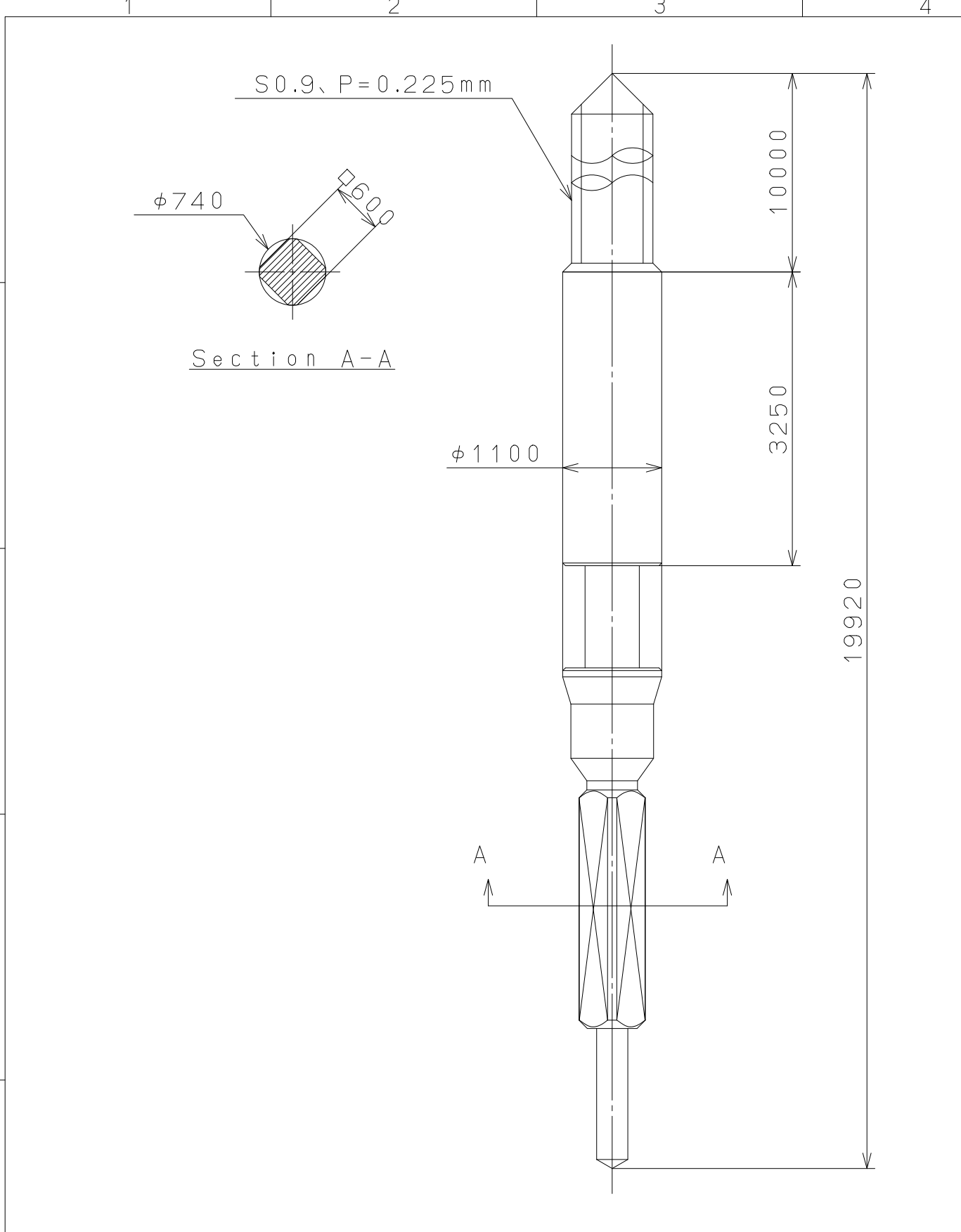


Section DS1, DS2

Material	Alterations	Date	Quantity	Unit	Cal. NO.:
Heat Treatment	Description	Checked	1	1/1000 mm	9019
Hardness	Apporo.	Drawn	Scale	6 : 1	Parts No.:
Plating	Approved	D. Yamada	Name:	Frame for Case	
			Drawing No.:	901900C0	
			General Tolerances		
			Dimensions		
			Angles		

MIYOTA
CITIZEN WATCH CO., LTD. TOKYO, JAPAN

This drawing is provisional and subject to our reconfirmation and/or revision without notice.



△5			Quantity		Cal.NO.:
△4			Unit	1 / 1000 mm	
△3			Scale	17 : 1	Parts No.:
△2			Date		065-A05
△1			Drawn		Name:
Mark	Date	Description	Appr.	Checked	D. Yamada
Alterations			Approved	SETTING STEM	
Material					Drawing No.: A05000S0
Heat Treatment	General Tolerances				MIYOTA
Hardness	Dimensions				
Plating	Angles				
					CITIZEN WATCH CO., LTD. TOKYO, JAPAN