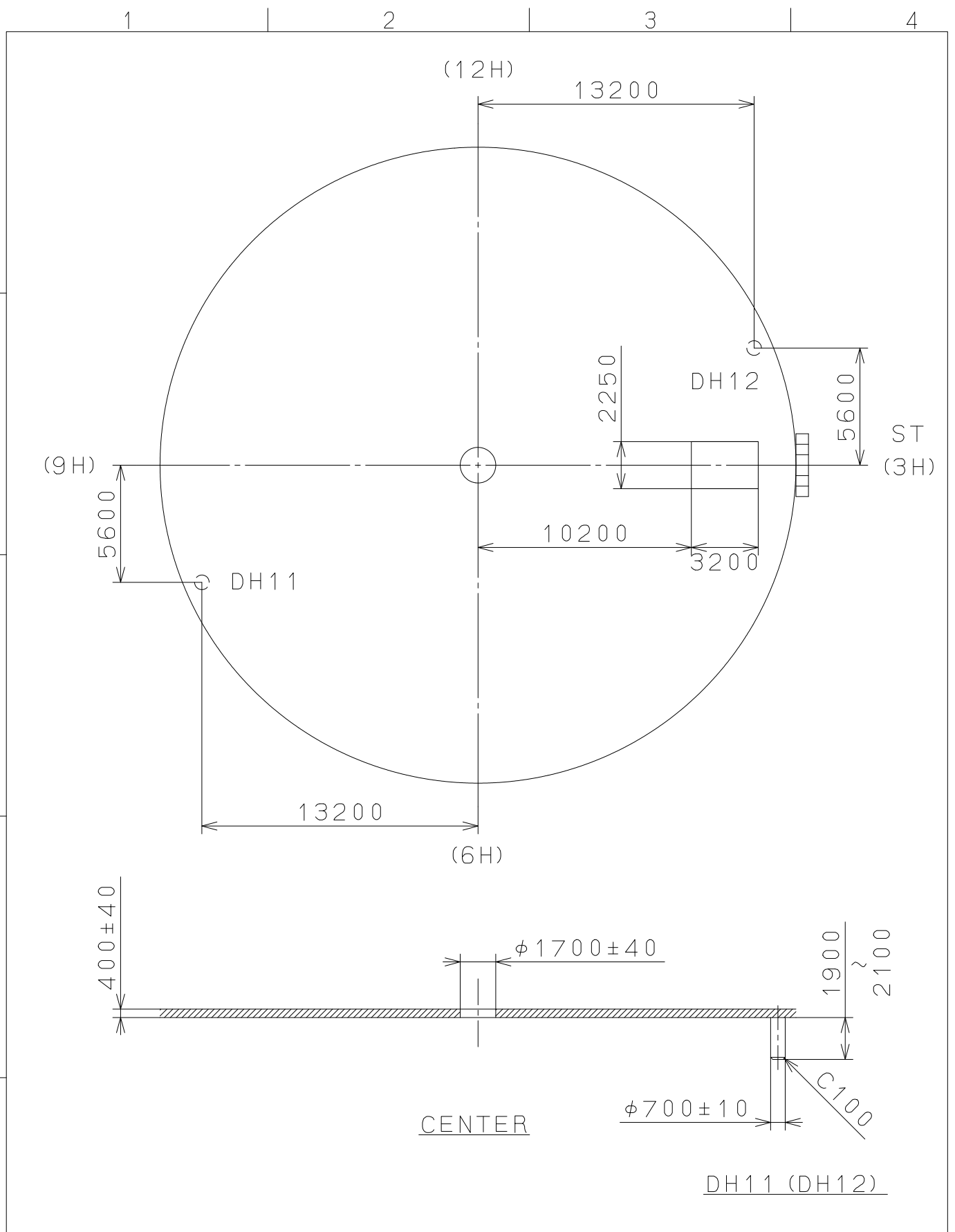


This drawing is provisional and subject to our reconfirmation and/or revision without notice.



|                |      |             |                    |           |                                      |
|----------------|------|-------------|--------------------|-----------|--------------------------------------|
| △              |      |             | Quantity           |           | Cal.NO.:                             |
| △              |      |             | Unit               | 1/1000mm  | 2415-30A                             |
| △              |      |             | Scale              | 4:1       | Parts No.:                           |
| △              |      |             | Date               |           |                                      |
| △              |      |             | Drawn              |           |                                      |
| Mark           | Date | Description | Appro.             | Checked   | Name:                                |
|                |      | Alterations | Approved           | D. Yamada | Indications for Dial                 |
| Material       |      |             |                    |           | Drawing No.: 241500D1                |
| Heat Treatment |      |             | General Tolerances |           | <b>MIYOTA</b>                        |
| Hardness       |      |             | Dimensions         |           |                                      |
| Plating        |      |             | Angles             |           |                                      |
|                |      |             |                    |           | CITIZEN WATCH CO., LTD. TOKYO, JAPAN |