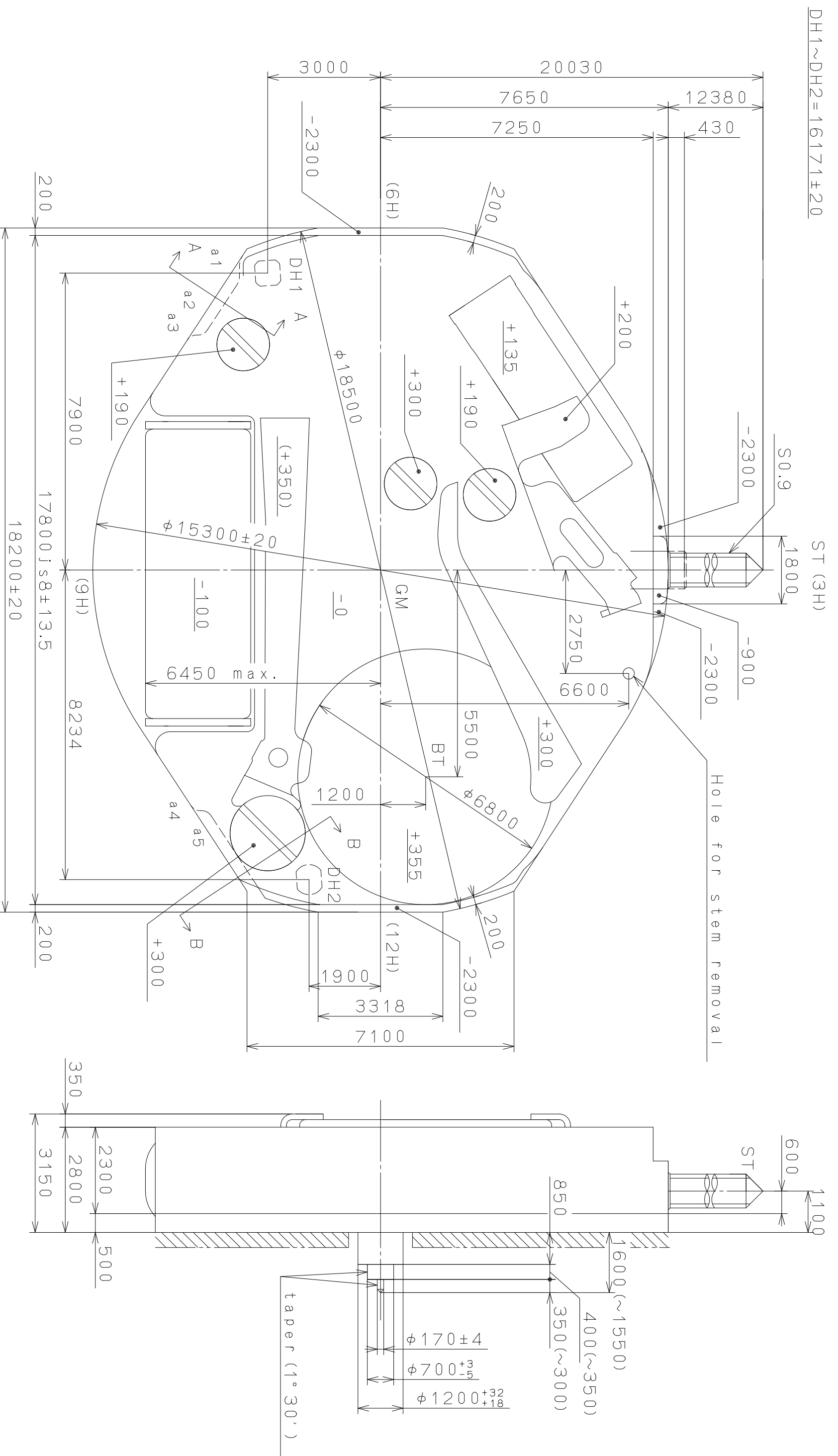
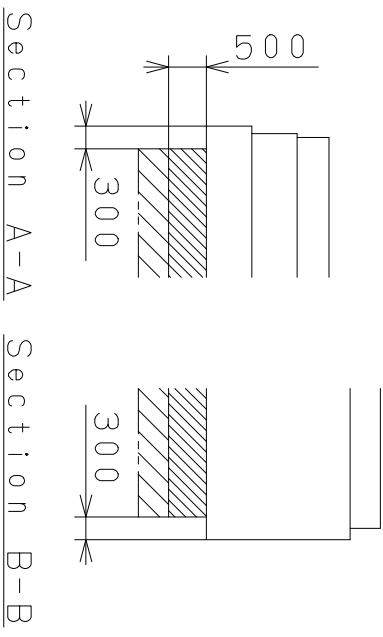


This drawing is provisional and subject to our reconfirmation and/or revision without notice.



Coordinates

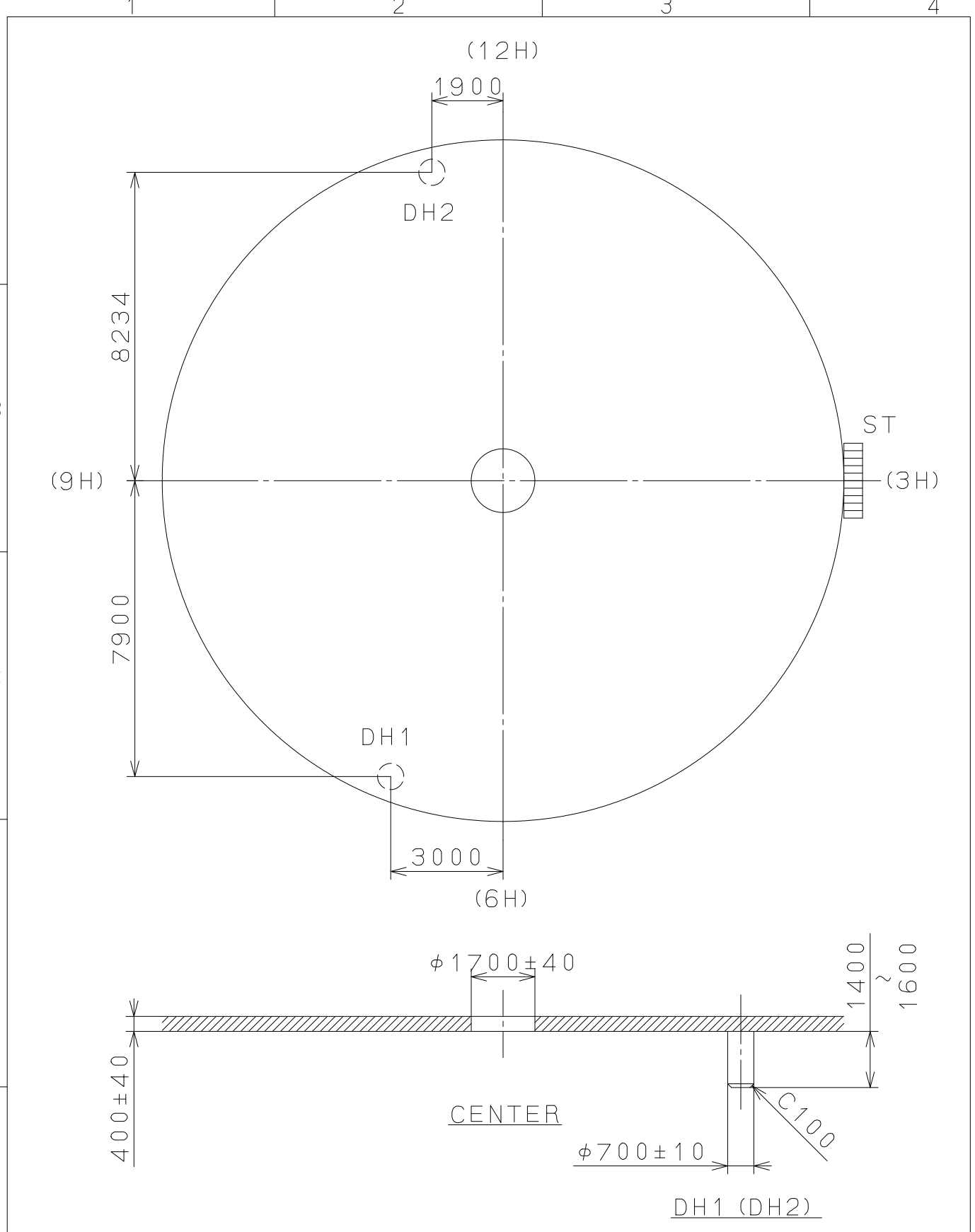
Mark	X	Y	R
GM	0	0	—
a1	-7838	-4250	500
a2	-6550	-4855	300
a3	-5951	-4888	300
a4	6101	-4790	300
a5	6700	-4756	300



△	Quantity		Cal. NO.:	2035
△	Unit		1/1000 mm	
△	Scale		10:1	Parts No.:
△	Date			
△	Drawn			
△	Checked			
△	Approved	D. Yamada	Name:	Frame for Case
△	Alterations		Checked	Drawing No.: 203500C0
△	Date		Approved	
△	Material			
△	Heat Treatment			
△	Hardness			
△	Plating			
△	General Tolerances			
△	Dimensions			
△	Angles			

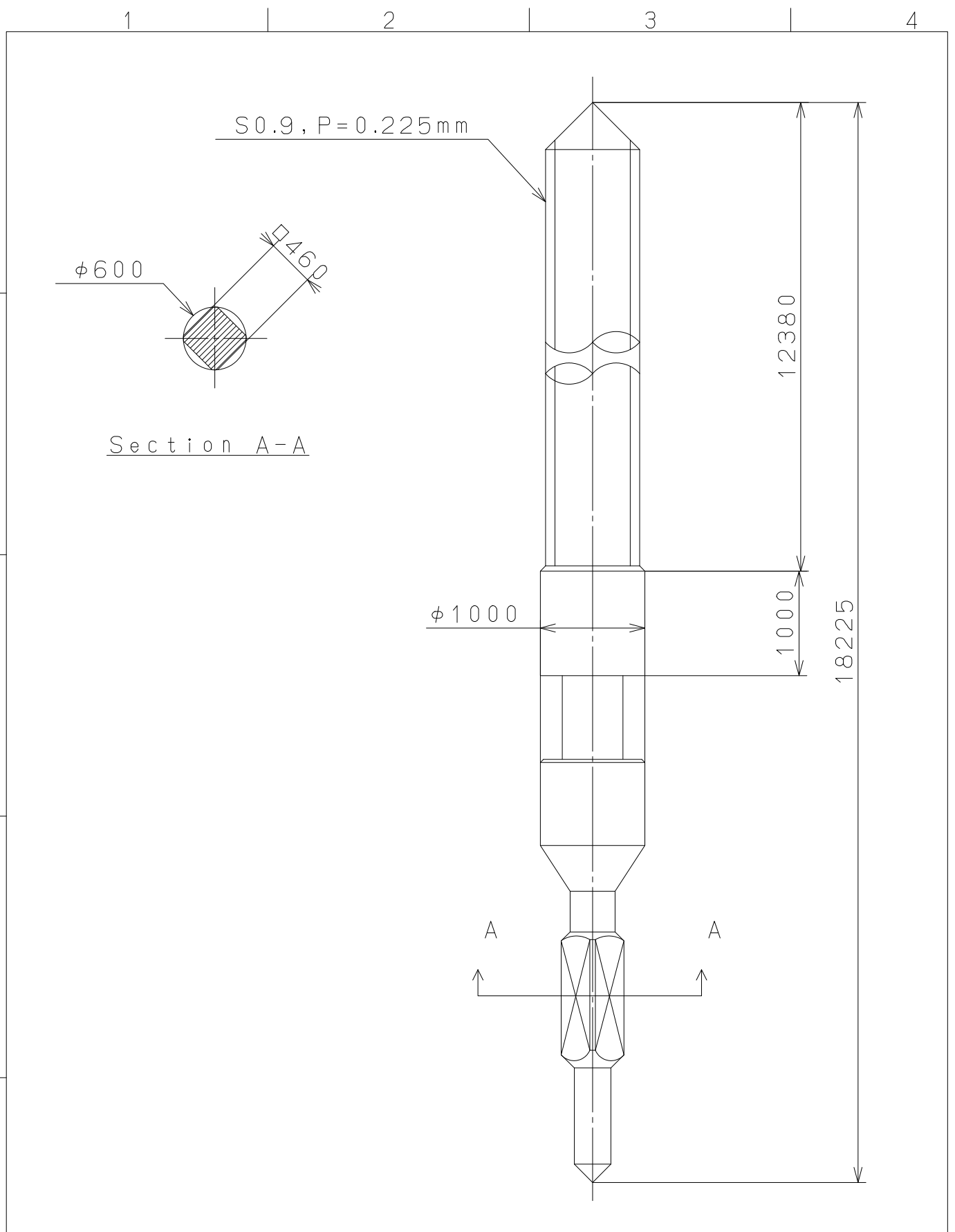
**MIYOTA**  
CITIZEN WATCH CO., LTD. TOKYO, JAPAN

This drawing is provisional and subject to our reconfirmation and/or revision without notice.



△			Quantity		Cal.NO.:
△			Unit	1 / 1000 mm	2035-J0A
△			Scale	7 : 1	Parts No.:
△			Date		
△			Drawn		
Mark	Date	Description	Appro.	Checked	Name:
		Alterations		Approved	D. Yamada
Material					Indications for Dial
Heat Treatment					Drawing No.: 203501D0
Hardness					<b>MIYOTA</b>
Plating					

This drawing is provisional and subject to our reconfirmation and/or revision without notice.



△5			Quantity		Cal.NO.:
△4			Unit	1 / 1000 mm	
△3			Scale	20 : 1	Parts No.:
△2			Date		065-468
△1			Drawn		
Mark	Date	Description	Appro.	Checked	D. Yamada
Alterations			Approved	Name:	
			SETTING STEM		
Material					Drawing No.: 468000S0
Heat Treatment					<b>MIYOTA</b> CITIZEN WATCH CO., LTD. TOKYO, JAPAN
Hardness					
Plating					