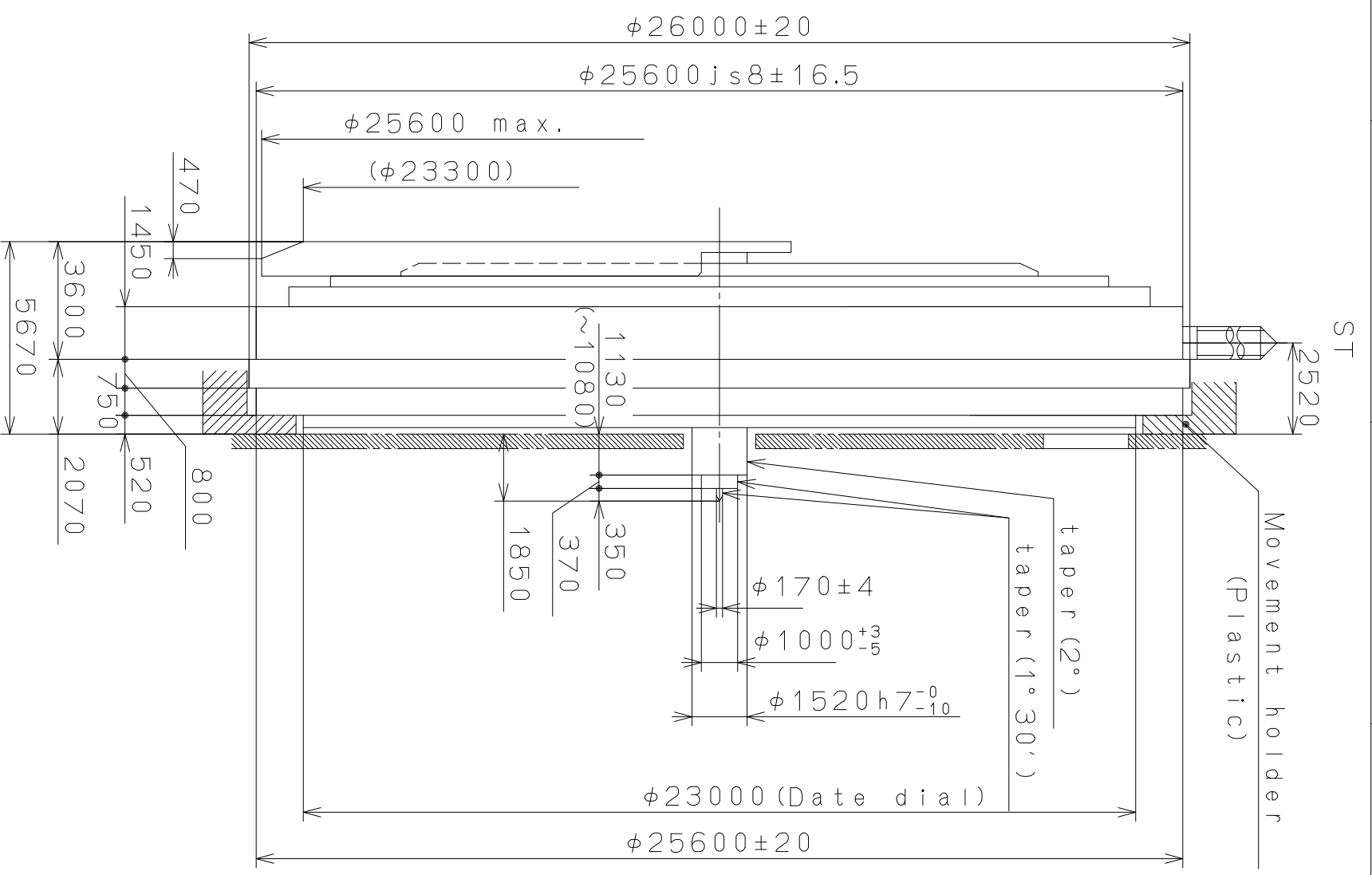
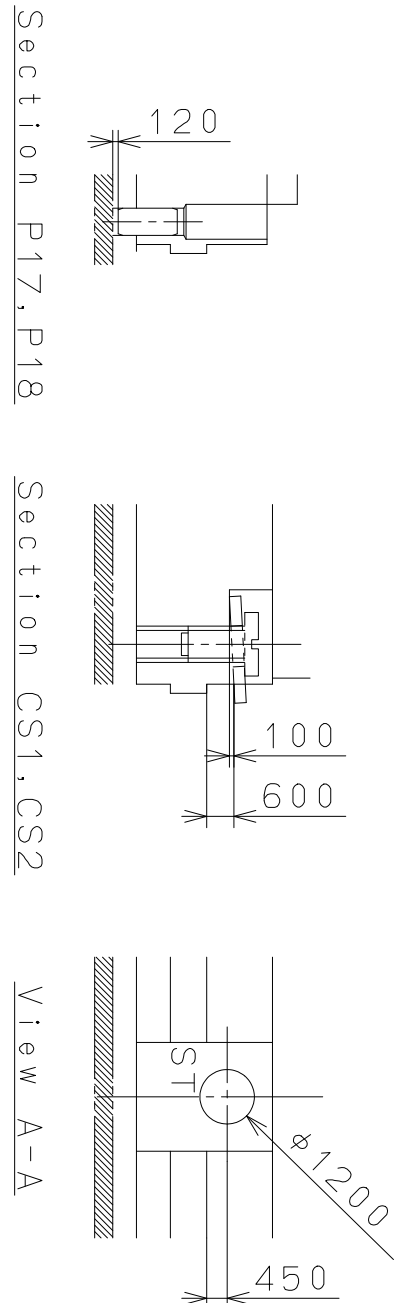
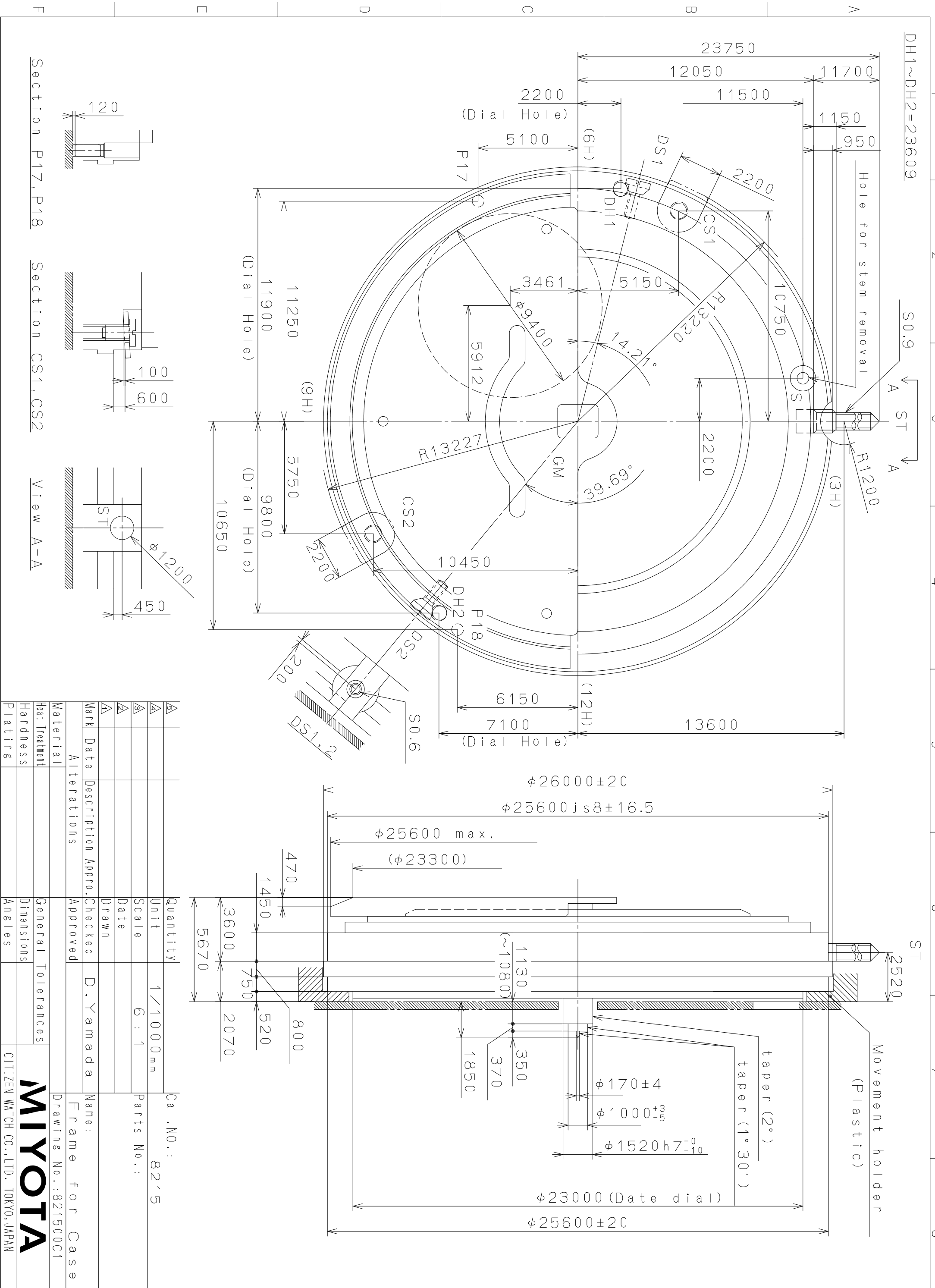


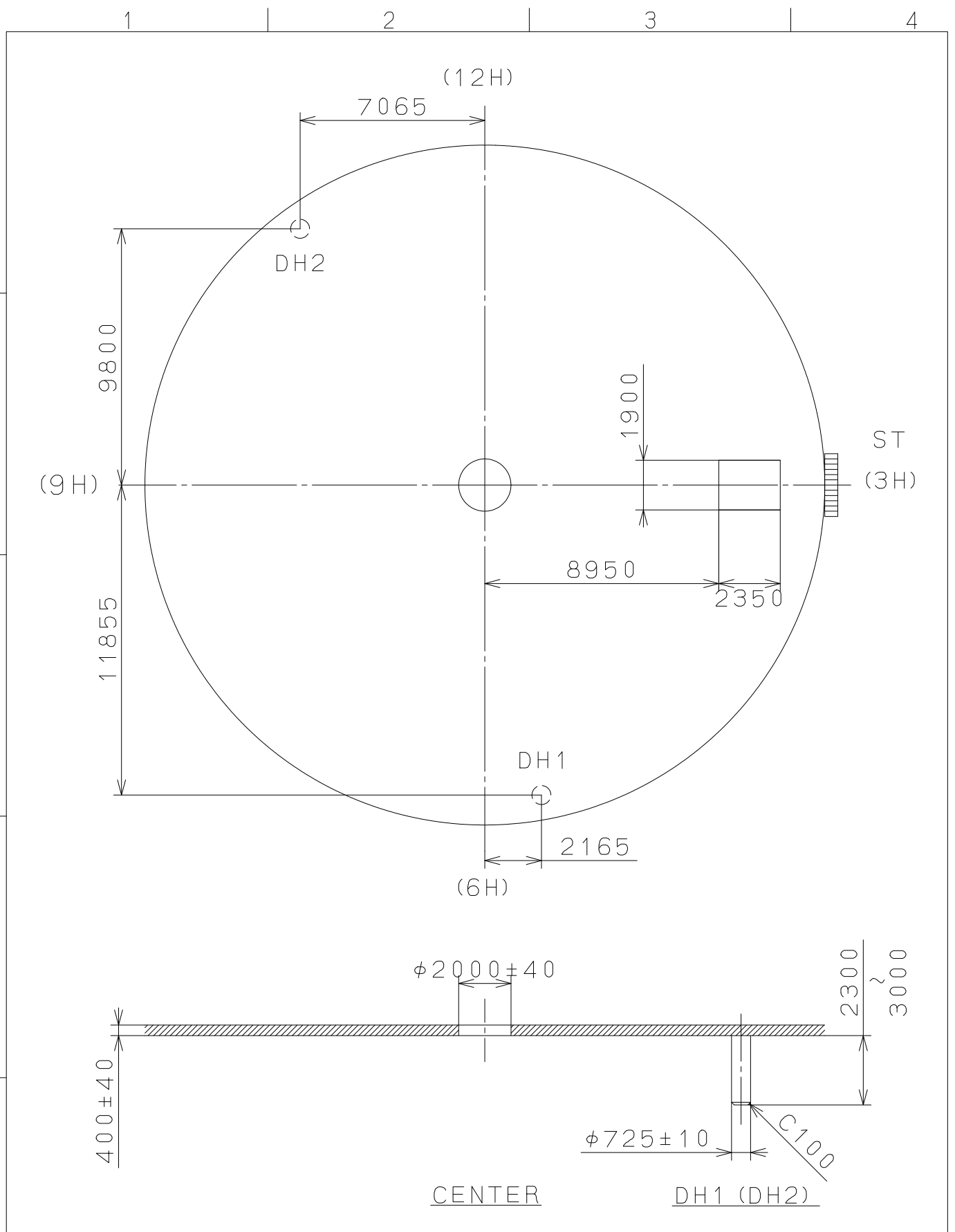
This drawing is provisional and subject to our reconfirmation and/or revision without notice.



△	Quantity	Cal. NO.:	8215
△	Unit	1/1000 mm	
△	Scale	6:1	Parts No.:
△	Date		
△	Drawn		
△	Checked	D. Yamada	Name:
△	Approved		Frame for Case
△	Alterations		Drawing No.: 821500C1
△	Material		
△	Heat Treatment		
△	Hardness		
△	Plating		
	General Tolerances		
	Dimensions		
	Angles		

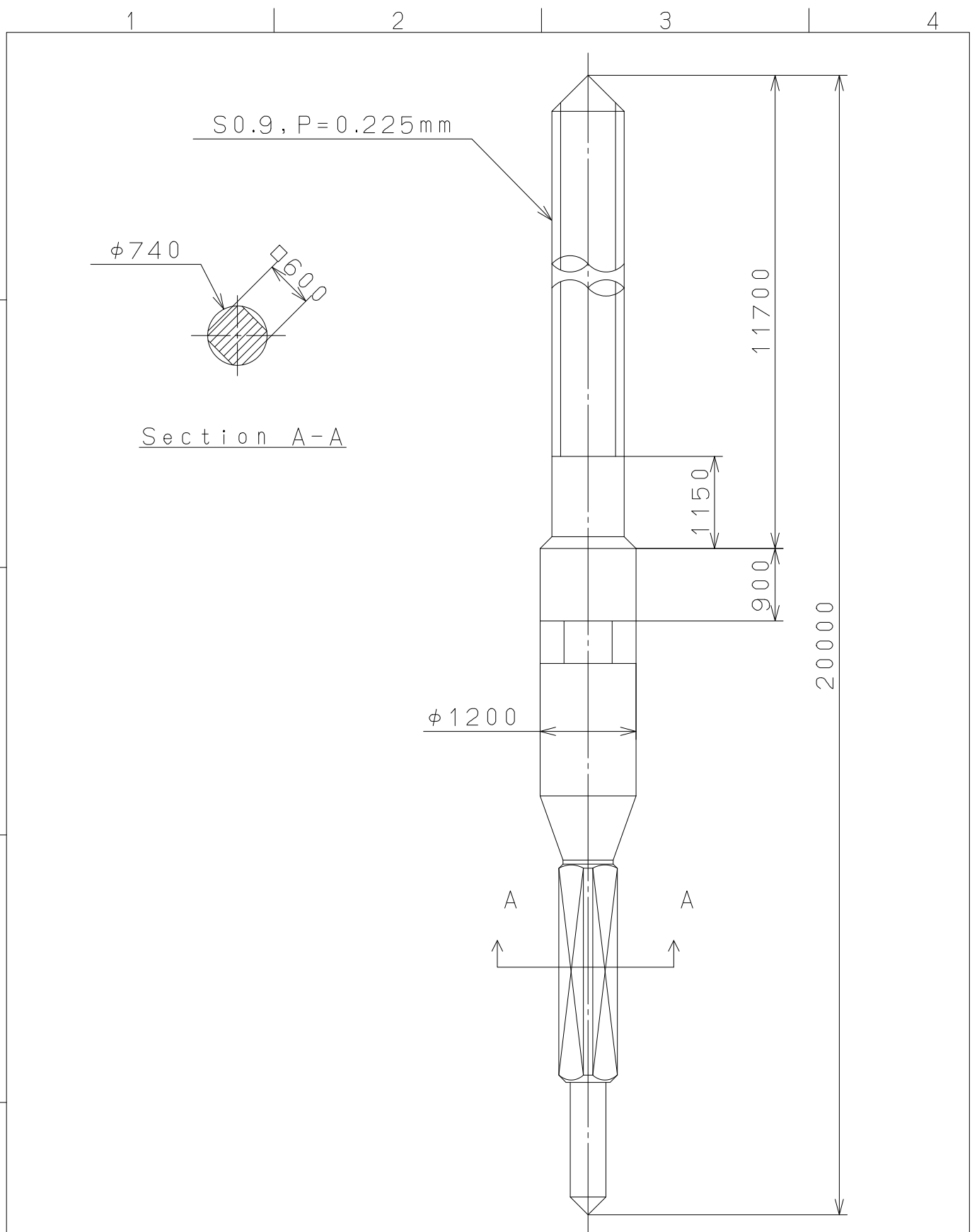
MIYOTA
CITIZEN WATCH CO., LTD. TOKYO, JAPAN

This drawing is provisional and subject to our reconfirmation and/or revision without notice.

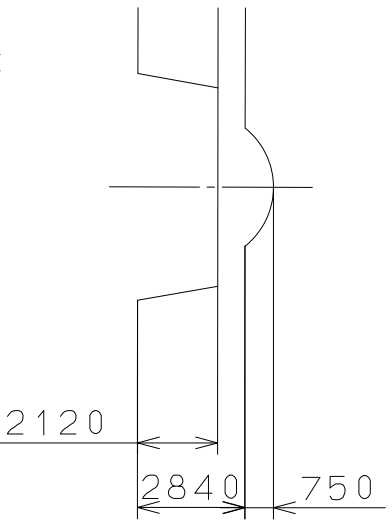
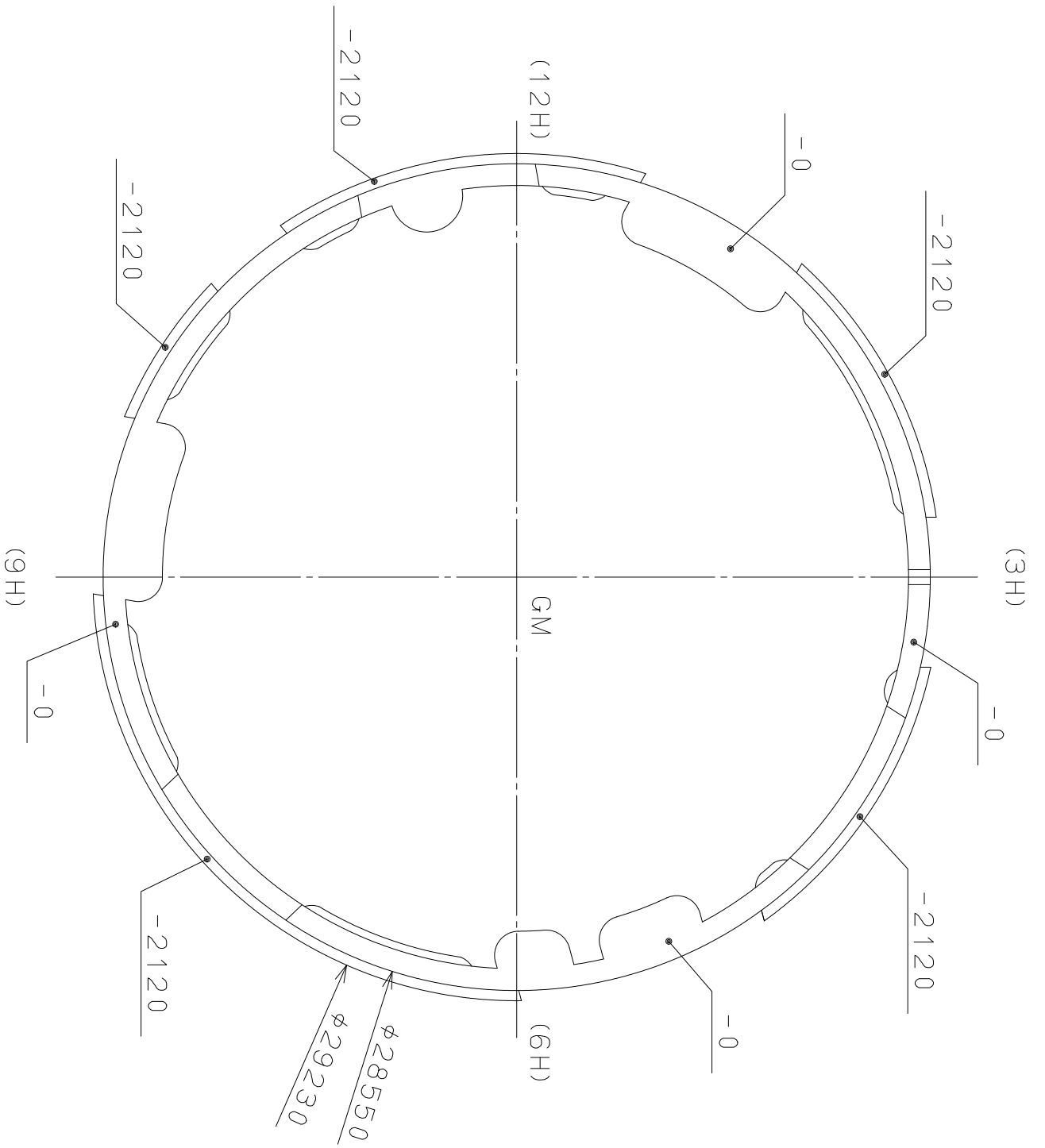


△			Quantity		Cal.NO.:
△			Unit	1 / 1000 mm	8215-33D
△			Scale	5 : 1	Parts No.:
△			Date		
△			Drawn		
Mark	Date	Description	Appro.	Checked	Name:
		Alterations		Approved	D. Yamada
Material					Indications for Dial
Heat Treatment					Drawing No.: 821504D0
Hardness				General Tolerances	MIYOTA
Plating				Dimensions	
				Angles	CITIZEN WATCH CO., LTD. TOKYO, JAPAN

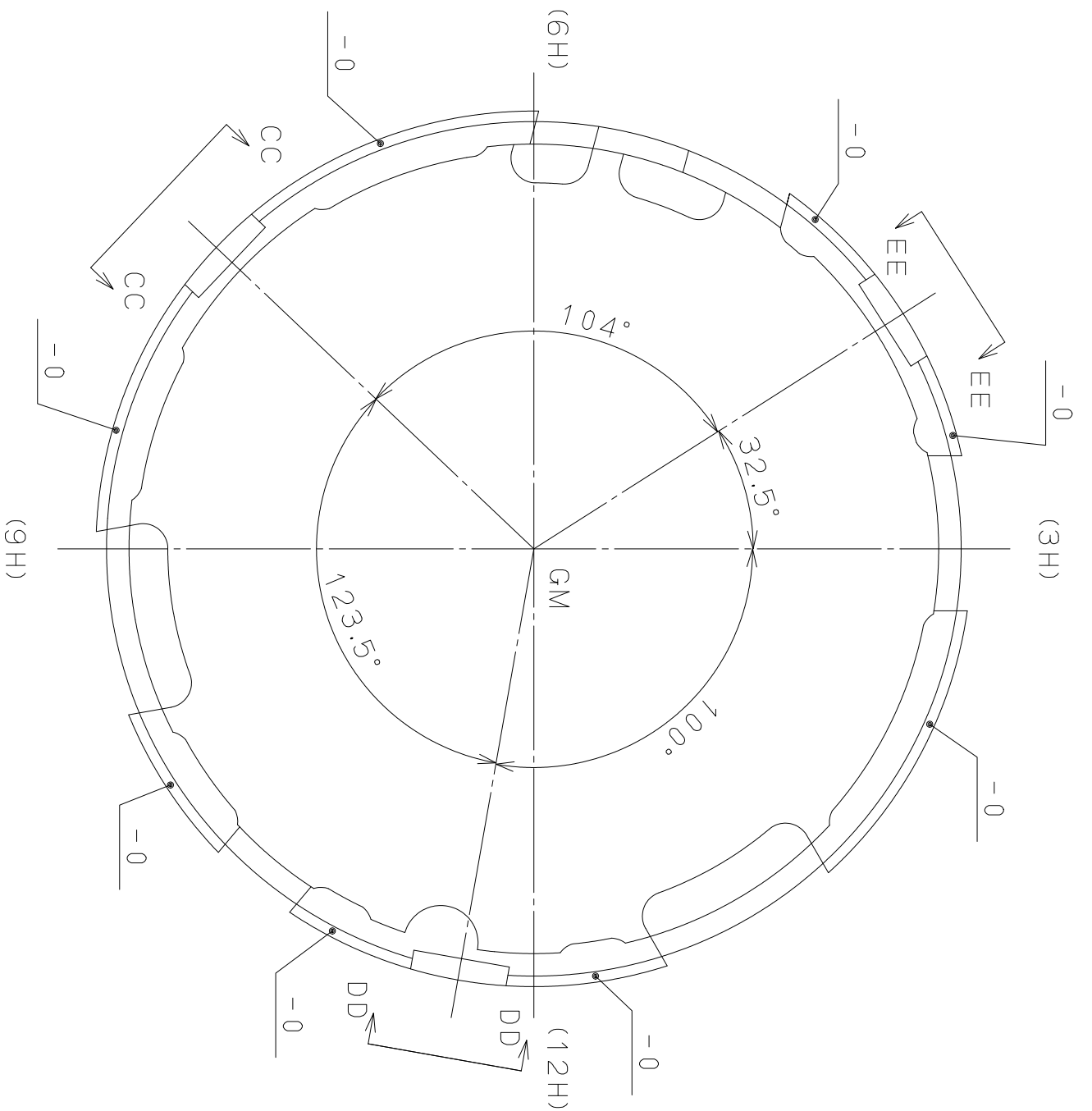
This drawing is provisional and subject to our reconfirmation and/or revision without notice.



△			Quantity		Cal.NO.:
△			Unit	1/1000mm	
△			Scale	15:1	Parts No.:
△			Date		065-212
△			Drawn		Name:
Mark	Date	Description	Appr.	Checked	D. Yamada
Alterations			Approved	SETTING STEM	
Material					Drawing No.: 212000S0
Heat Treatment					MIYOTA
Hardness					
Plating					
					CITIZEN WATCH CO., LTD. TOKYO, JAPAN



View CC-CC
DD-DD, EE-EE



Quantity	Unit	Cal. NO.:
1	1/1000 mm	
Scale	5 : 1	Parts No.:
Date	Drawn	500-710
Date	Checked	Name:
Date	Approved	Casing Holder
Alterations		D. Yamada
Material		Drawing No.: 820500E0
Heat Treatment		
Hardness		
Plating		
General Tolerances		MIYOTA
Dimensions		CITIZEN WATCH CO., LTD. TOKYO, JAPAN
Angles		