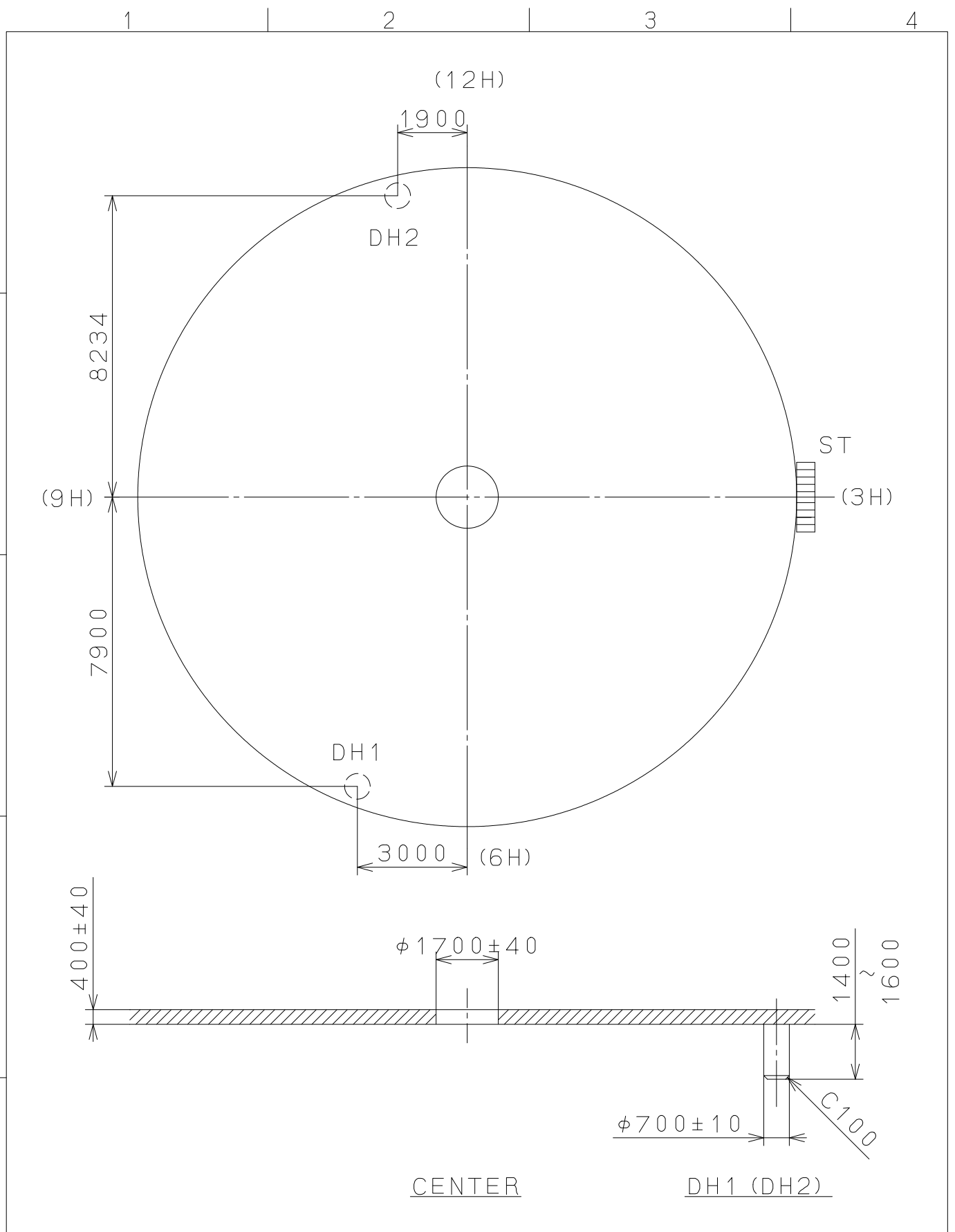
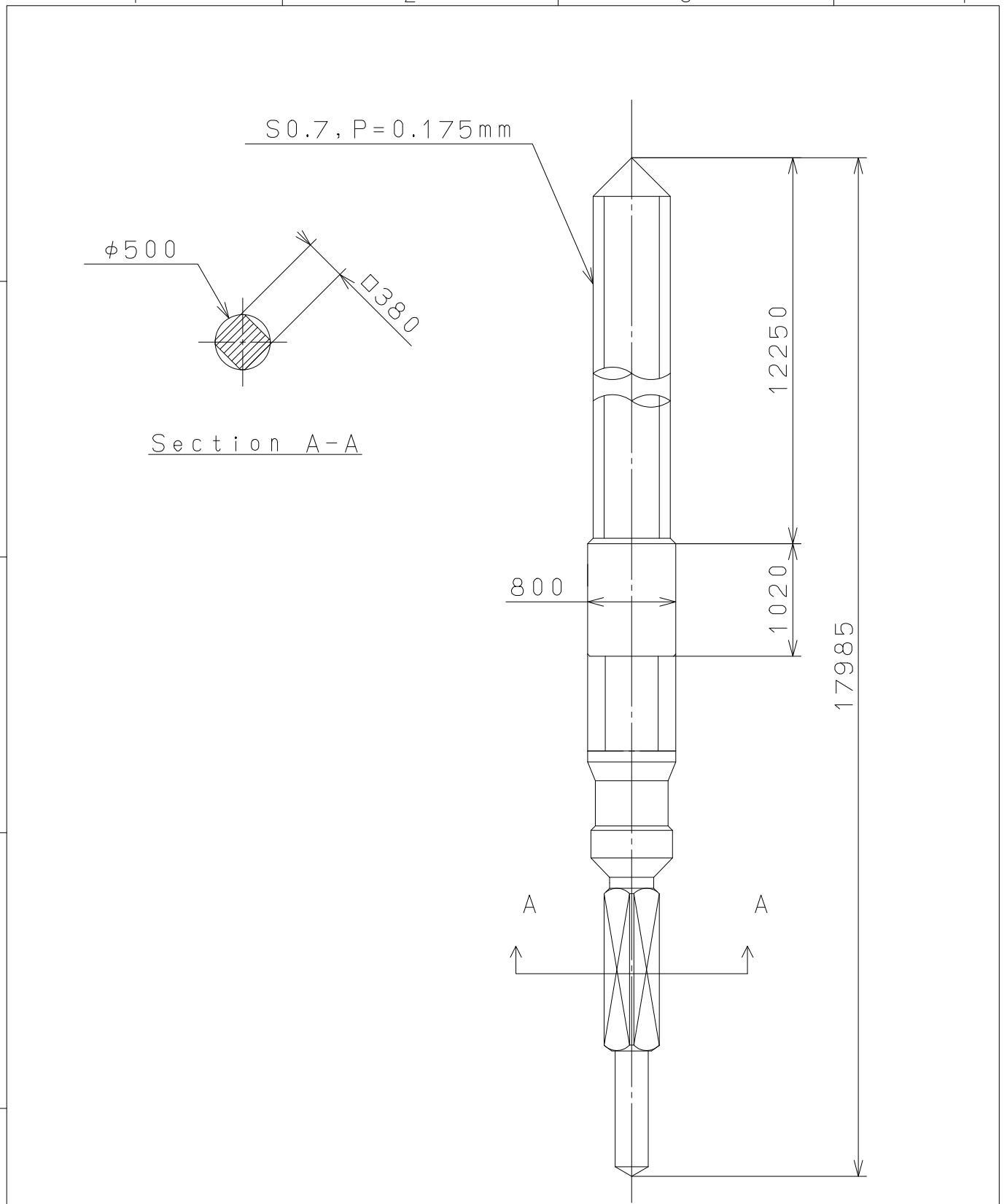


This drawing is provisional and subject to our reconfirmation and/or revision without notice.



△			Quantity		Cal.NO.:
△			Unit	1 / 1000 mm	9T33-00A
△			Scale	7 : 1	Parts No.:
△			Date		
△			Drawn		
Mark	Date	Description	Appr.	Checked	Name:
		Alterations		Approved	D. Yamada
Material					Indications for Dial
Heat Treatment					Drawing No.: 9T3300D0
Hardness				General Tolerances	MIYOTA
Plating				Dimensions	
				Angles	CITIZEN WATCH CO., LTD. TOKYO, JAPAN

This drawing is provisional and subject to our reconfirmation and/or revision without notice.



△5			Quantity		Cal.NO.:
△4			Unit	1/1000 _{mm}	
△3			Scale	20:1	Parts No.:
△2			Date		065-495
△1			Drawn		
Mark	Date	Description	Appr.	Checked	D.Yamada
Alterations			Approved	Name: SETTING STEM	
Material					Drawing No.: 495000S0
Heat Treatment	General Tolerances				MIYOTA
Hardness	Dimensions				
Plating	Angles				
					CITIZEN WATCH CO.,LTD. TOKYO,JAPAN