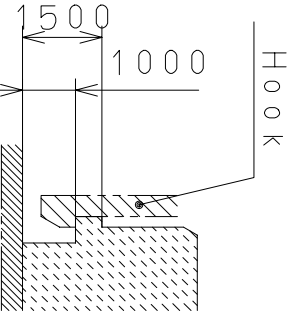
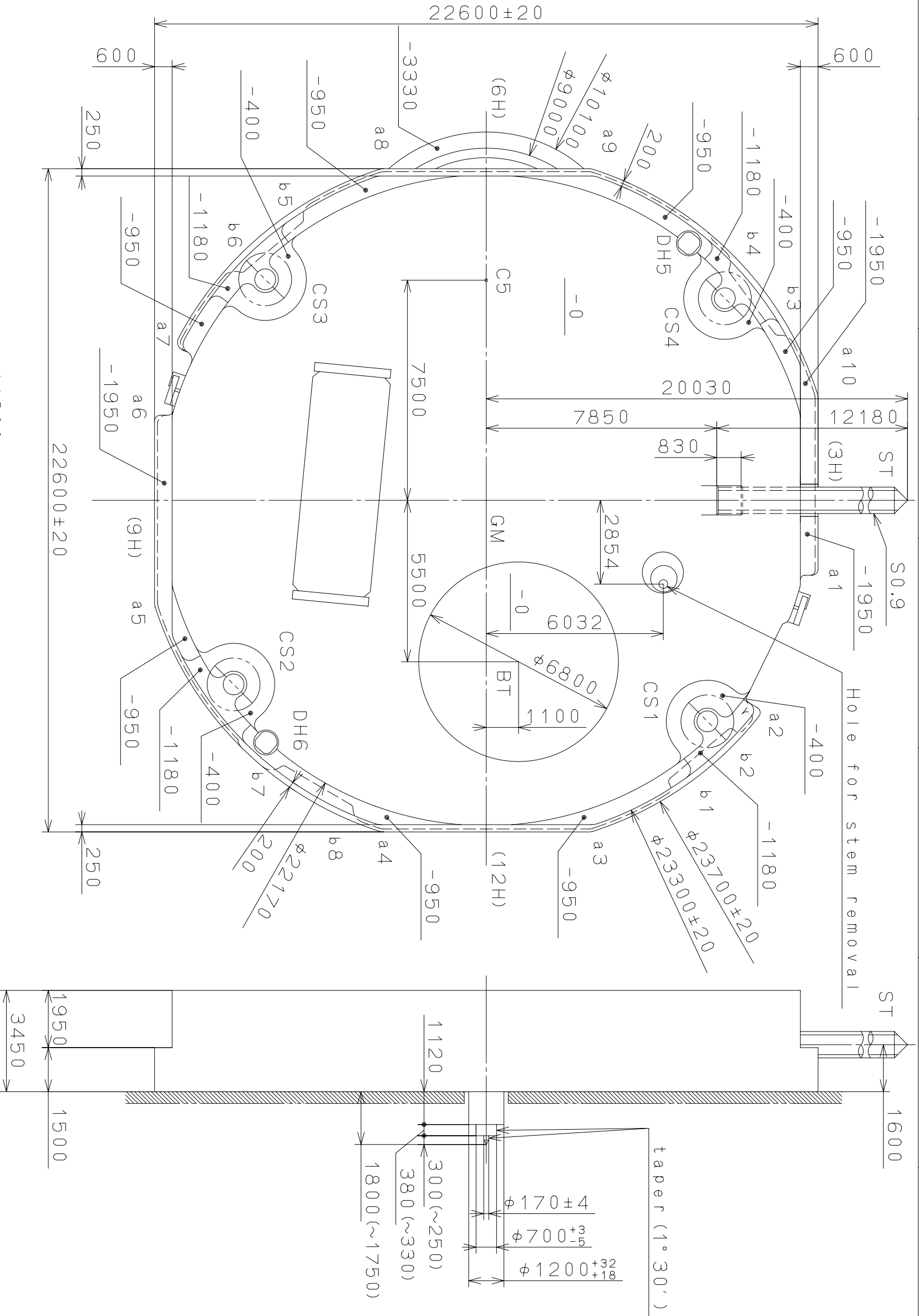
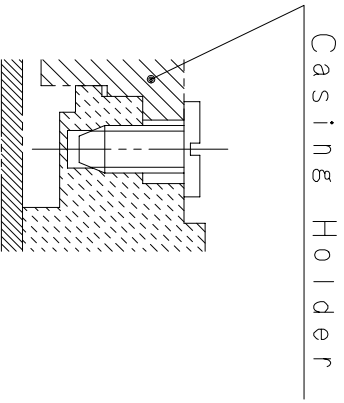


DH5~DH6=22287±20

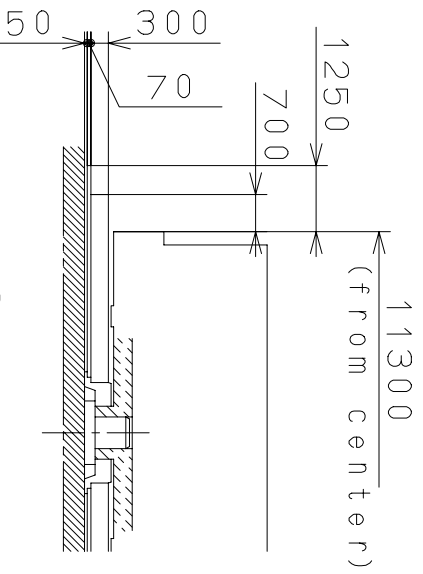
| Coordinates | | | |
|-------------|--------|--------|-----|
| 記号 | X | Y | R |
| GM | 0 | 0 | — |
| DH6 | 8251 | -7500 | 375 |
| DH5 | -8759 | 6900 | 375 |
| a1 | 2351 | 11100 | 200 |
| a2 | 7235 | 9131 | 200 |
| a3 | 10800 | 3490 | 500 |
| a4 | 10800 | -3490 | 500 |
| a5 | 3490 | -10800 | 500 |
| a6 | -2700 | -11100 | 200 |
| a7 | -5389 | -10216 | 300 |
| a8 | -10800 | -3490 | 500 |
| a9 | -10800 | 3490 | 500 |
| a10 | -3490 | 10800 | 500 |
| b1 | 9581 | 6360 | 150 |
| b2 | 7928 | 8331 | 150 |
| b3 | -5773 | 9946 | 150 |
| b4 | -7839 | 8415 | 150 |
| b5 | -9572 | -6374 | 150 |
| b6 | -7916 | -8342 | 150 |
| b7 | 9196 | -6906 | 150 |
| b8 | 10501 | -4690 | 150 |



Section b1~b8



Section CS1~4

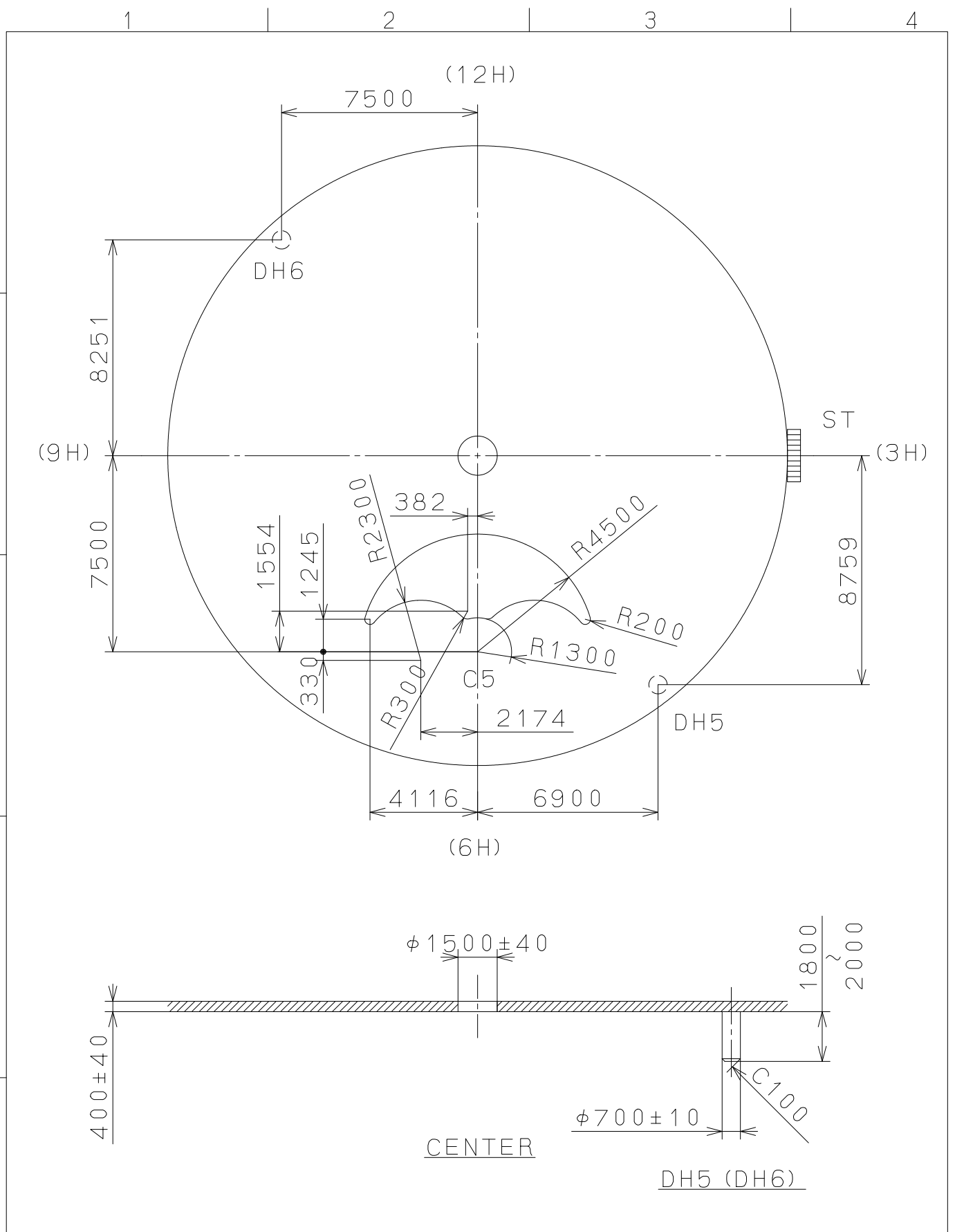


Section C5

| △ | Quantity | Unit | 1/1000 mm | Cal. NO.: 6P24 |
|---|----------------|--------------------------------------|-----------|-----------------------|
| △ | Scale | 7/1 | Date | Parts No.: |
| △ | Drawn | | Name | |
| △ | Checked | | M. Fukuda | Frame for Case |
| △ | Approved | | | Drawing No.: 6P24C000 |
| △ | Material | General Tolerances | | |
| △ | Heat Treatment | Dimensions | | |
| △ | Hardness | Angles | | |
| △ | Plating | CITIZEN WATCH CO., LTD. TOKYO, JAPAN | | |

MIYOTA

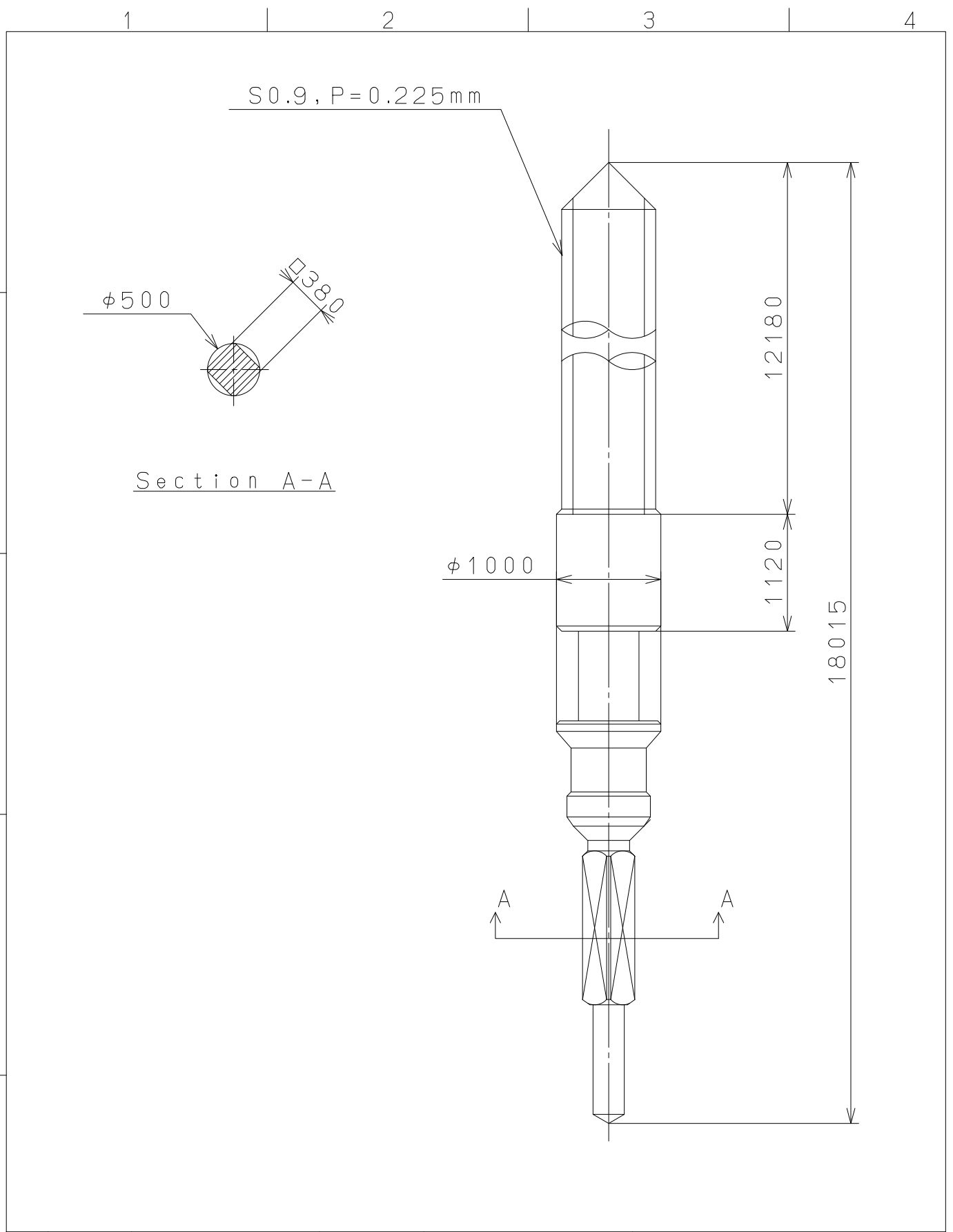
This drawing is provisional and subject to our reconfirmation and/or revision without notice.



| | | | | | |
|----------------|------|-------------|----------|-------------|--------------------------------------|
| △ | | | Quantity | | Cal.NO.: |
| △ | | | Unit | 1 / 1000 mm | 6P24-00W |
| △ | | | Scale | 5 : 1 | Parts No.: |
| △ | | | Date | | |
| △ | | | Drawn | | |
| Mark | Date | Description | Appr. | Checked | M. Kobayashi |
| Alterations | | | Approved | | Name: |
| Material | | | | | Indications for Dial |
| Heat Treatment | | | | | Drawing No.: 6P24D010 |
| Hardness | | | | | MIYOTA |
| Plating | | | | | |
| | | | | | CITIZEN WATCH CO., LTD. TOKYO, JAPAN |

2010/05/12 (17:15:34)

This drawing is provisional and subject to our reconfirmation and/or revision without notice.



| | | | | | |
|----------------|------|-------------|--------------------|---|------------|
| △5 | | | Quantity | | Cal.NO.: |
| △4 | | | Unit | 1/1000mm | |
| △3 | | | Scale | 20:1 | Parts No.: |
| △2 | | | Date | | 065-379 |
| △1 | | | Drawn | | |
| Mark | Date | Description | Appro. | Checked | T.Hiruta |
| Alterations | | | Approved | Name: | |
| | | | SETTING STEM | | |
| Material | | | | Drawing No.:3790S000 | |
| Heat Treatment | | | | MIYOTA CITIZEN WATCH CO.,LTD. TOKYO,JAPAN | |
| Hardness | | | | | |
| Plating | | | | | |
| | | | General Tolerances | | |
| | | | Dimensions | | |
| | | | Angles | | |

MIYOTA
CITIZEN WATCH CO.,LTD. TOKYO,JAPAN