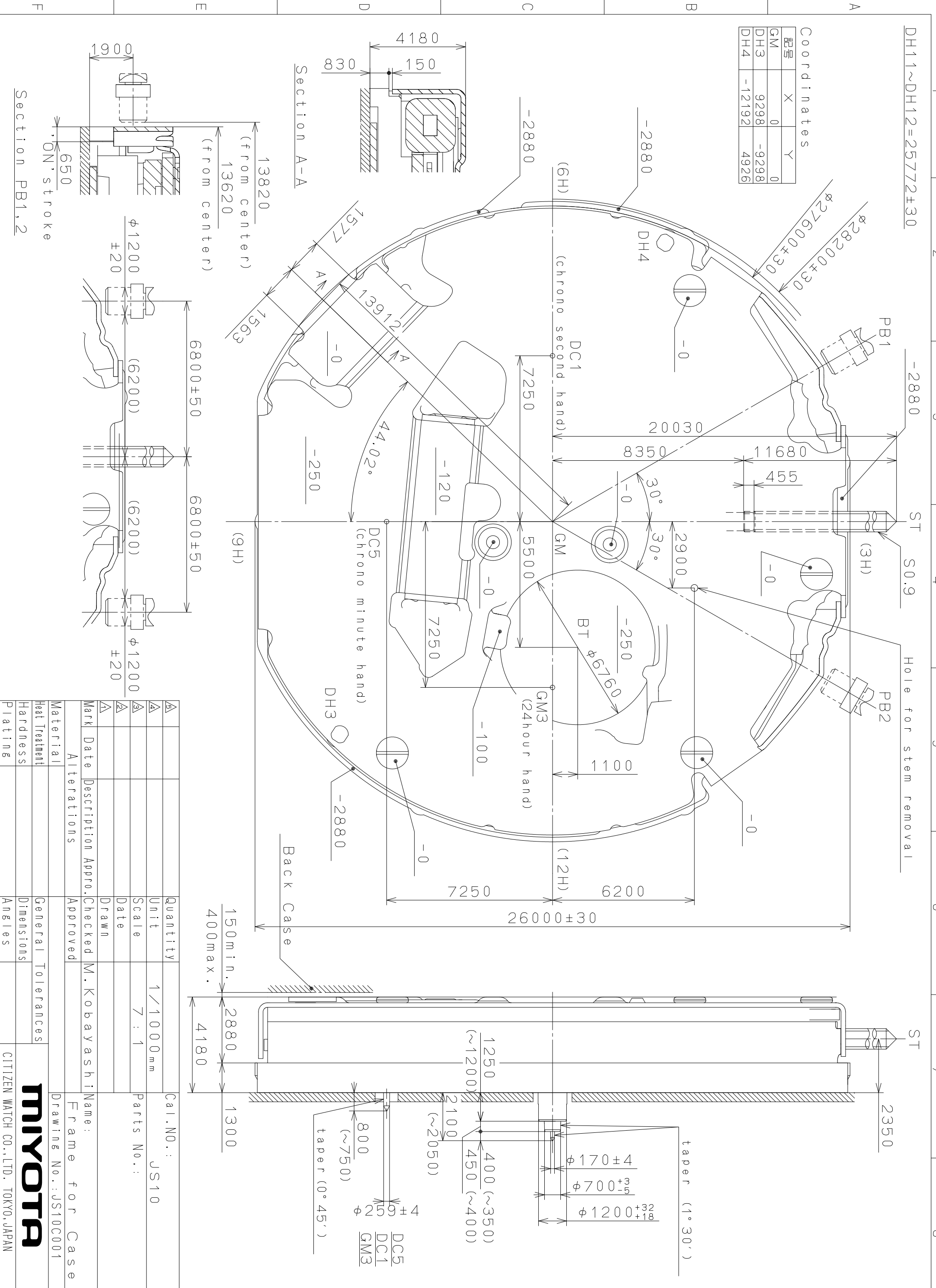


This drawing is provisional and subject to our reconfirmation and/or revision without notice.



Quantity	Unit	1/1000 mm	Cal. NO.:
△5			JS10
△4			
△3			
△2			
△1			

Mark	Date	Description	Apporo.	Checked	Drawn	Name:
△						M. Kobayashi

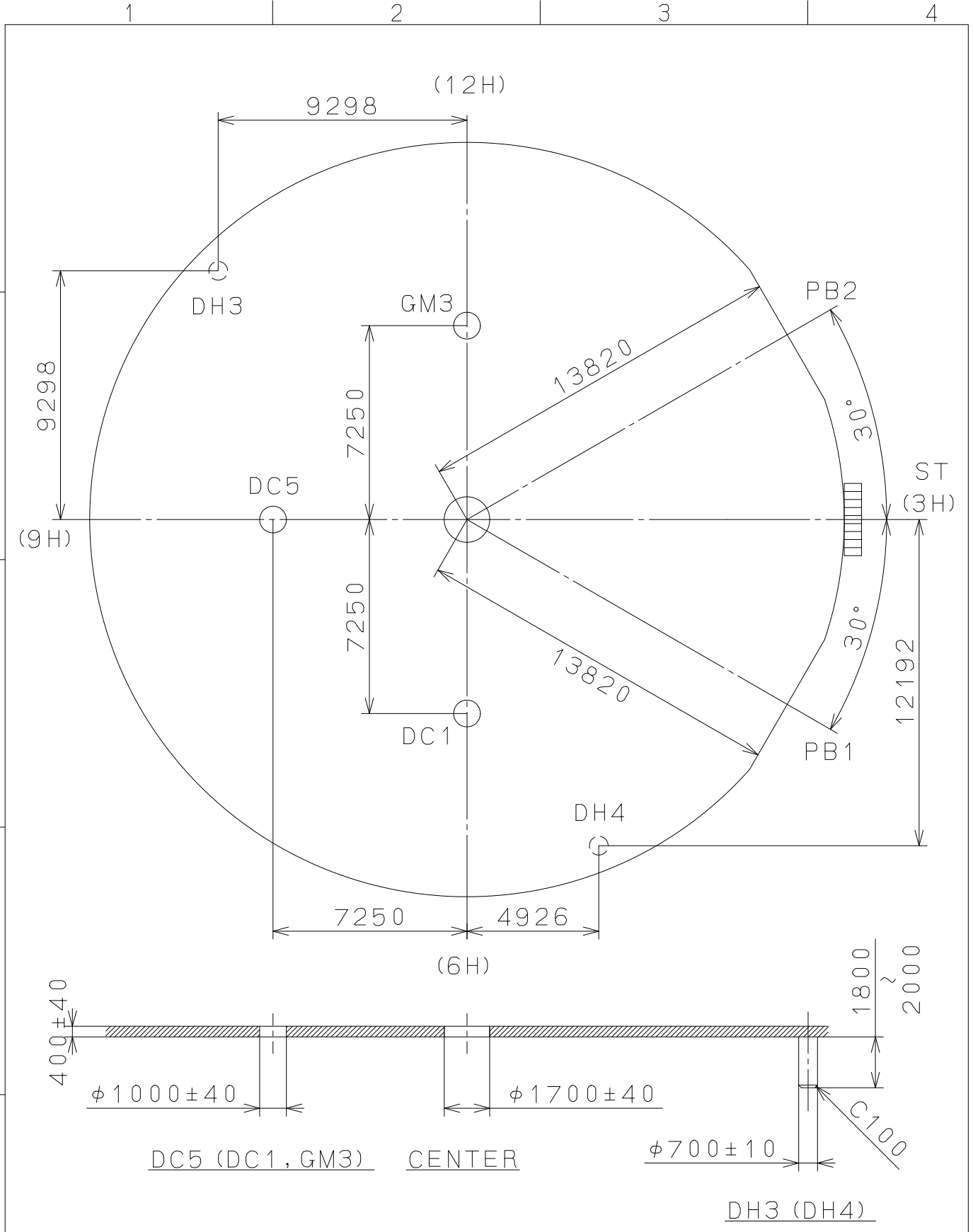
Alterations	Approved	Frame for Case

Material	General Tolerances
Heat Treatment	Dimensions
Hardness	Angles
Plating	

Parts No.:
Drawing No.: JS10C001

MIYOTA
CITIZEN WATCH CO., LTD. TOKYO, JAPAN

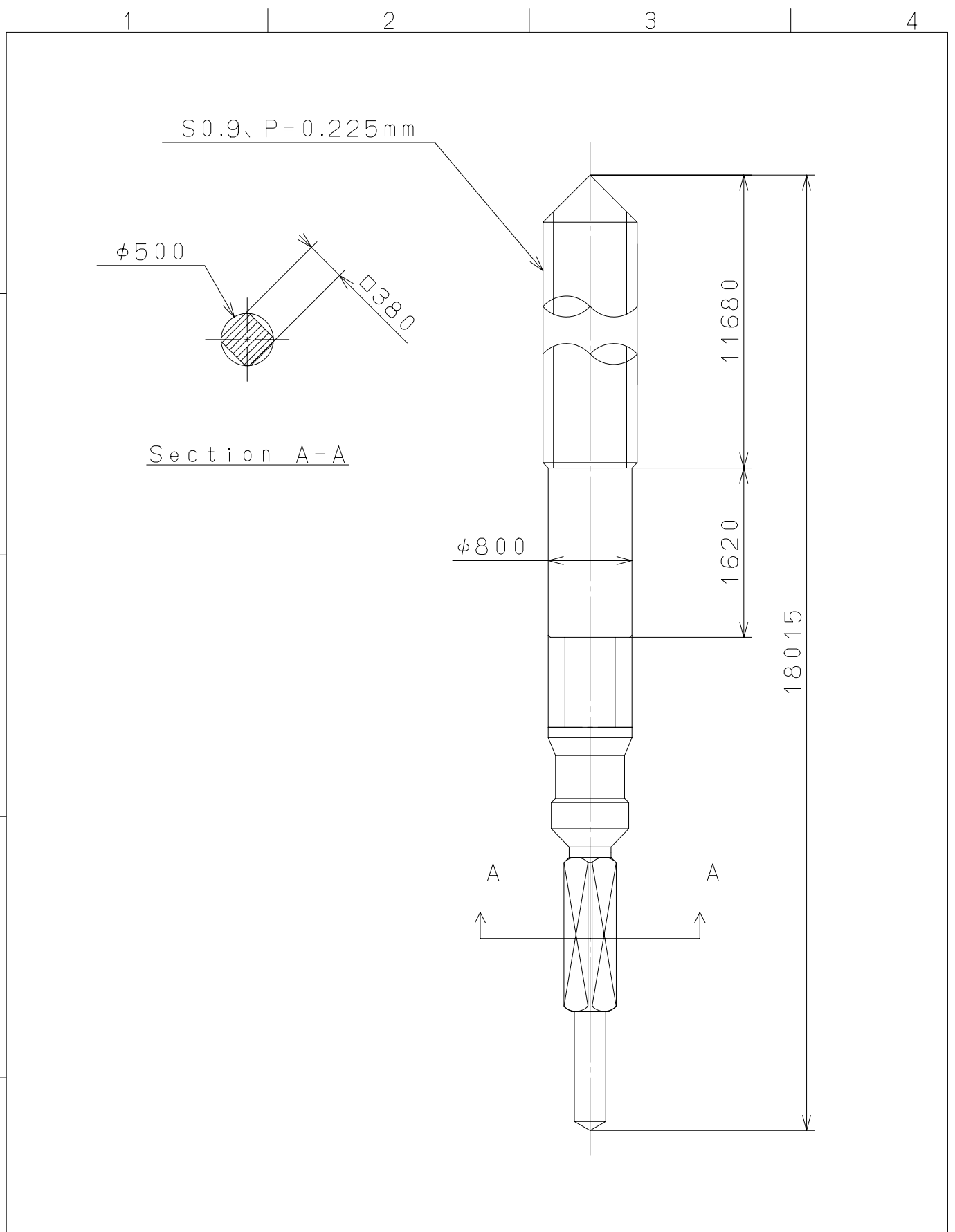
This drawing is provisional and subject to our reconfirmation and/or revision without notice.



△			Quantity		Cal.NO.:
△			Unit	1/1000 _{mm}	JS10-00C
△			Scale	5 : 1	Parts No.:
△			Date		
△			Drawn		
Mark	Date	Description	Appr.	Checked	Name:
		Alterations	Approved	E. Murakami	Indications for Dial
Material					Drawing No.: JS10D000
Heat Treatment				General Tolerances	MIYOTA
Hardness				Dimensions	
Plating				Angles	
					CITIZEN WATCH CO., LTD. TOKYO, JAPAN

2006/12/25 (07:50:10)

This drawing is provisional and subject to our reconfirmation and/or revision without notice.



⑤			Quantity		Cal.NO.:
④			Unit	1 / 1000 mm	
③			Scale	20 / 1	Parts No.:
②			Date		065-505
①			Drawn		
Mark	Date	Description	Appr.	Checked	Name:
		Alterations		Approved	SETTING STEM
Material					Drawing No.: 5050S000
Heat Treatment				General Tolerances	MIYOTA
Hardness				Dimensions	
Plating				Angles	
					CITIZEN WATCH CO., LTD. TOKYO, JAPAN