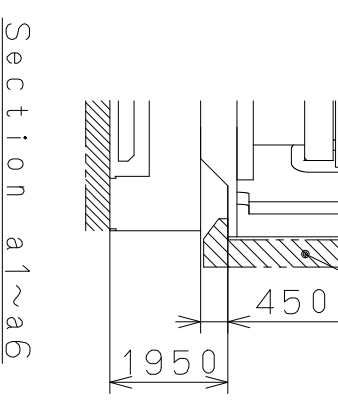
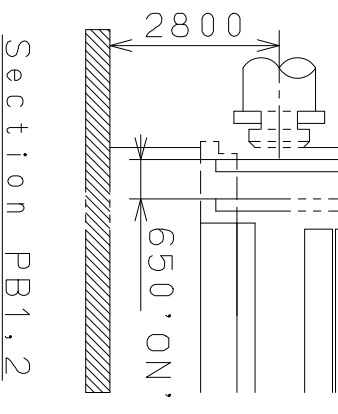
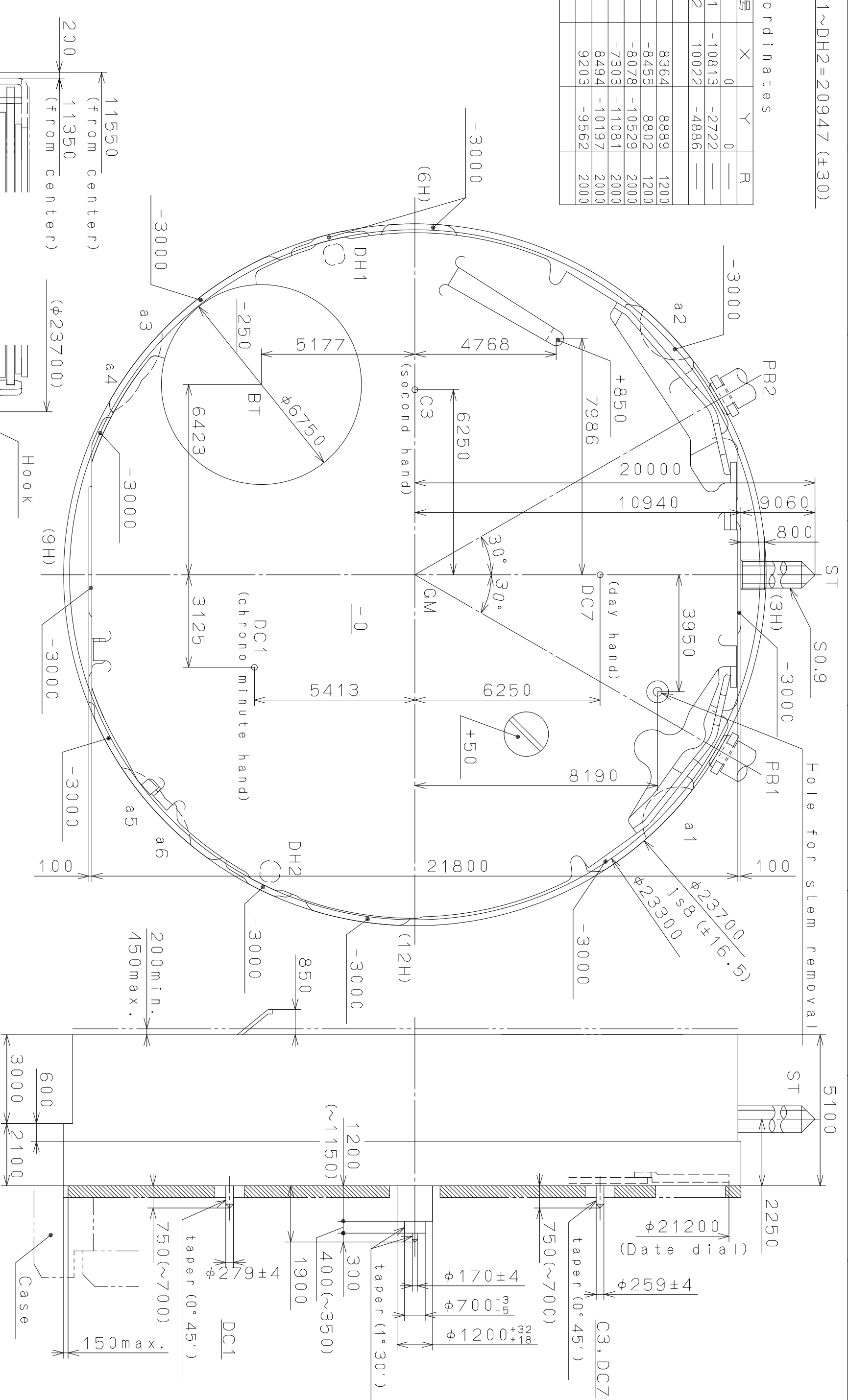


DH1~DH2=20947 (±30)

Coordinates			
記号	X	Y	R
GM	0	0	—
DH1	-10813	-2722	—
DH2	10022	-4886	—
a1	8364	8889	1200
a2	-8455	8802	1200
a3	-8078	-10529	2000
a4	-7303	-11081	2000
a5	8494	-10197	2000
a6	9203	-9562	2000



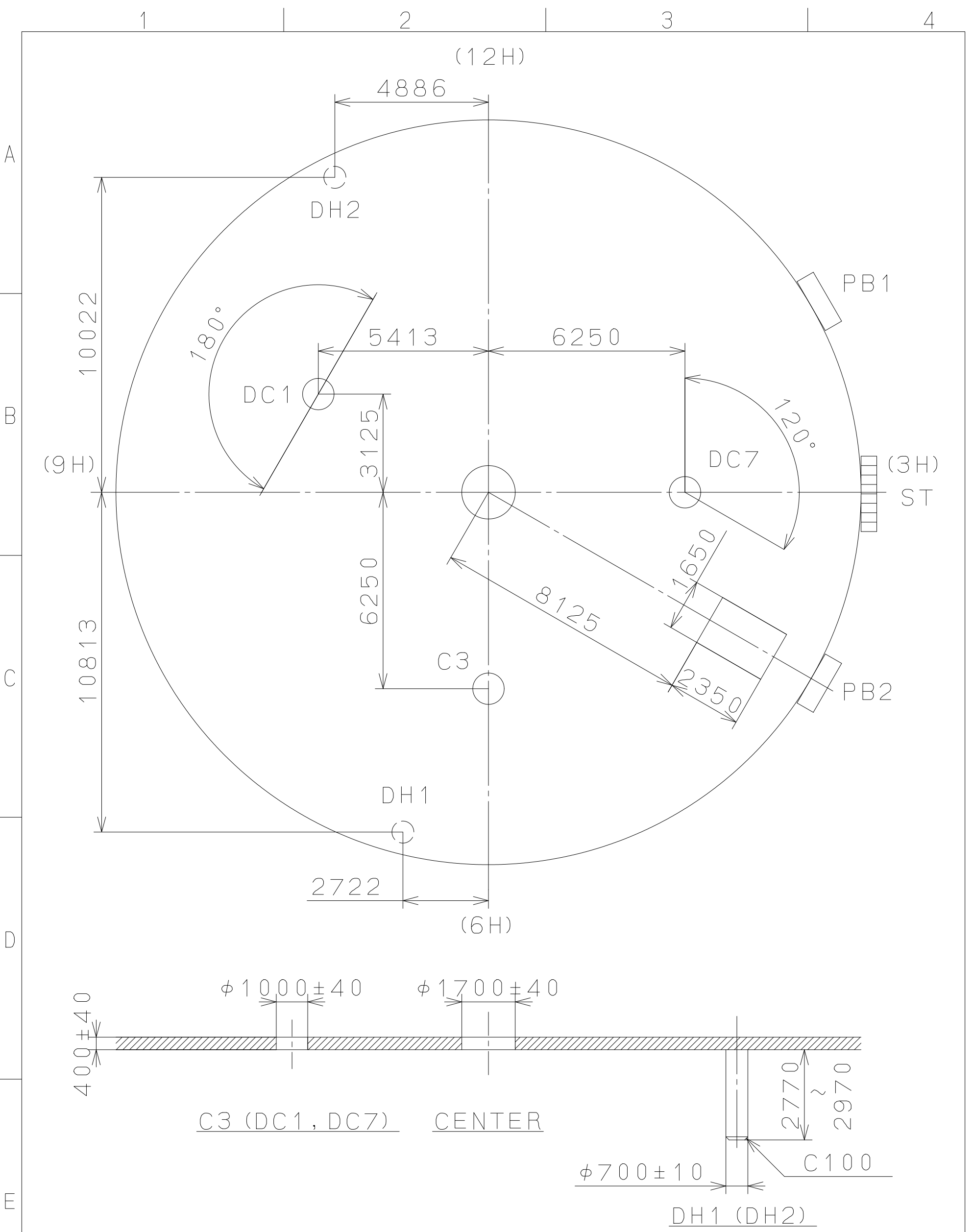
Mark	Date	Description	Appro.	Checked	Drawn	Quantity	Unit	Scale	Parts No.:
△		Alterations	Approved			1	1/1000 mm	8 : 1	FS80
△		Material							
△		Heat Treatment							
△		Hardness							
△		Plating							

Name: N. Suzuki
 Frame for Case
 Drawing No.: FS80C000
 Cal. NO.: FS80
 Parts No.: FS80

MIYOTA
CITIZEN WATCH CO., LTD. TOKYO, JAPAN

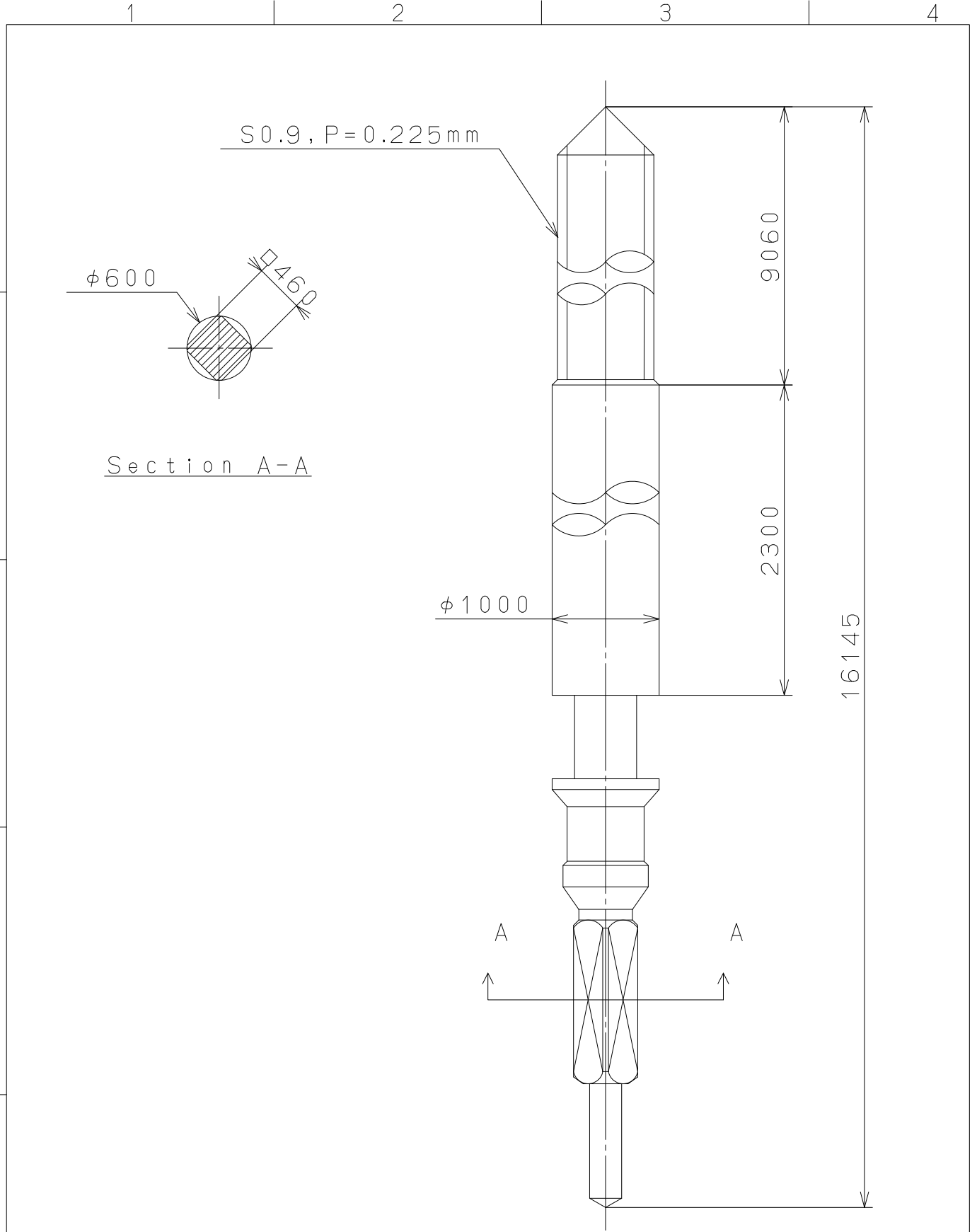
confidential papers 2013/03/25 (10:27:33)

This drawing is provisional and subject to our reconfirmation and/or revision without notice.



⑤			Quantity		Cal.NO.:
④			Unit	1/1000mm	FS80-00A
③			Scale	6:1	Parts No.:
②			Date		
①			Drawn		
Mark	Date	Description	Appro.	Checked	Name:
		Alterations		Approved	Indications for Dial
Material					Drawing No.: FS80D000
Heat Treatment			General Tolerances		MIYOTA CITIZEN WATCH CO., LTD. TOKYO, JAPAN
Hardness			Dimensions		
Plating			Angles		

This drawing is provisional and subject to our reconfirmation and/or revision without notice.



△5			Quantity		Cal.NO.:
△4			Unit	1 / 1000 mm	
△3			Scale	20 : 1	Parts No.:
△2			Date		065-549
△1			Drawn		
Mark	Date	Description	Appro.	Checked	M. Kobayashi
Alterations			Approved	Name: SETTING STEM	
Material					Drawing No.: 5490S000
Heat Treatment					MIYOTA CITIZEN WATCH CO., LTD. TOKYO, JAPAN
Hardness					
Plating					