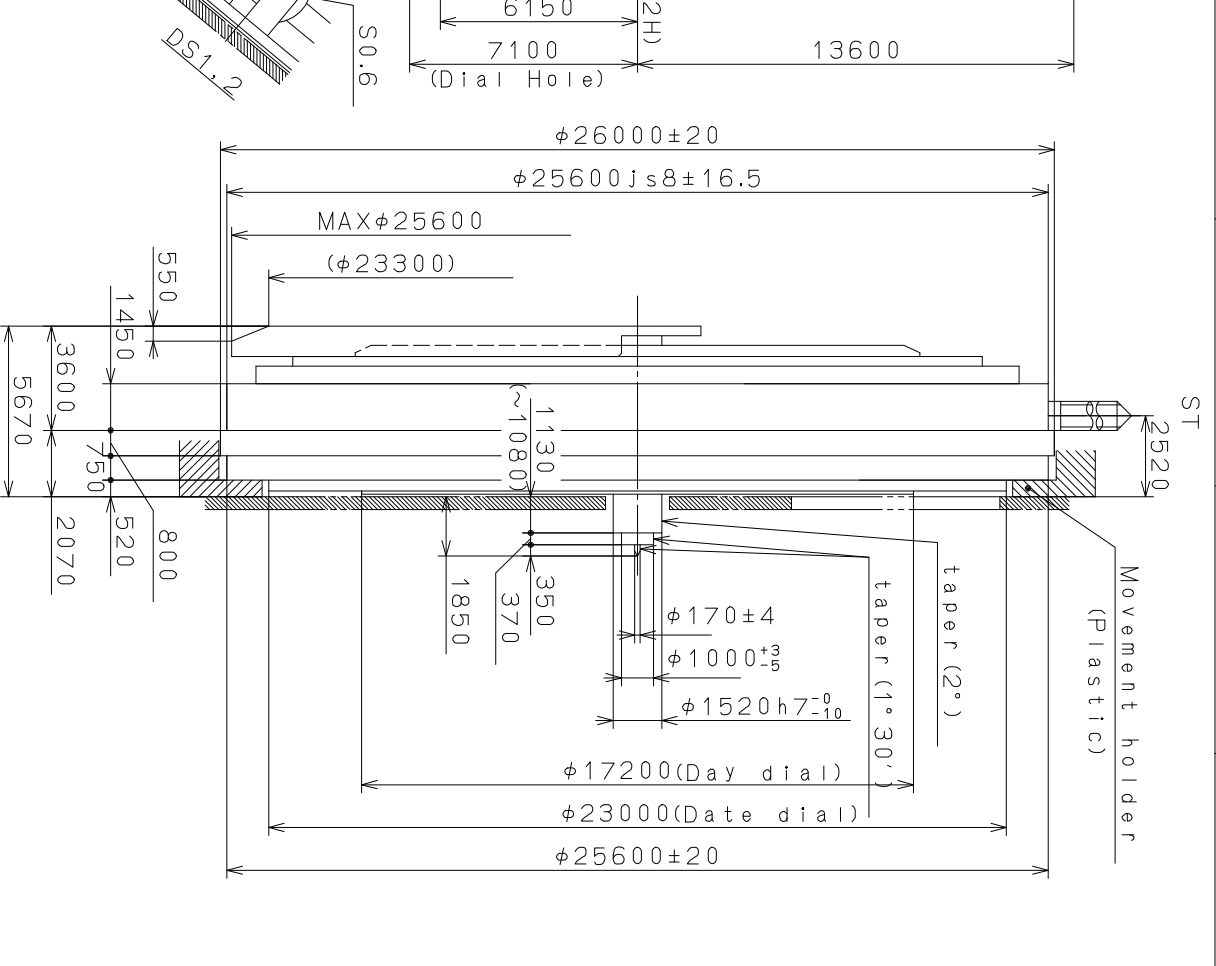


Material	Alterations	Quantity	Unit	Cal. No.:
Heat Treatment	Description	1/1000	mm	8205
Hardness	Appr.	Scale	6 : 1	Parts No.:
Plating	Drawn	Date		
	Checked			
	Approved			
	M. Kobayashi			Name:
	Frame for Case			Frame No.:
	8205C020			
General Tolerances				
Dimensions				
Angles				
MIYOTA CITIZEN WATCH CO., LTD. TOKYO, JAPAN				



DH1~DH2=23609

S0.9

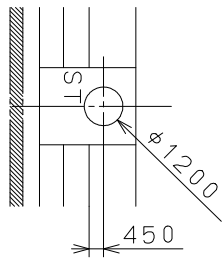
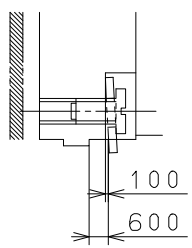
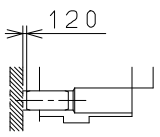
ST

Movement holder (Plastic)

Section P17, P18

Section CS1, CS2

Section A-A



1

2

3

4

5

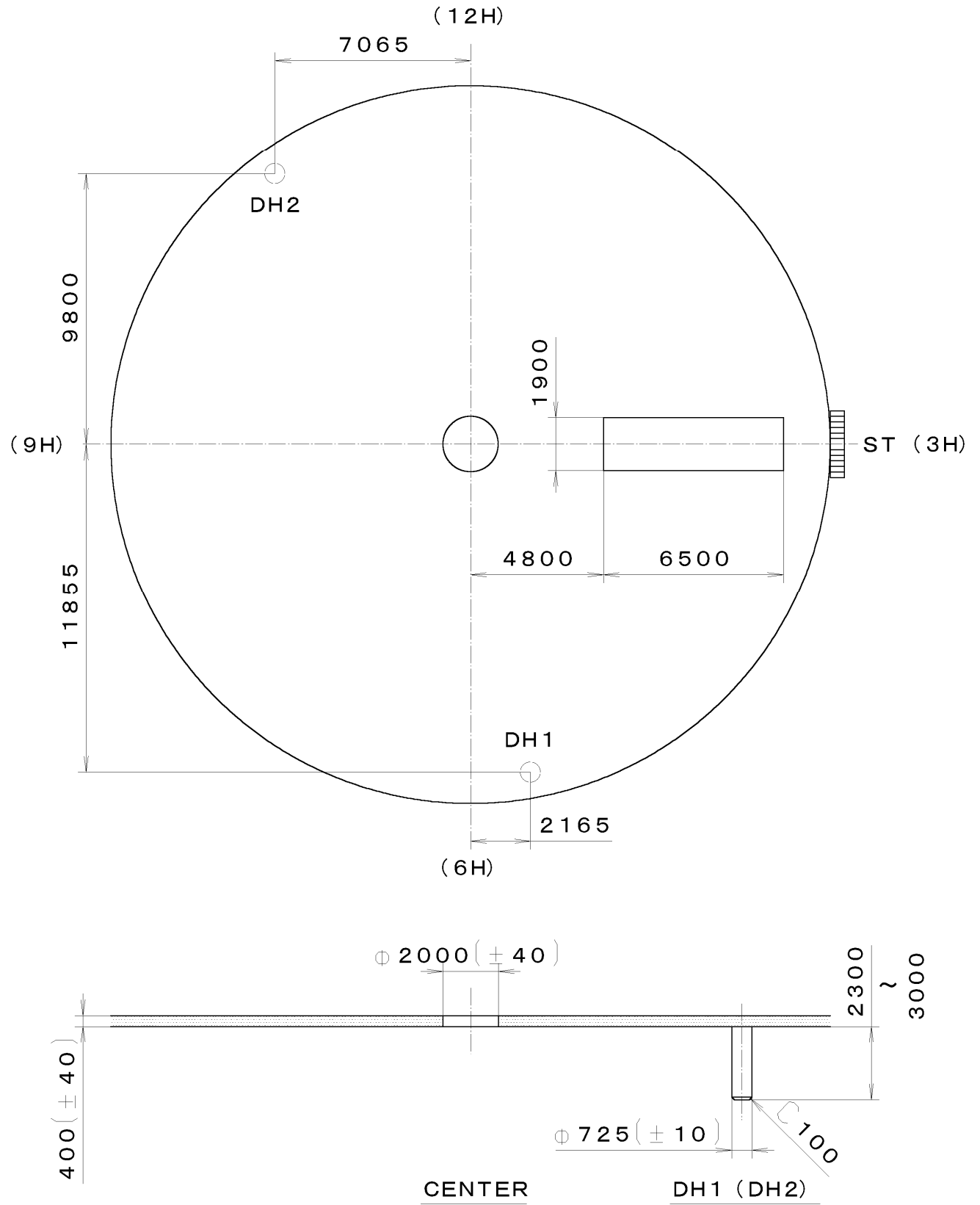
6

7

8

This drawing is provisional and subject to our reconfirmation and/or revision without notice.

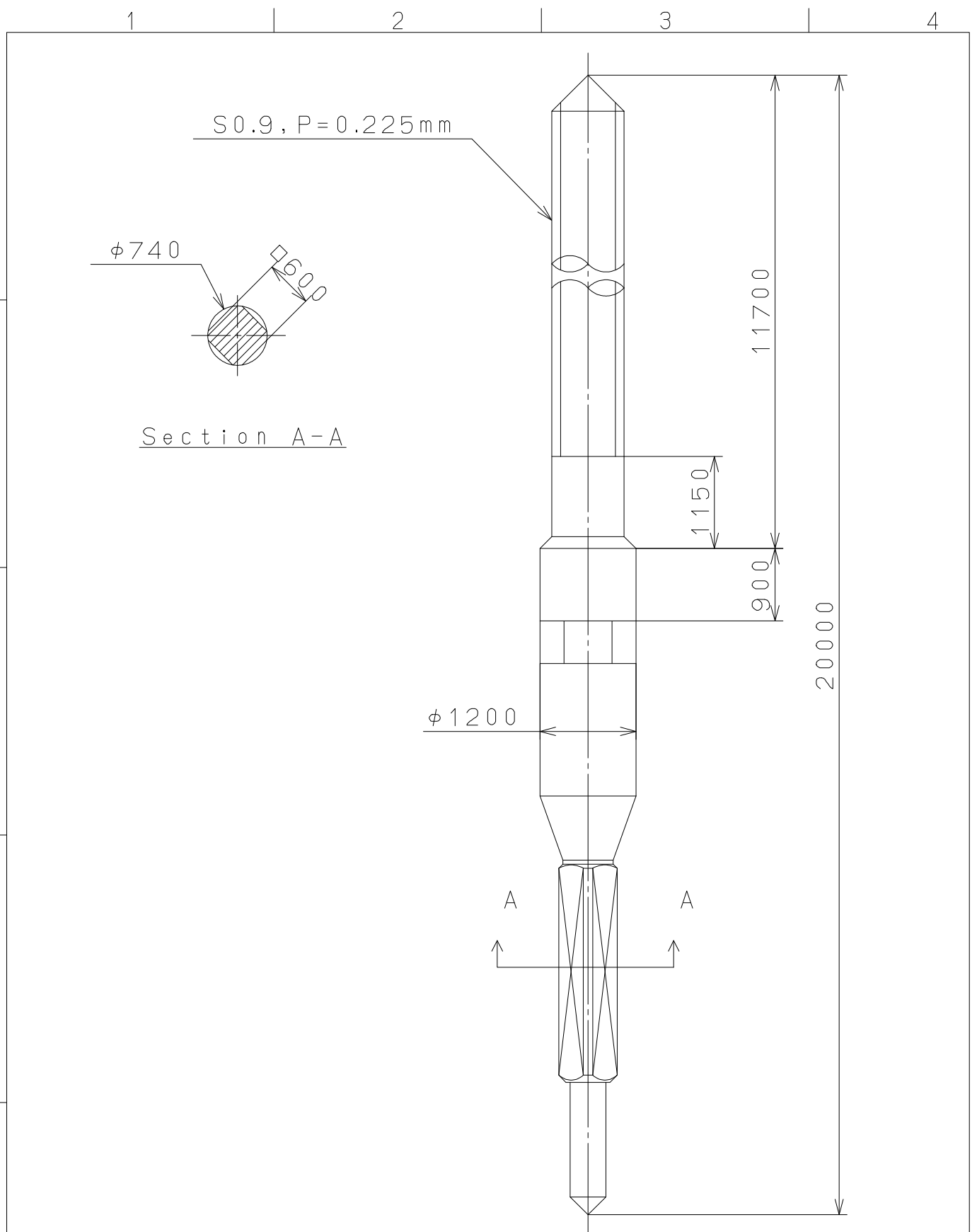
(01) *** 8205-AEB (2100 1121) 02-03-11



*** TIPW Material Heat Treatment Hardness Plating	(01) *** 8205-AEB (2100 1121) 02-03-11	Quantity	Cal. No. : 8205 (3H)
		Unit	1/1000 mm
		Scale	5:1
		Date	Parts :
		Drawn	Name :
		Checked	T. Hiruta
Approved			
		Indications for Dial	
		Drawing No. : 8205D001	
		General Tolerances	CITIZEN WATCH CO., LTD. TOKYO, JAPAN
		Dimensions	
		Angles	

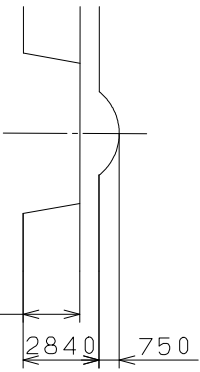
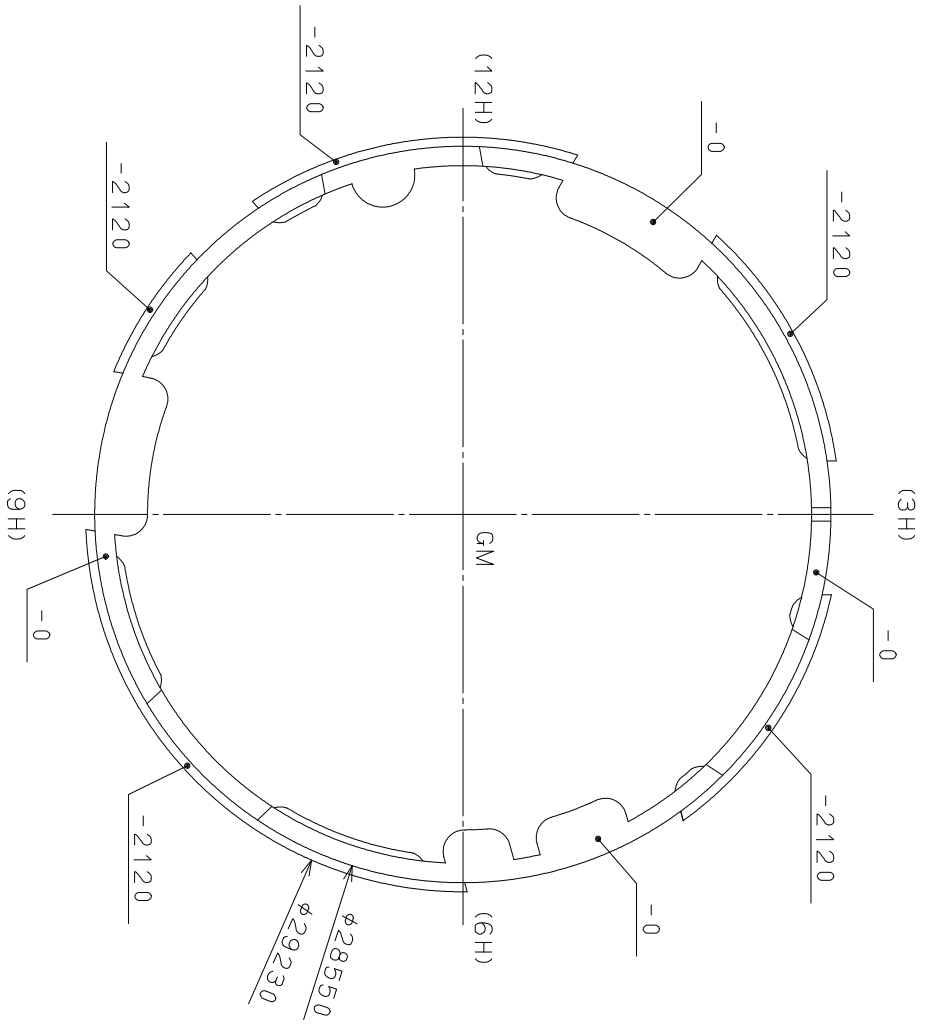
2008/11/14 (11:30:42)

This drawing is provisional and subject to our reconfirmation and/or revision without notice.

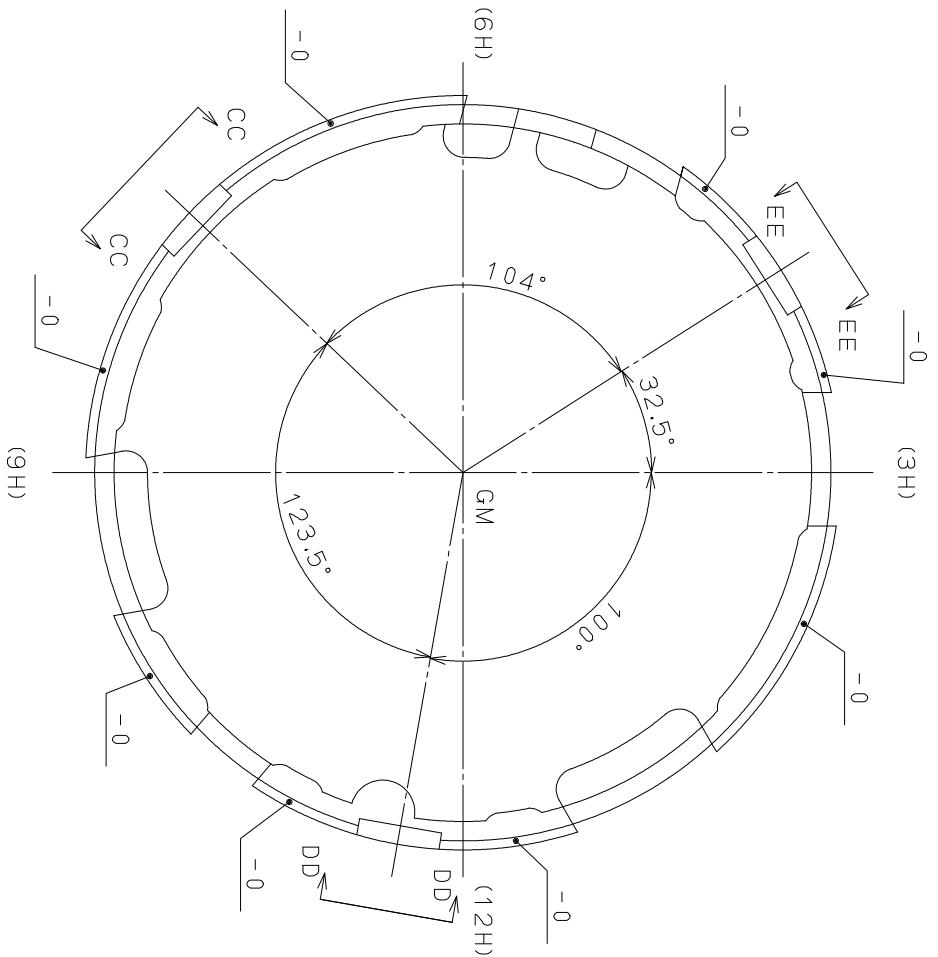


⑤			Quantity		Cal.NO.:
④			Unit	1/1000mm	
③			Scale	15:1	Parts No.:
②			Date		065-212
①			Drawn		
Mark	Date	Description	Appr.	Checked	Name:
		Alterations	Approved	N. Suzuki	SETTING STEM
Material					Drawing No.:2120S001
Heat Treatment			General Tolerances	MIYOTA CITIZEN WATCH CO.,LTD. TOKYO,JAPAN	
Hardness			Dimensions		
Plating			Angles		

This drawing is provisional and subject to our reconfirmation and/or revision without notice.



View CC-CC
DD-DD, EE-EE



△	Quantity	1/1000 mm	Call. NO.:
△	Unit	5 : 1	Parts No.:
△	Scale	500-710	Drawn
△	Date		Checked
△	Date		Approved
△	Mark	N. Suzuki	Name:
△	Date		Casing Holder
△	Alterations		Approved
△	Material		Drawing No.: 8200E003
△	Heat Treatment		General Tolerances
△	Hardness		Dimensions
△	Plating		Angles

MIYOTA

CITIZEN WATCH CO., LTD. TOKYO, JAPAN