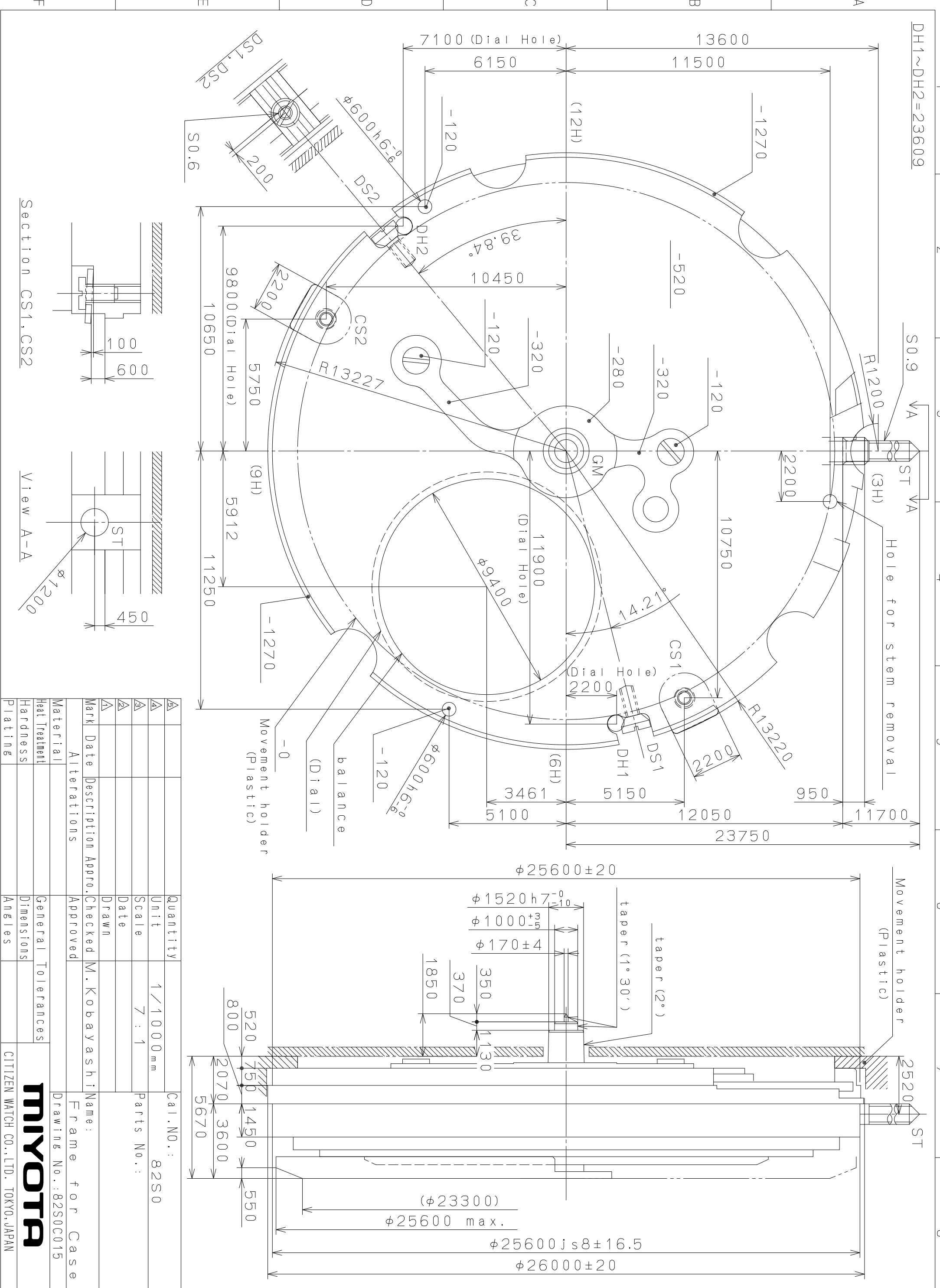


This drawing is provisional and subject to our reconfirmation and/or revision without notice.



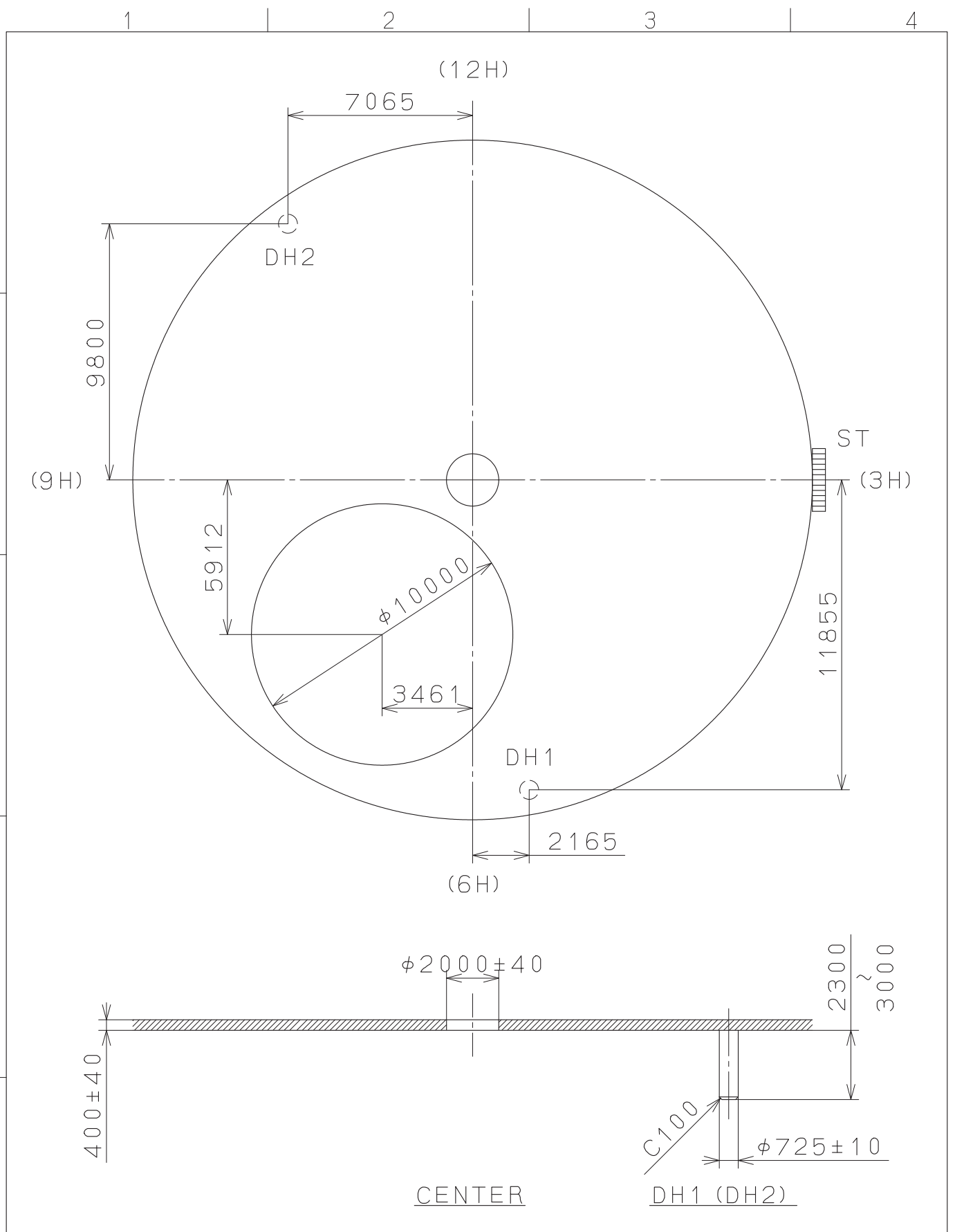
Section CS1, CS2

View A-A

Material	Alterations	Quantity	Unit	Cal. NO.:
Heat Treatment	Date	1	1/1000 mm	82S0
Hardness	Description	Scale	7 : 1	Parts No.:
Plating	Checked	Drawn	M. Kobayashi	Name:
	Approved			Frame for Case
				Drawing No.: 82S0C015
				<b>MIYOTA</b>
				CITIZEN WATCH CO., LTD. TOKYO, JAPAN

2008/05/13 (14:06:23)

This drawing is provisional and subject to our reconfirmation and/or revision without notice.



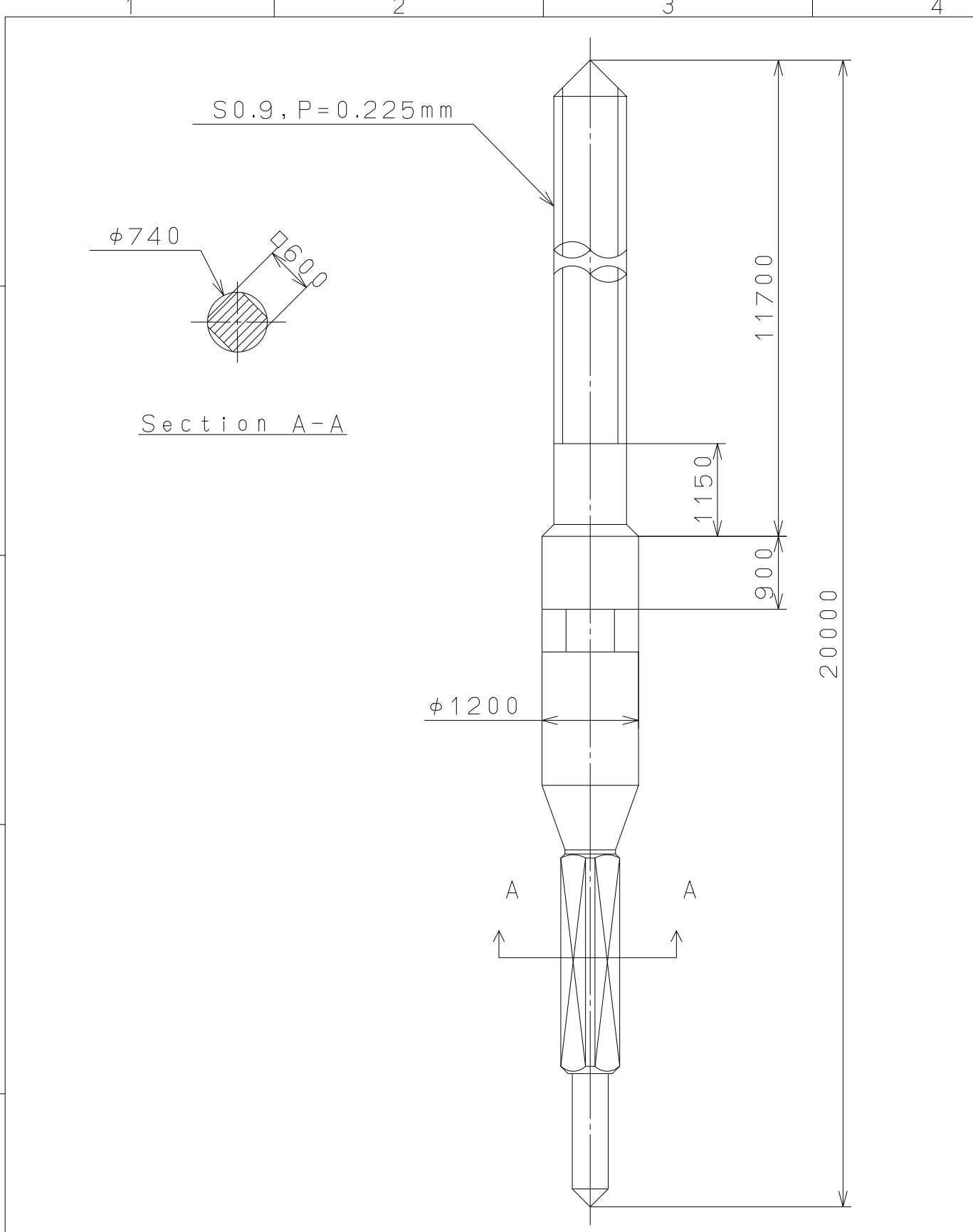
△5			Quantity		Cal. NO.:	<b>82S0-43G</b>
△4			Unit	1 / 1000 mm	Parts No.:	
△3			Scale	5 : 1	Name:	
△2			Date		Indications for Dial	
△1			Drawn		Drawing No.:	82S0D000
Mark	Date	Description	Appr.	Checked	N. Suzuki	
Alterations			Approved			
Material				General Tolerances		
Heat Treatment				Dimensions		
Hardness				Angles		
Plating				CITIZEN WATCH CO., LTD. TOKYO, JAPAN		

**MIYOTA**

2008/11/14 (11:30:42)

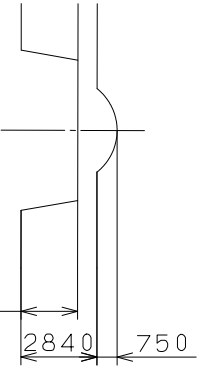
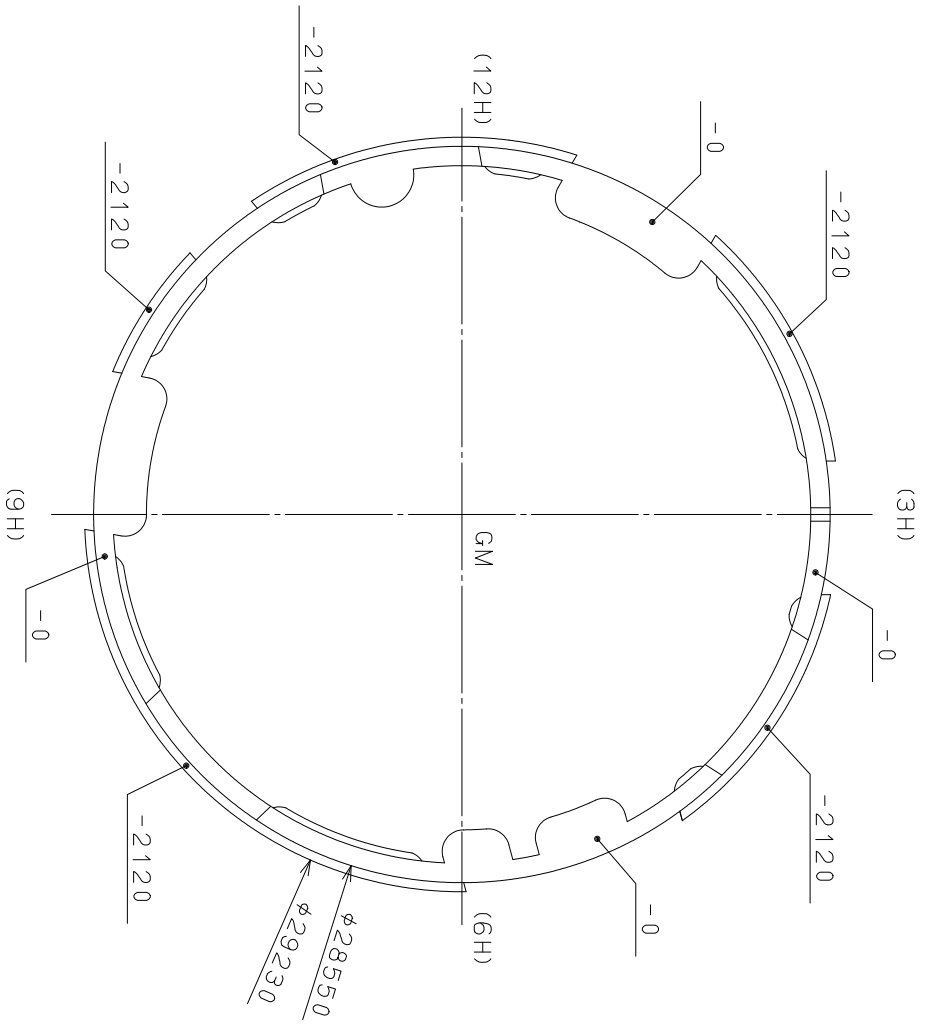
This drawing is provisional and subject to our reconfirmation and/or revision without notice.

A  
B  
C  
D  
E  
F

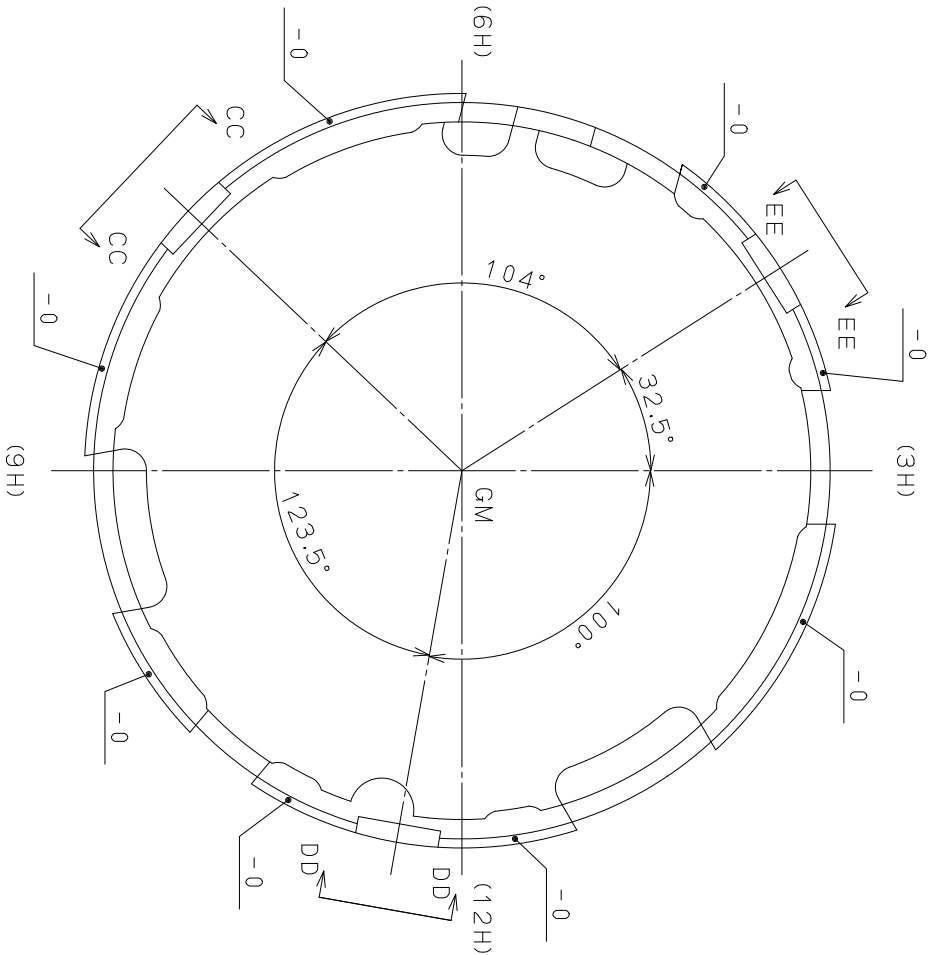


△			Quantity		Cal.NO.:
△			Unit	1/1000mm	
△			Scale	15:1	Parts No.:
△			Date		065-212
△			Drawn		
Mark	Date	Description	Appr.	Checked	Name:
		Alterations	Approved	N. Suzuki	SETTING STEM
Material					Drawing No.: 2120S001
Heat Treatment			General Tolerances	<b>MIYOTA</b> CITIZEN WATCH CO., LTD. TOKYO, JAPAN	
Hardness			Dimensions		
Plating			Angles		

This drawing is provisional and subject to our reconfirmation and/or revision without notice.



View CC-CC  
DD-DD, EE-EE



△	Quantity	1/1000 mm	Call. NO.:
△	Unit	5 : 1	Parts No.:
△	Scale	Drawn	500-710
△	Date	Checked	Name:
△	Mark	Approved	N. Suzuki
△	Date	Approved	Casing Holder
△	Material	Alterations	Drawing No.: 8200E003
△	Heat Treatment	General Tolerances	<b>MIYOTA</b>
△	Hardness	Dimensions	
△	Plating	Angles	
			CITIZEN WATCH CO., LTD. TOKYO, JAPAN