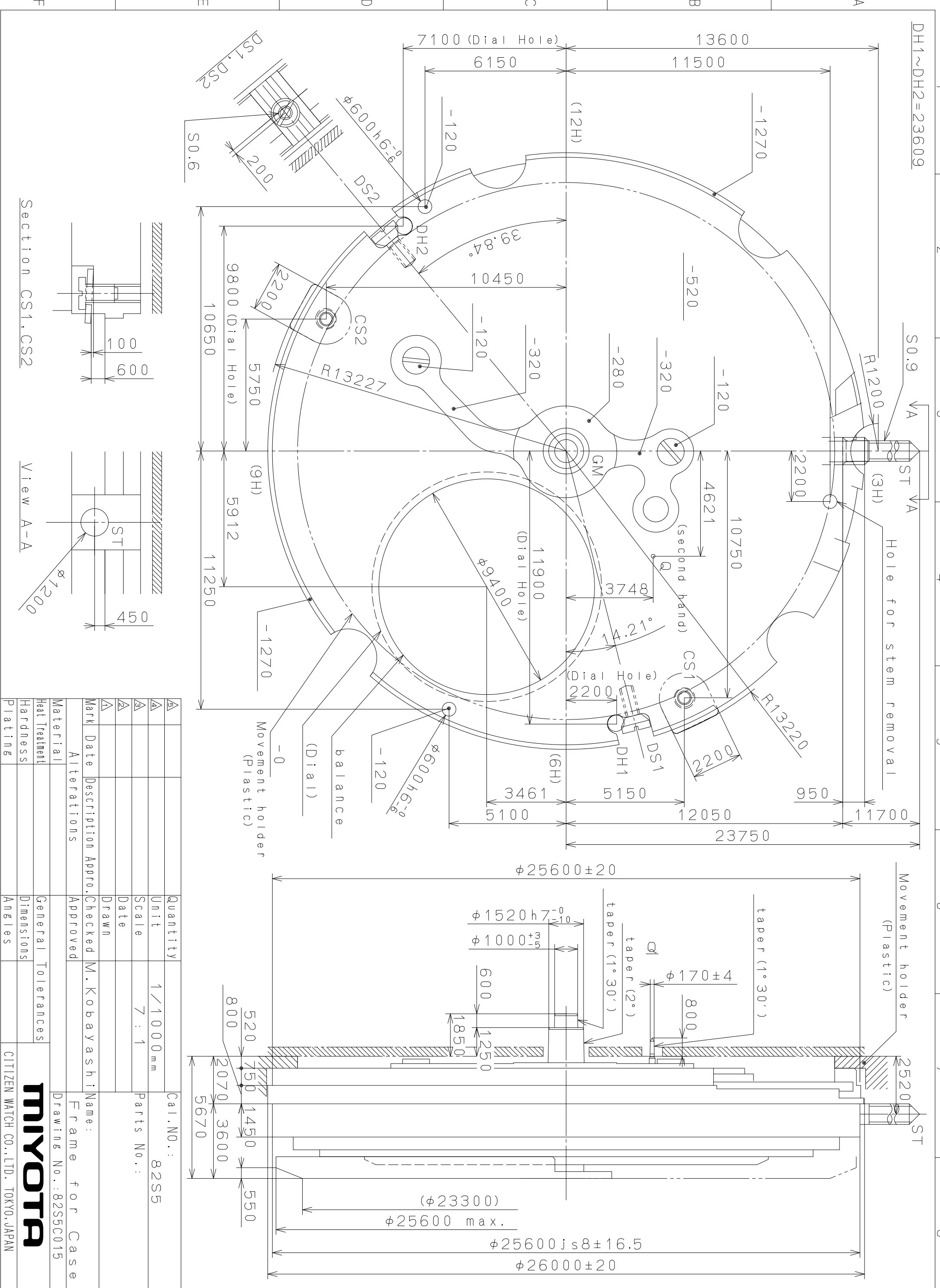


This drawing is provisional and subject to our reconfirmation and/or revision without notice.



Section CS1, CS2

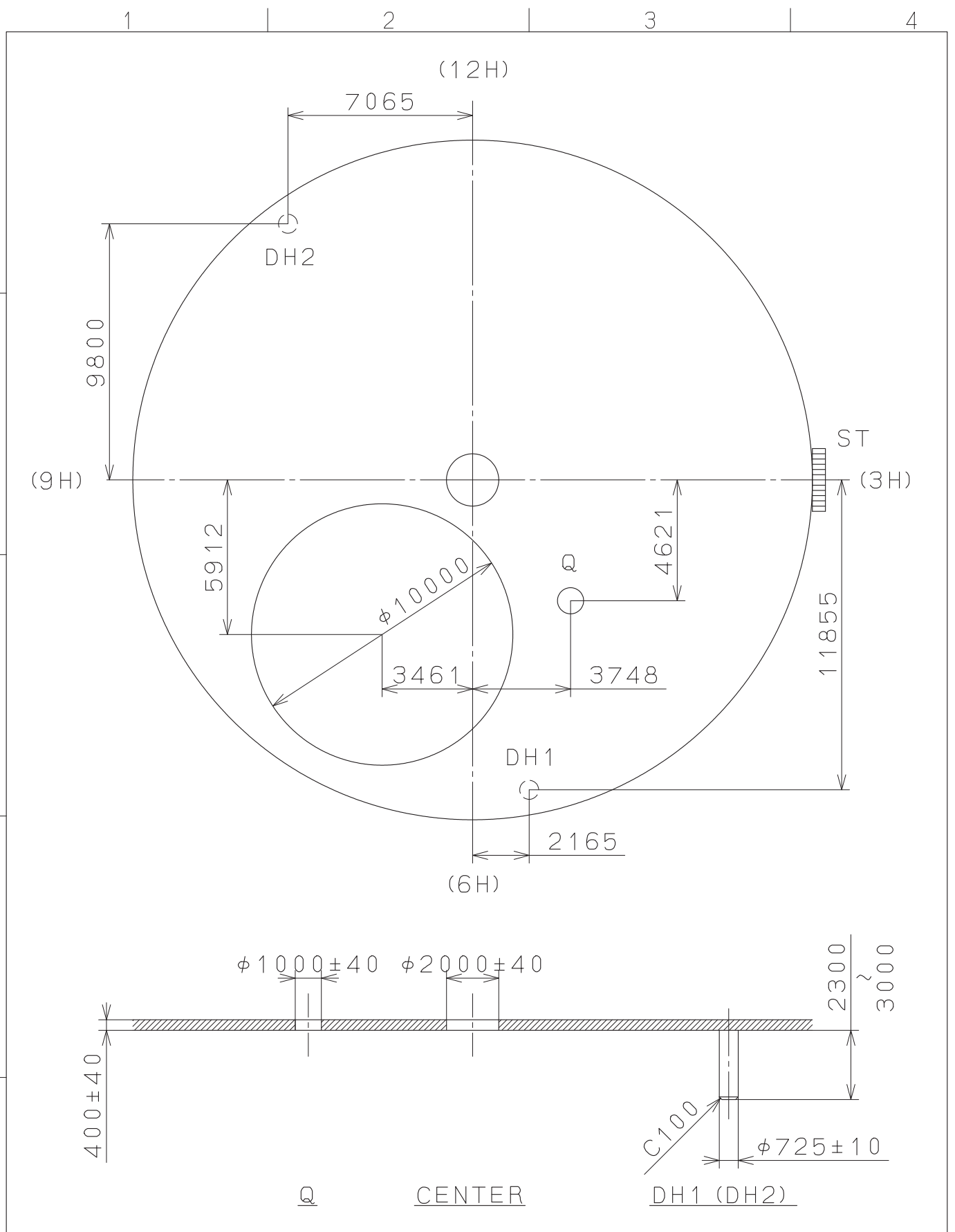
View A-A

Material	Alterations	Quantity	Unit	Cal. NO.:
Heat Treatment	Date	1/1000	mm	82SS5
Hardness	Description	Scale	Date	Parts No.:
Plating	Approved	7:1	Drawn	
	Checked			
	Approved			
	Name: M. Kobayashi			
	Frame for Case			
	Drawing No.: 82SS5C015			
	CITIZEN WATCH CO., LTD. TOKYO, JAPAN			

**MIYOTA**

2008/05/13 (14:07:18)

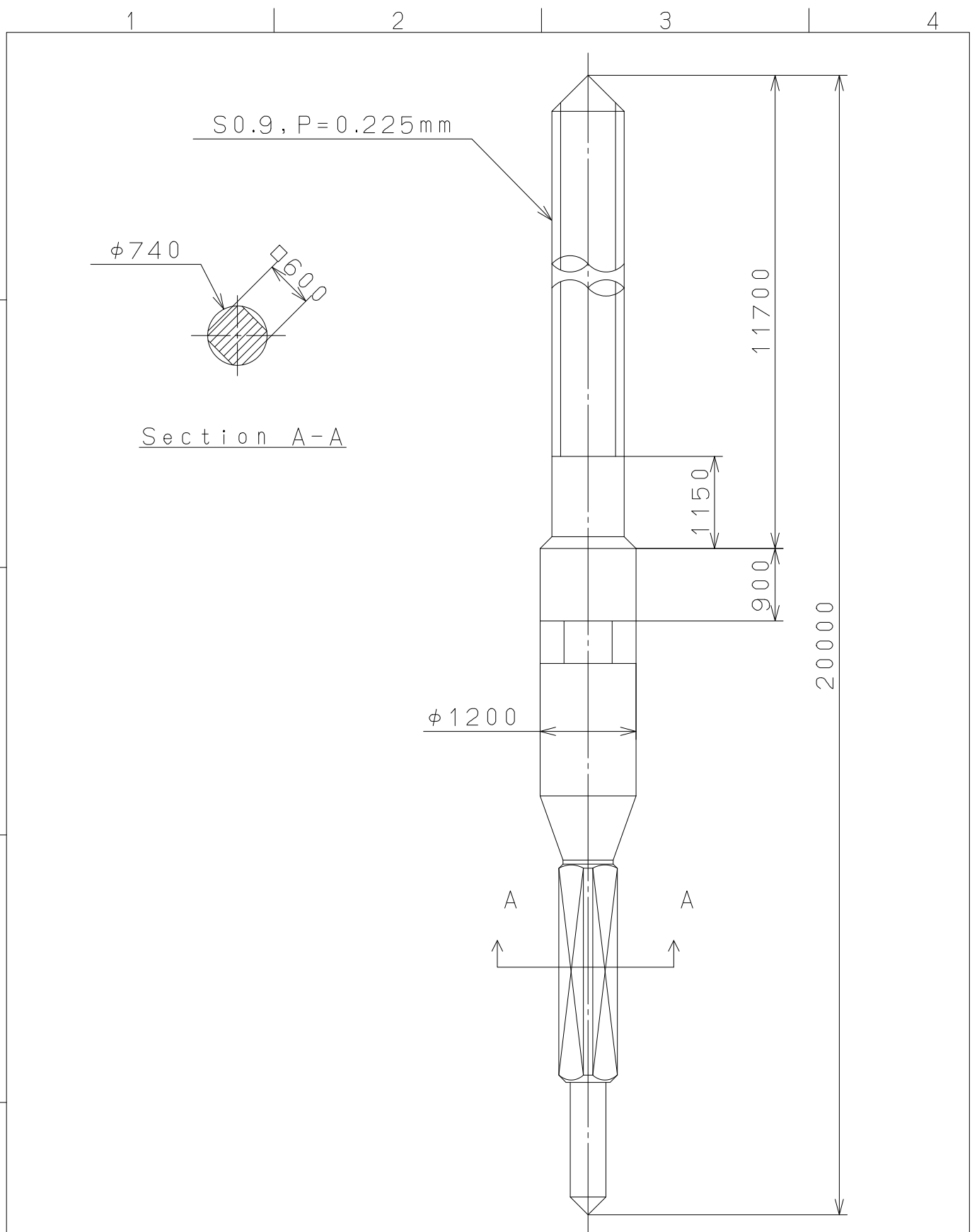
This drawing is provisional and subject to our reconfirmation and/or revision without notice.



△5			Quantity		Cal.NO.: <b>82S5-43G</b>
△4			Unit	1 / 1000 mm	
△3			Scale	5 : 1	Parts No.:
△2			Date		
△1			Drawn		
Mark	Date	Description	Appr.	Checked	Name:
		Alterations	Approved	N. Suzuki	Indications for Dial
Material					Drawing No.: 82S5D000
Heat Treatment			General Tolerances		<b>MIYOTA</b>
Hardness			Dimensions		
Plating			Angles		
					CITIZEN WATCH CO., LTD. TOKYO, JAPAN

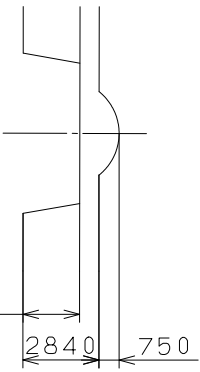
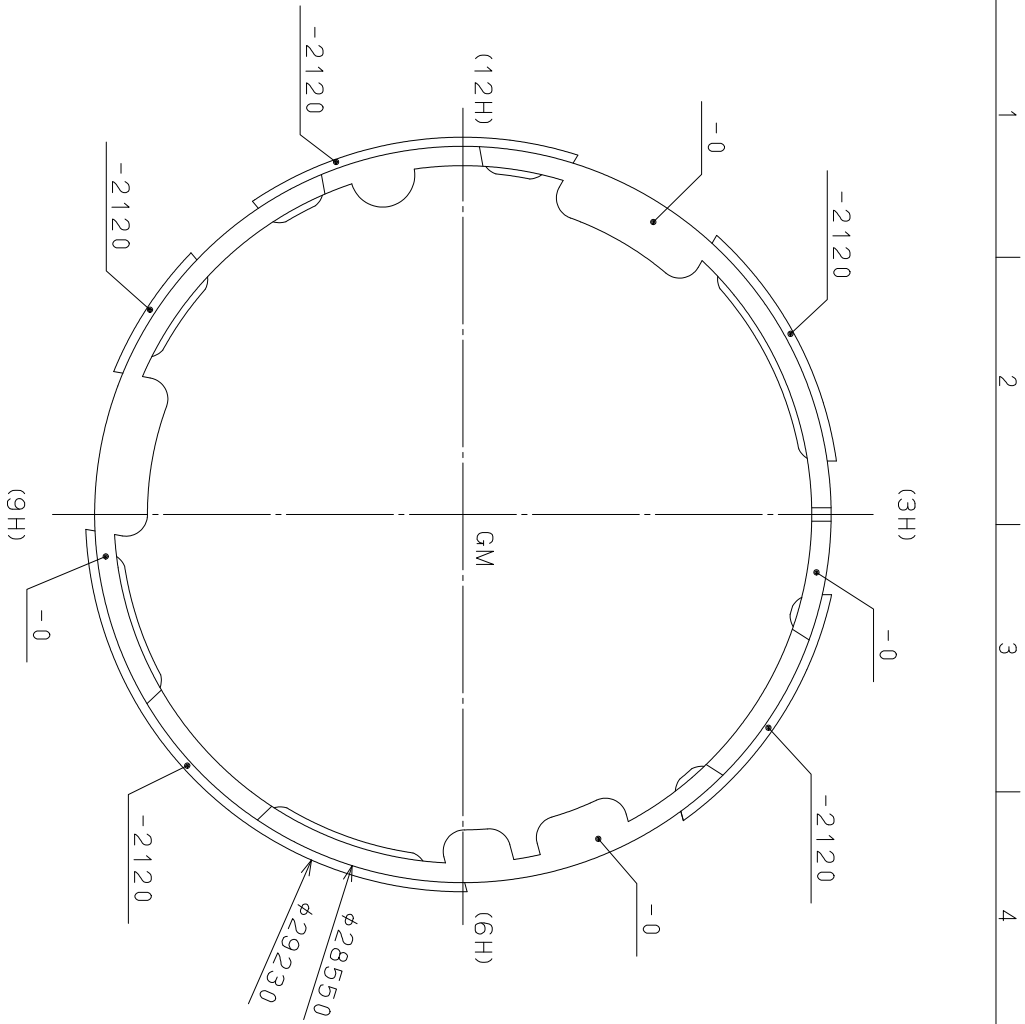
2008/11/14 (11:30:42)

This drawing is provisional and subject to our reconfirmation and/or revision without notice.

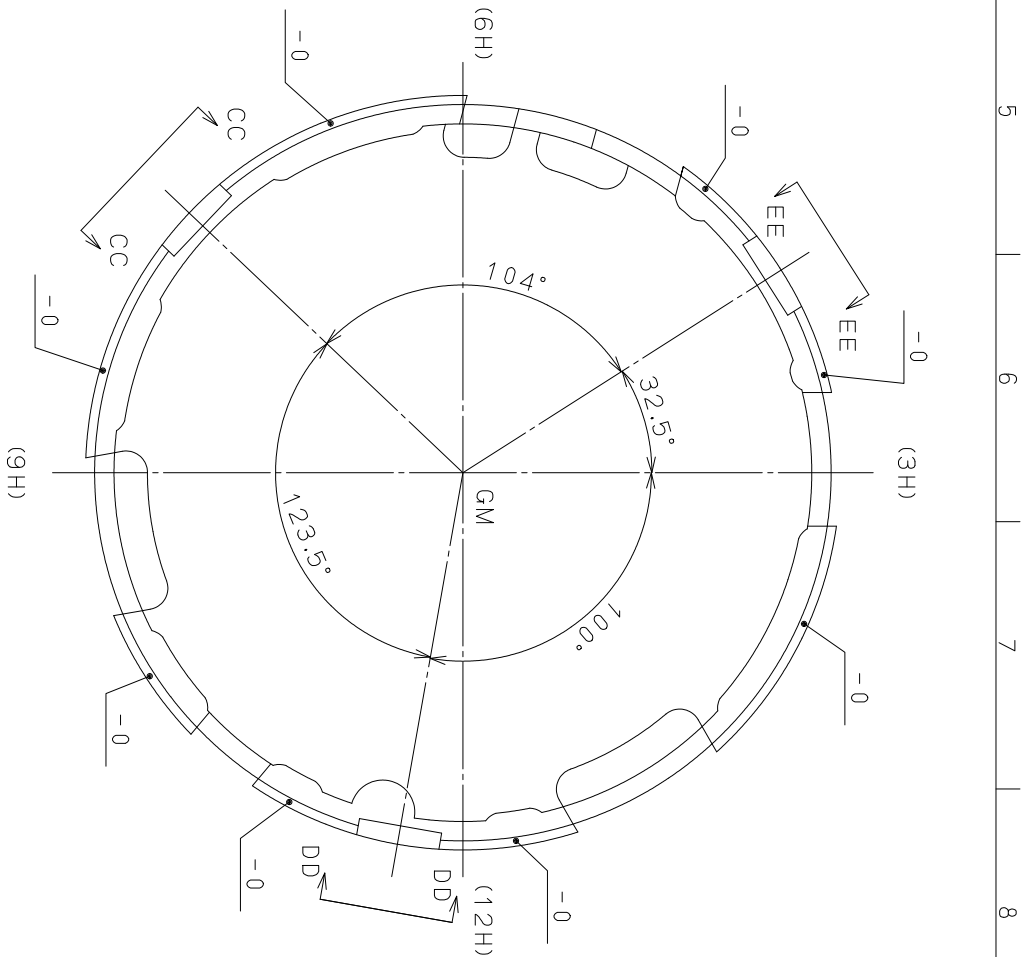


△5			Quantity		Cal.NO.:
△4			Unit	1/1000mm	
△3			Scale	15:1	Parts No.:
△2			Date		065-212
△1			Drawn		
Mark	Date	Description	Appr.	Checked	Name:
		Alterations	Approved	N. Suzuki	SETTING STEM
Material					Drawing No.: 2120S001
Heat Treatment			General	Tolerances	<b>MIYOTA</b>
Hardness			Dimensions		
Plating			Angles		
					CITIZEN WATCH CO., LTD. TOKYO, JAPAN

This drawing is provisional and subject to our reconfirmation and/or revision without notice.



View CC-CC  
DD-DD, EE-EE



△	Quantity	1/1000 mm	Call. NO.:
△	Unit	5 : 1	Parts No.:
△	Scale	Drawn	500-710
△	Date	Checked	Name:
△	Mark	Approved	N. Suzuki
△	Date	Approved	Casing Holder
△	Material	Alterations	Drawing No.: 8200E003
△	Heat Treatment	General Tolerances	<b>MIYOTA</b>
△	Hardness	Dimensions	
△	Plating	Angles	
			CITIZEN WATCH CO., LTD. TOKYO, JAPAN