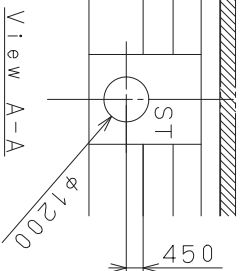
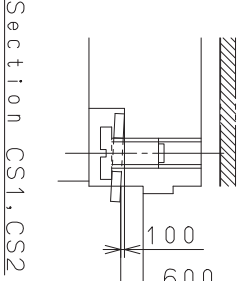
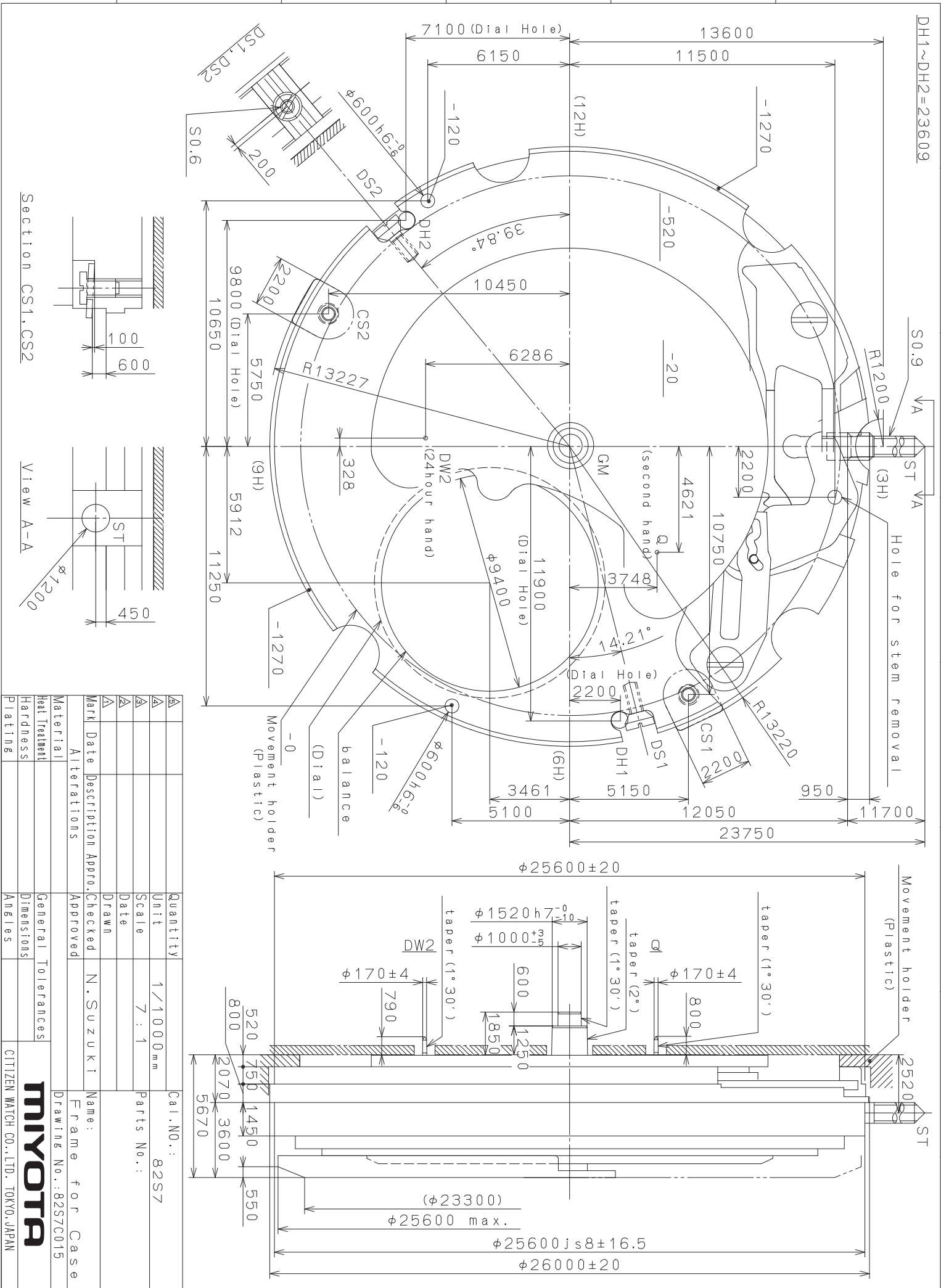


This drawing is provisional and subject to our reconfirmation and/or revision without notice.

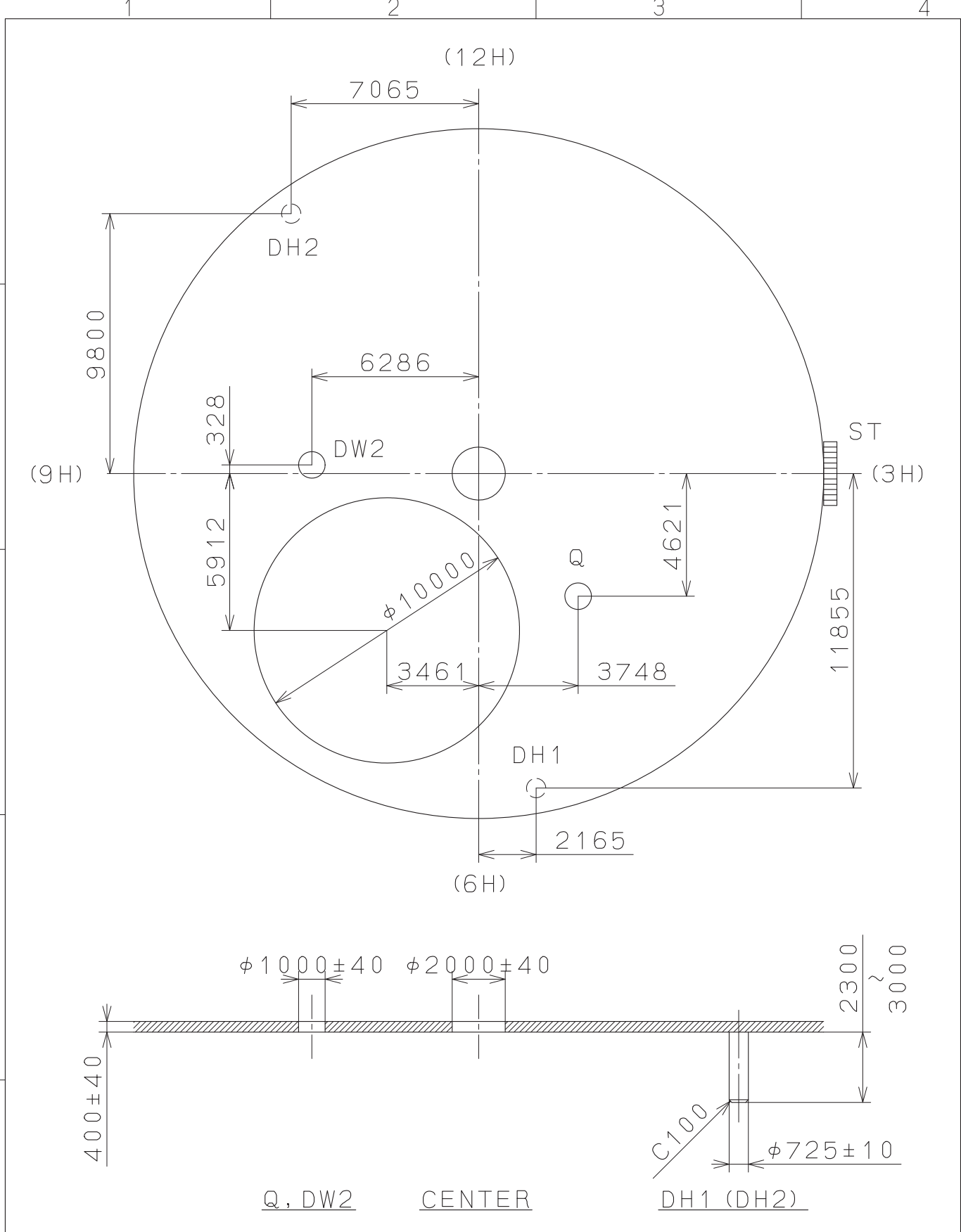


Material	Alterations	Quantity	Unit	Cal. NO.:
Heat Treatment		1/1000	mm	82S7
Hardness		Scale	7 : 1	Parts No.:
Plating		Date		
		Drawn		
		Checked		
		Approved		
		Name:	N. Suzuki	
		Name:	Frame for Case	
		Drawing No.:	82S7C015	
		General Tolerances		
		Dimensions		
		Angles		

**MIYOTA**  
CITIZEN WATCH CO., LTD. TOKYO, JAPAN

2007/10/30 (08:41:42)

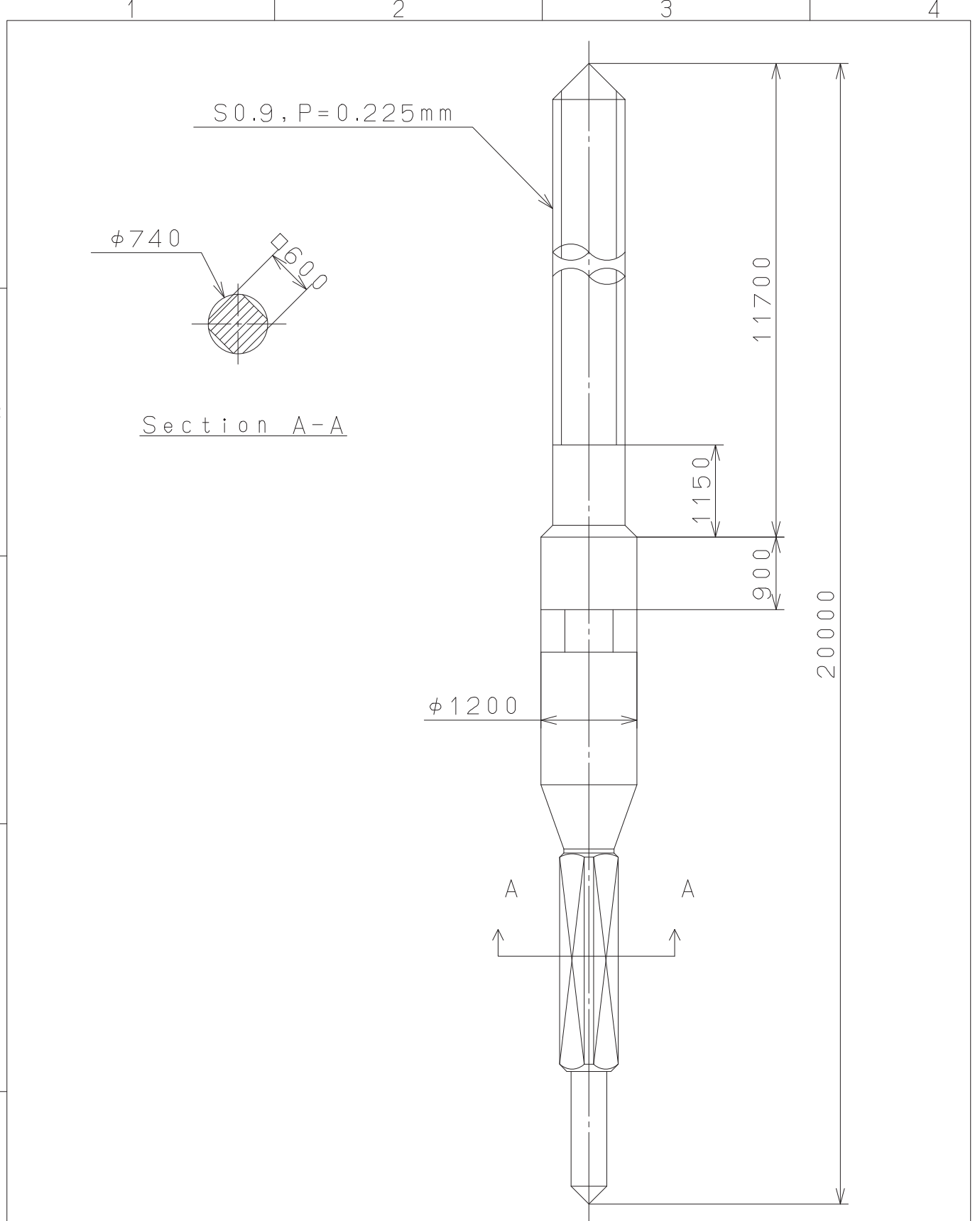
This drawing is provisional and subject to our reconfirmation and/or revision without notice.



⑤			Quantity		Cal. NO.:	<b>82S7-43A</b>
④			Unit	1 / 1000 mm		
③			Scale	5 : 1	Parts No.:	
②			Date			
①			Drawn			
Mark	Date	Description	Appr.	Checked	Name:	
		Alterations		Approved	Indications for Dial	
Material					Drawing No.: 82S7D000	
Heat Treatment					<b>MIYOTA</b> CITIZEN WATCH CO., LTD. TOKYO, JAPAN	
Hardness						
Plating						

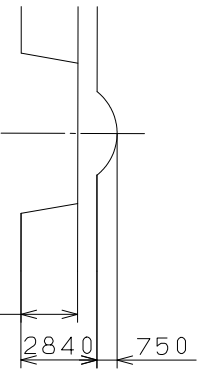
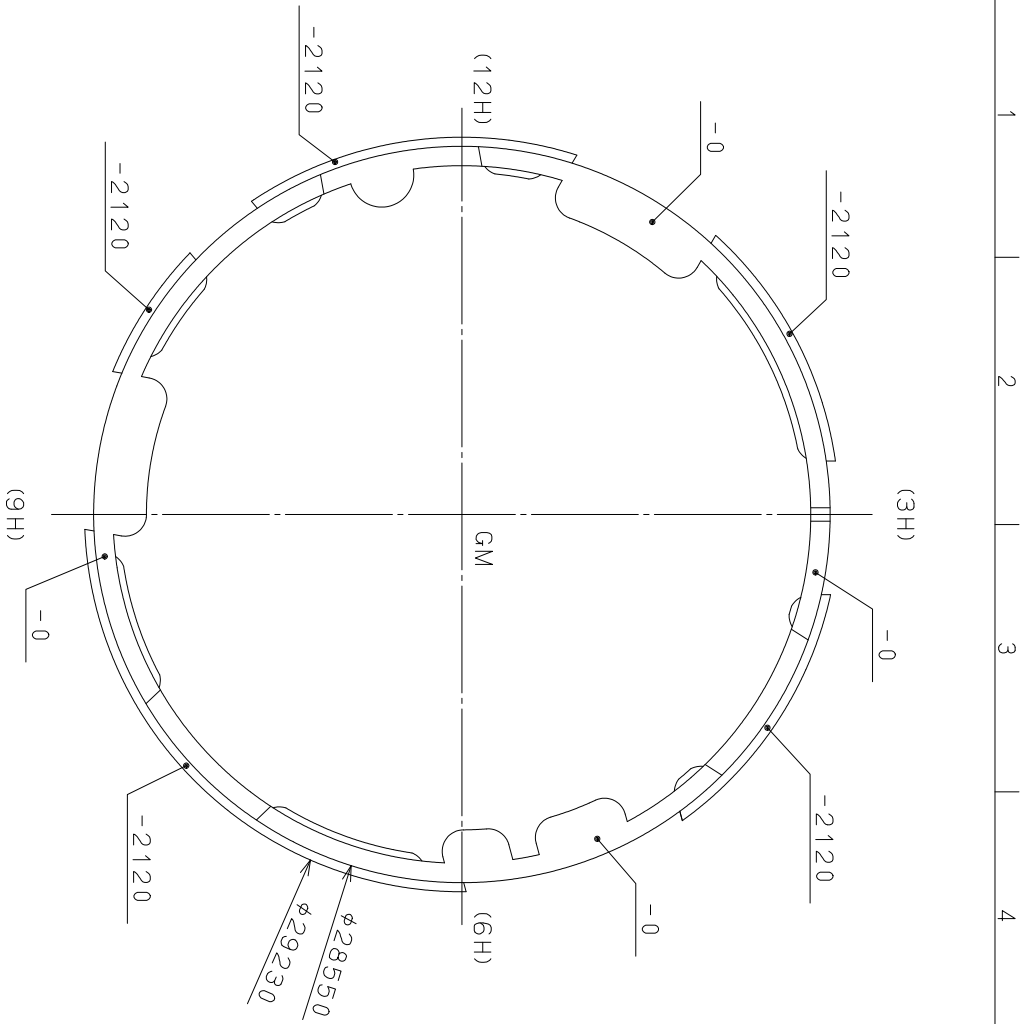
2008/11/14 (11:30:42)

This drawing is provisional and subject to our reconfirmation and/or revision without notice.

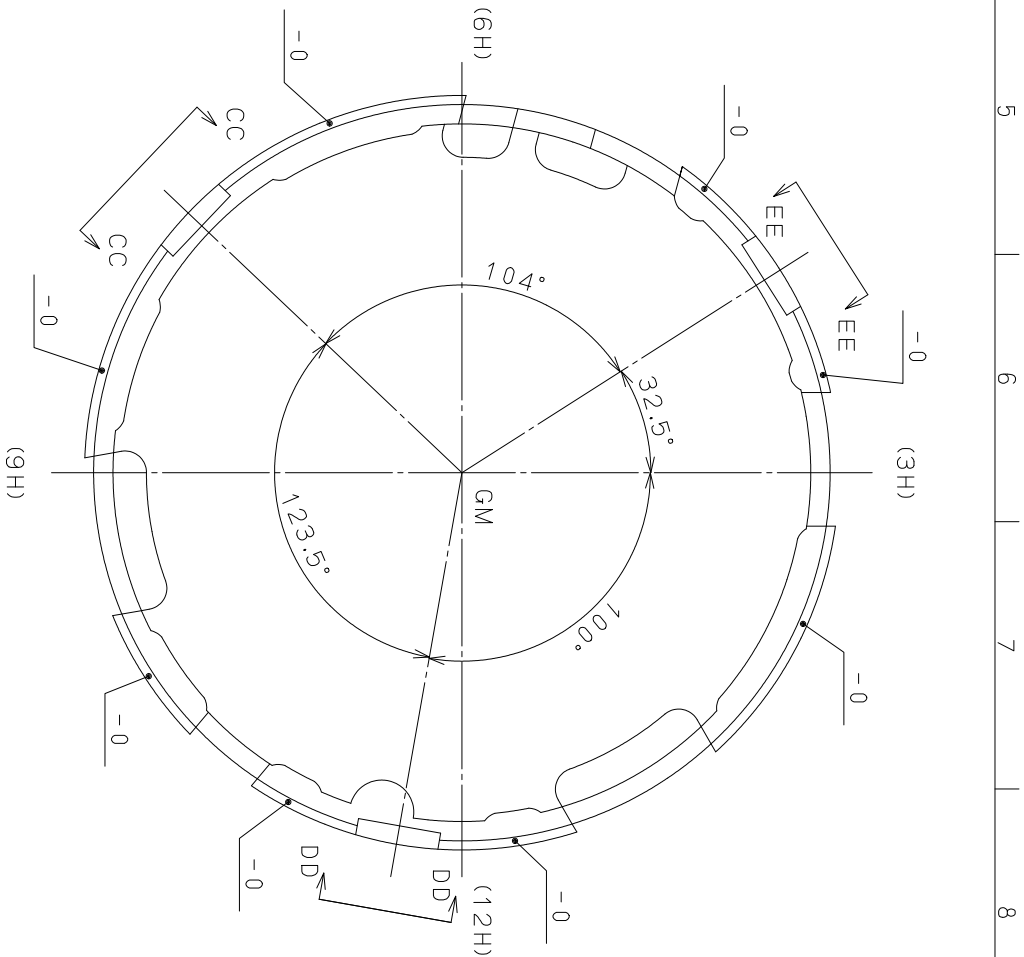


⑤			Quantity		Cal.NO.:
④			Unit	1/1000mm	
③			Scale	15:1	Parts No.:
②			Date		065-212
①			Drawn		
Mark	Date	Description	Appr.	Checked	Name:
		Alterations	Approved	N. Suzuki	SETTING STEM
Material					Drawing No.: 2120S001
Heat Treatment			General Tolerances	<b>MIYOTA</b> CITIZEN WATCH CO., LTD. TOKYO, JAPAN	
Hardness			Dimensions		
Plating			Angles		

This drawing is provisional and subject to our reconfirmation and/or revision without notice.



View CC-CC  
DD-DD, EE-EE



△	Quantity	1/1000 mm	Call. NO.:
△	Unit	5 : 1	Parts No.:
△	Scale	500-710	
△	Date		
△	Date		
△	Drawn		
Mark	Date	Checked	Name:
Alterations	Description	Approved	Casing Holder
Material			Drawing No.: 8200E003
Heat Treatment			
Hardness			
Plating			
	General Tolerances		
	Dimensions		
	Angles		

**MIYOTA**

CITIZEN WATCH CO., LTD. TOKYO, JAPAN