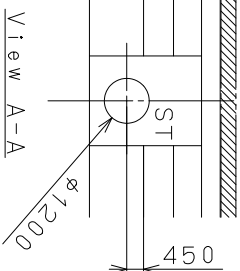
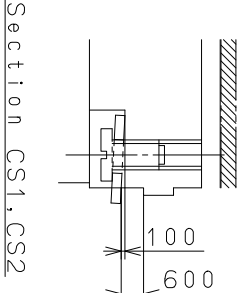
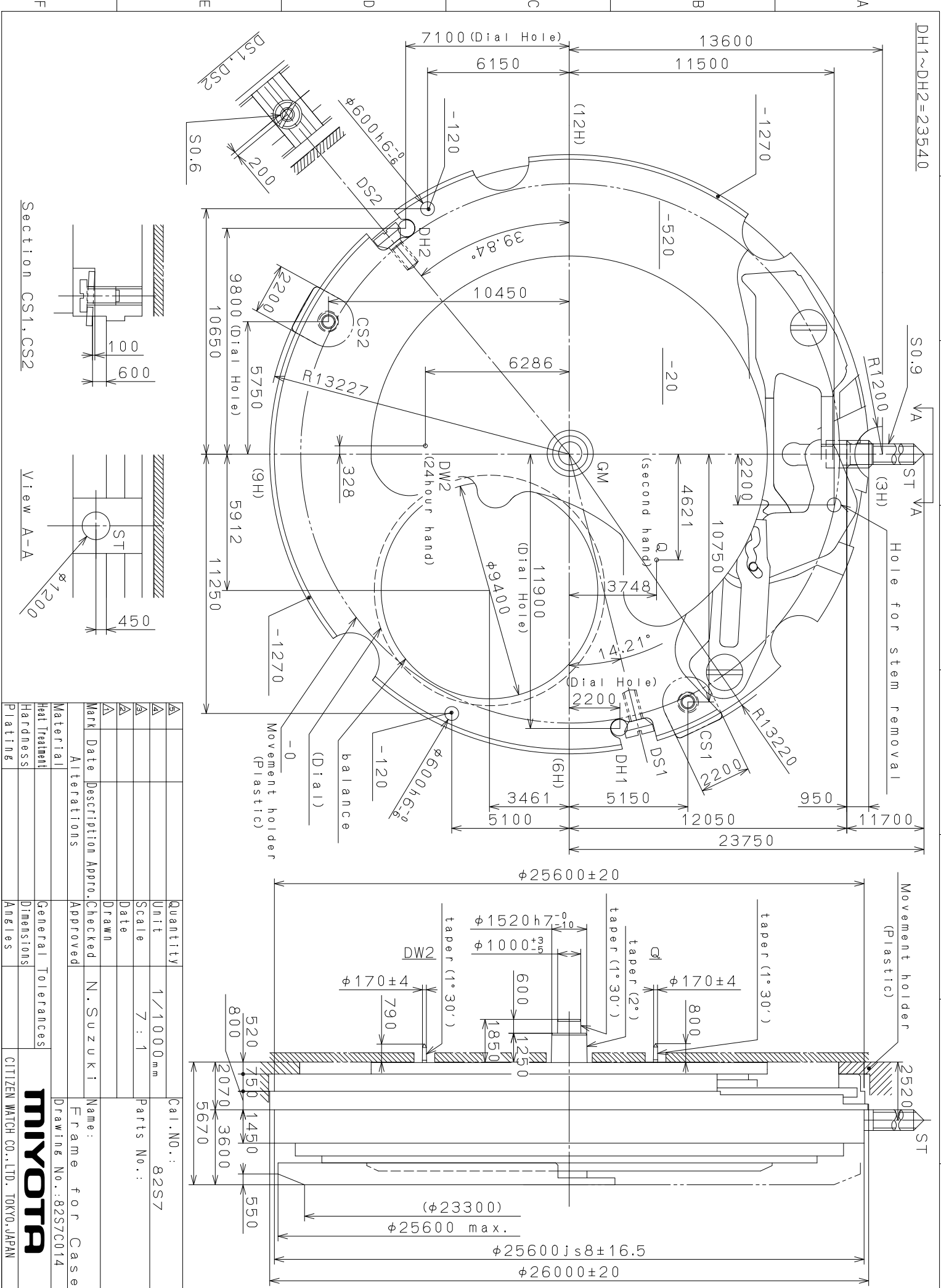


This drawing is provisional and subject to our reconfirmation and/or revision without notice.

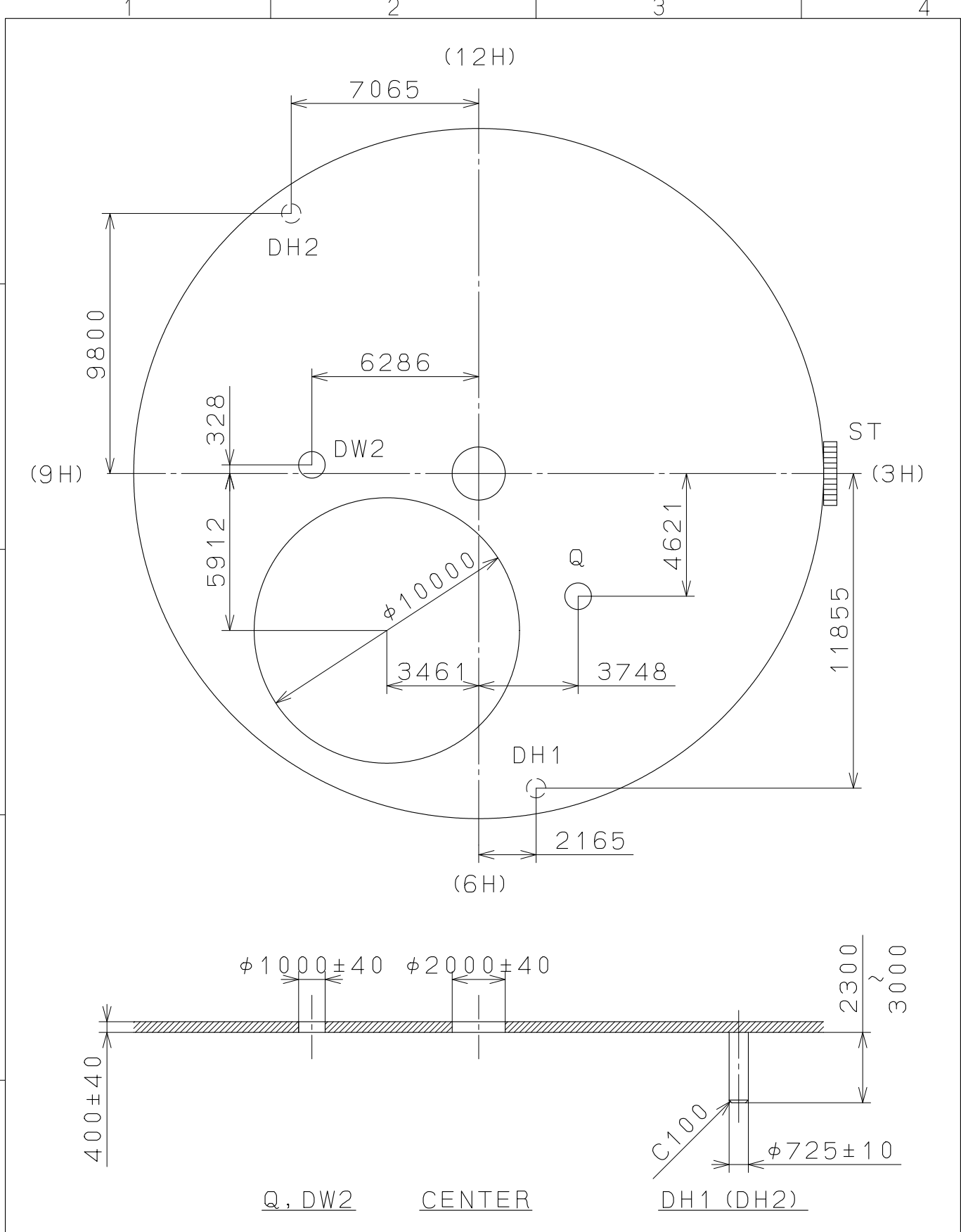


△	Quantity	Unit	1/1000 mm	Cal. No.:	82S7
△	Scale	7 : 1	Parts No.:		
△	Date				
△	Drawn				
△	Checked	N. Suzuki	Name:	Frame for Case	
△	Approved		Drawing No.:	82S7C014	
△	Alterations				
△	Material				
△	Heat Treatment				
△	Hardness				
△	Plating				
	General Tolerances				
	Dimensions				
	Angles				

**MIYOTA**  
CITIZEN WATCH CO., LTD. TOKYO, JAPAN

2007/10/30 (08:41:42)

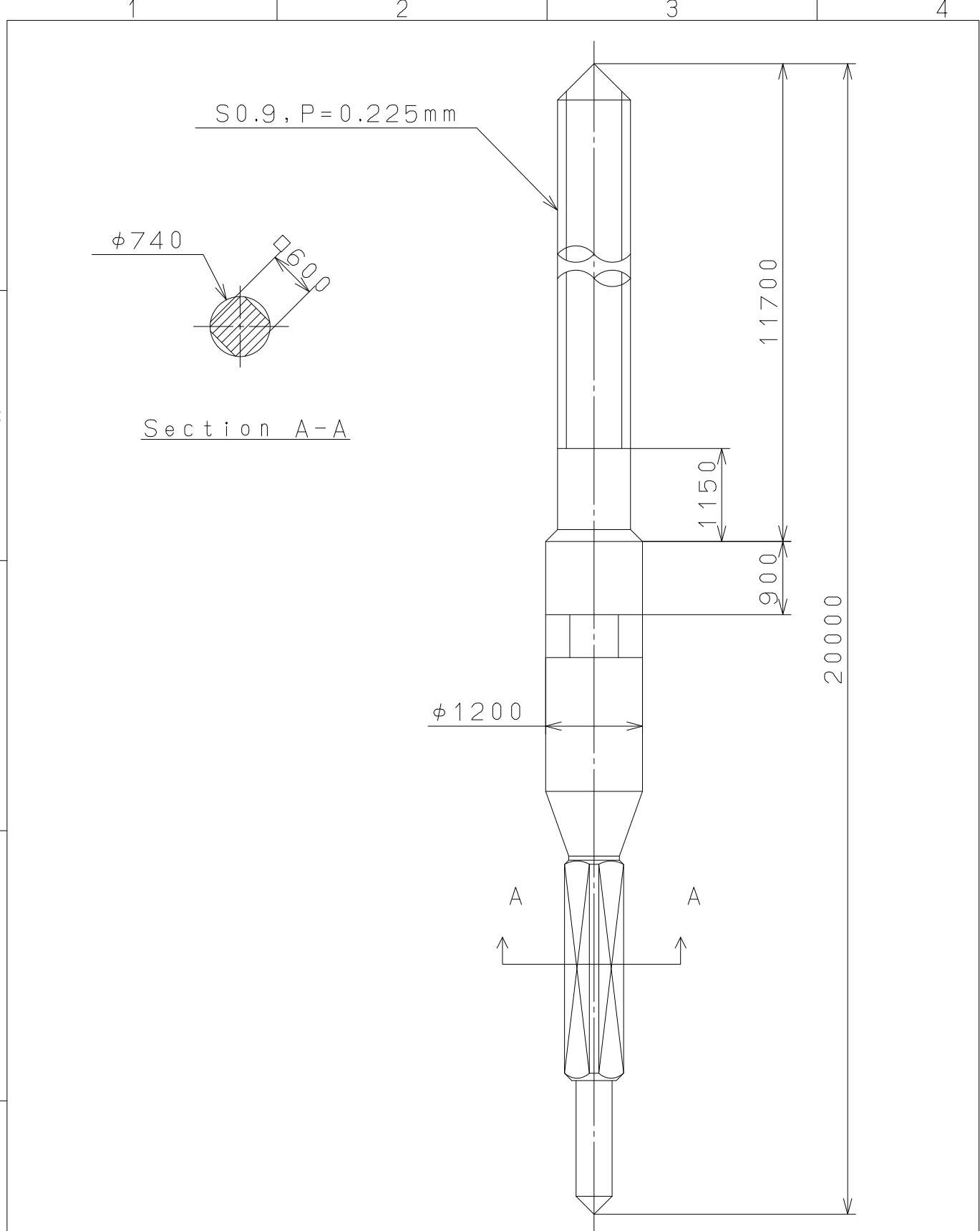
This drawing is provisional and subject to our reconfirmation and/or revision without notice.



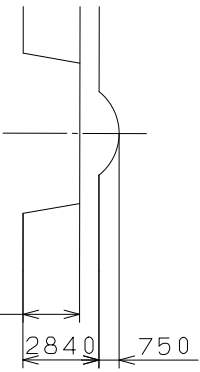
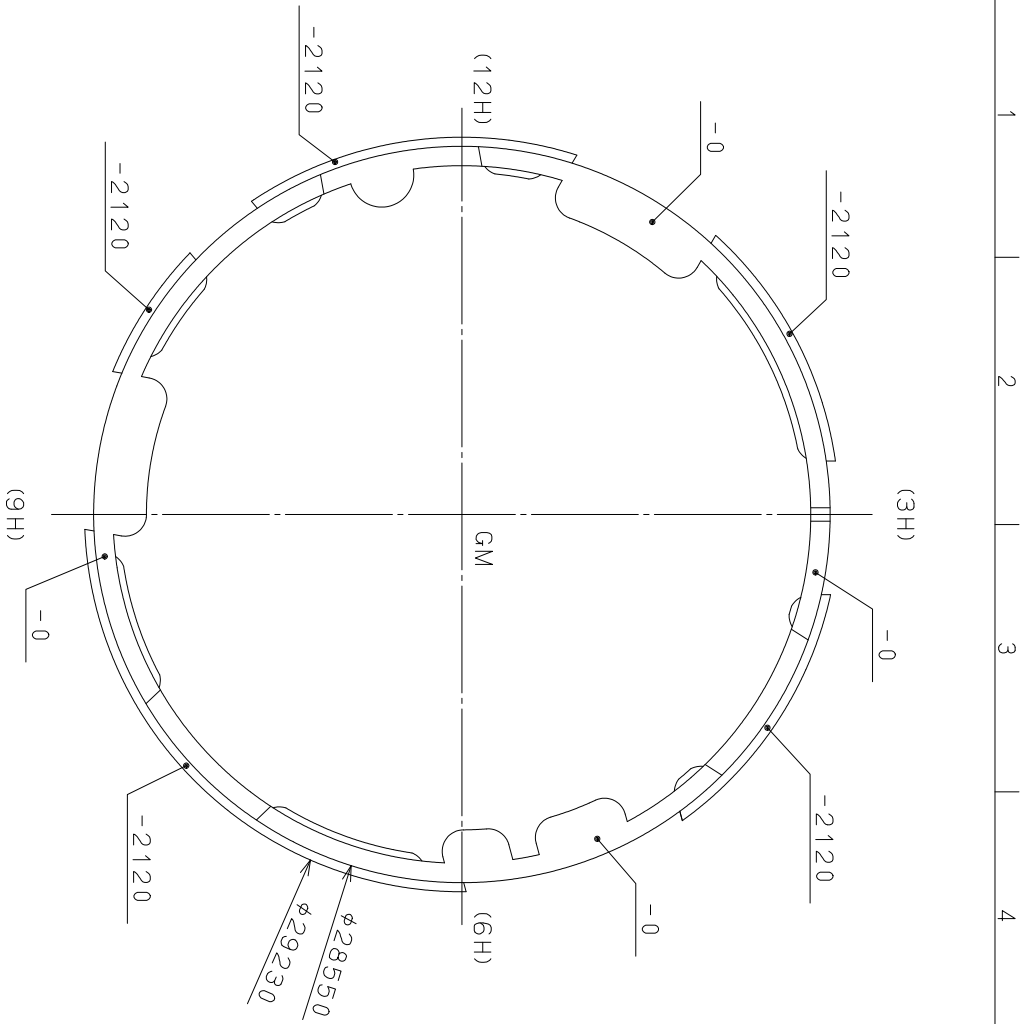
△			Quantity		Cal. NO.:	<b>82S7-43G</b>
△			Unit	1 / 1000 mm	Parts No.:	
△			Scale	5 : 1	Name: Indications for Dial Drawing No.: 82S7D000	
△			Date			
△			Drawn			
Mark	Date	Description	Appr.	Checked	N. Suzuki	
Alterations			Approved			
Material					 CITIZEN WATCH CO., LTD. TOKYO, JAPAN	
Heat Treatment						
Hardness						
Plating						

2008/11/14 (11:30:42)

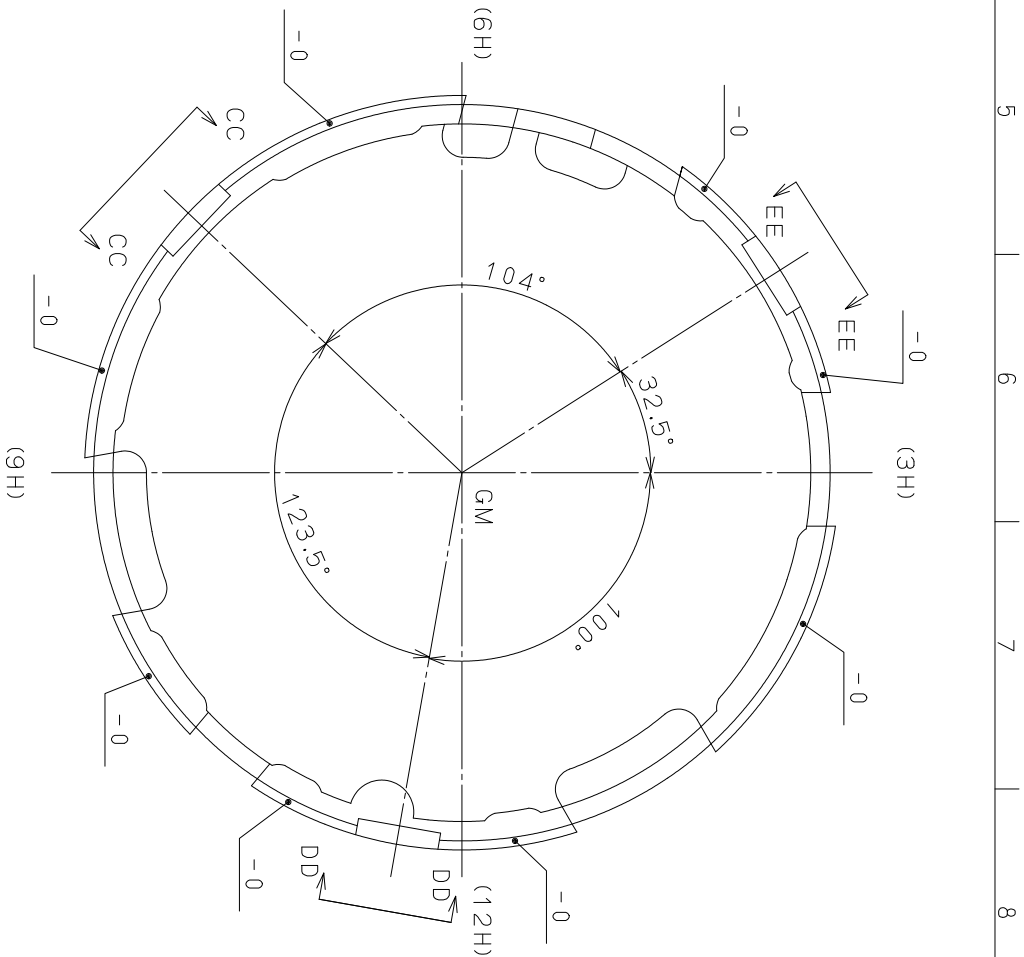
This drawing is provisional and subject to our reconfirmation and/or revision without notice.



⑤			Quantity		Cal.NO.:
④			Unit	1/1000mm	
③			Scale	15:1	Parts No.:
②			Date		065-212
①			Drawn		
Mark	Date	Description	Appr.	Checked	Name:
		Alterations	Approved	N. Suzuki	SETTING STEM
Material					Drawing No.: 2120S001
Heat Treatment			General Tolerances	<b>MIYOTA</b> CITIZEN WATCH CO., LTD. TOKYO, JAPAN	
Hardness			Dimensions		
Plating			Angles		



View CC-CC  
DD-DD, EE-EE



△	Quantity	1/1000 mm	Call. NO.:
△	Unit	5 : 1	Parts No.:
△	Scale	Drawn	500-710
△	Date	Checked	Name:
△	Mark	Approved	N. Suzuki
Material		Casing Holder	
Heat Treatment		Drawing No.: 8200E003	
Hardness		General Tolerances	
Plating		Dimensions	
		Angles	
		CITIZEN WATCH CO., LTD. TOKYO, JAPAN	

**MIYOTA**