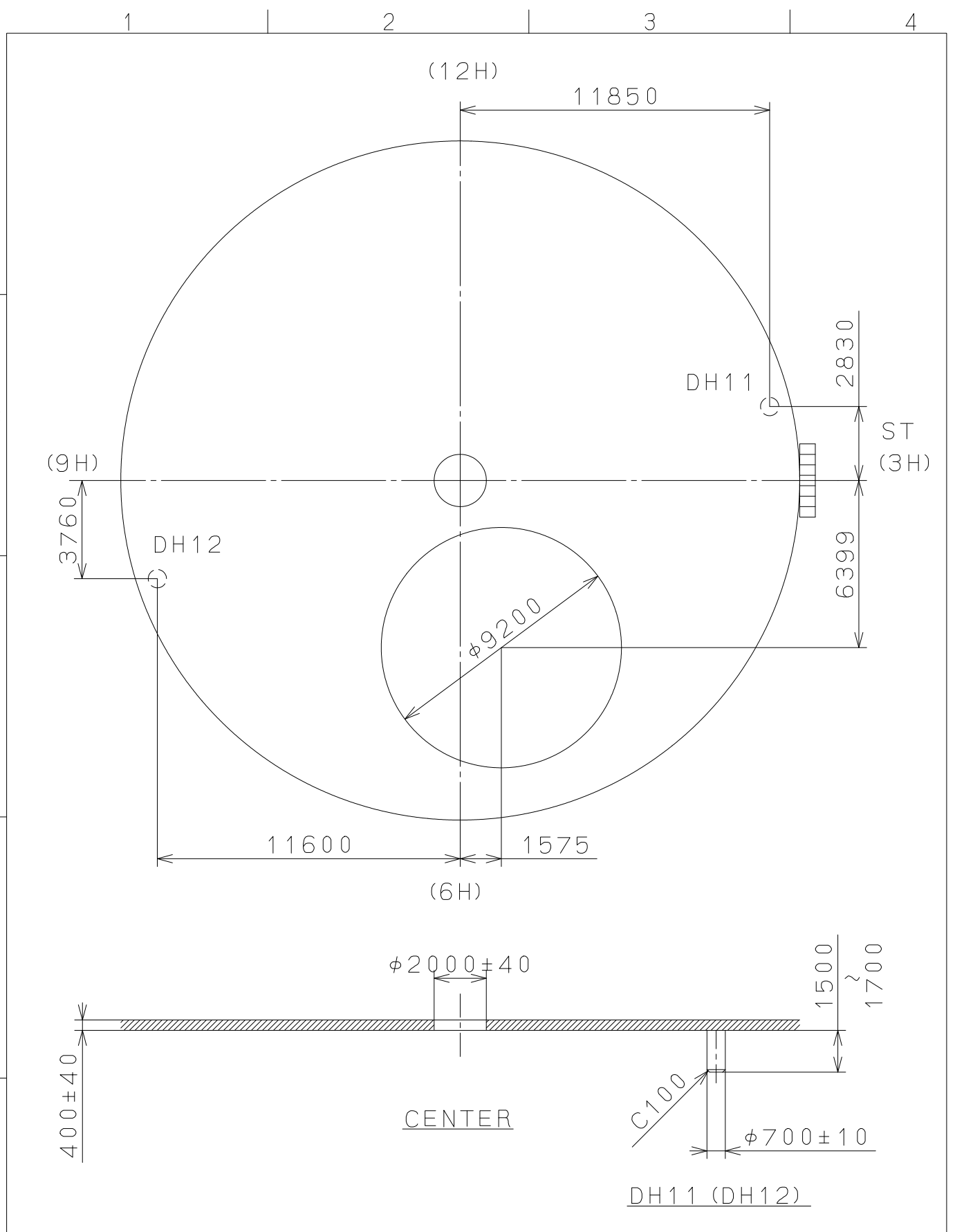




CONFIDENTIAL 2018/02/23 (17:19:21)

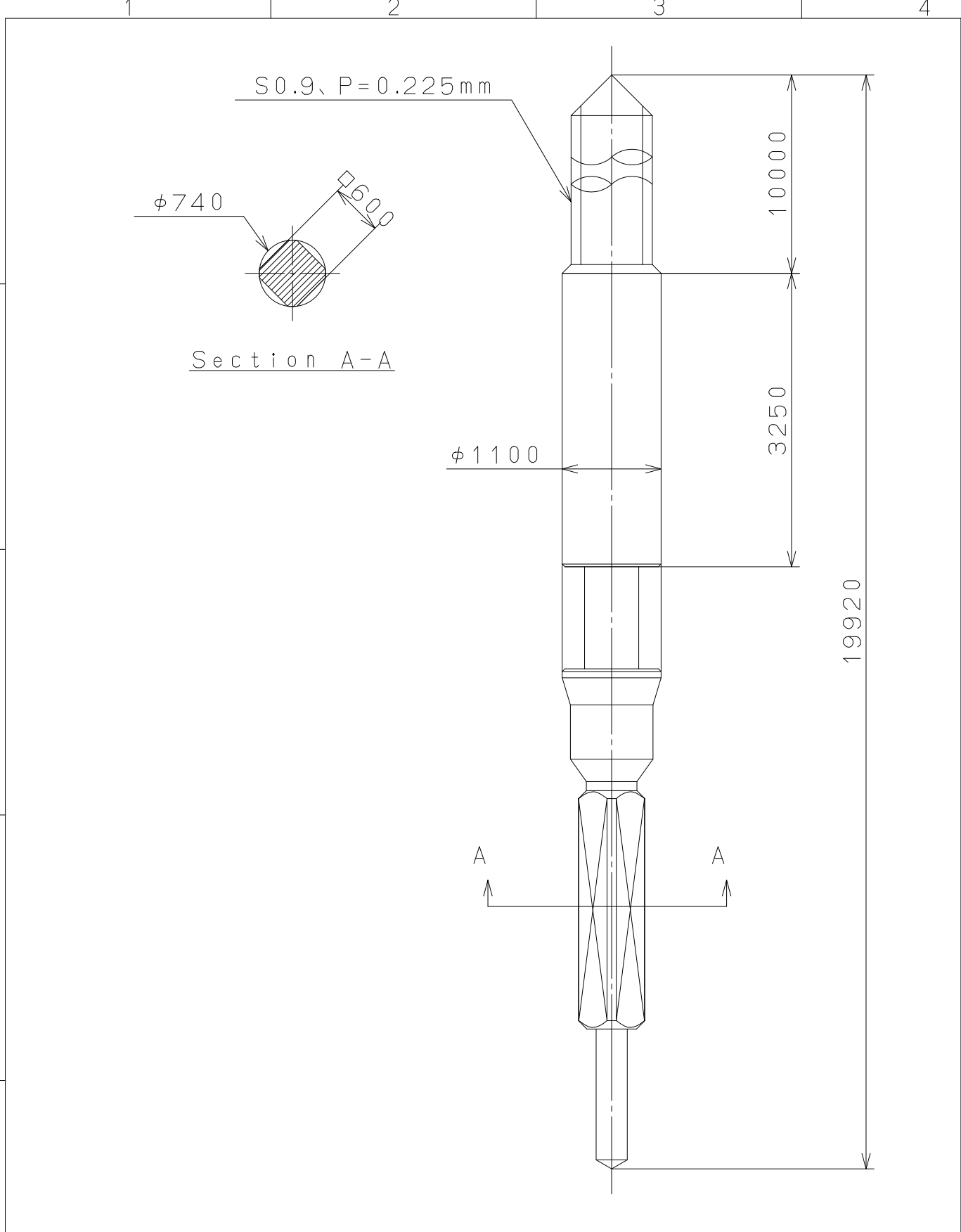
This drawing is provisional and subject to our reconfirmation and/or revision without notice.



△5			Quantity		Cal.NO.:
△4			Unit	1/1000mm	9029-20A
△3			Scale	5:1	Parts No.:
△2			Date		
△1			Drawn		
Mark	Date	Description	Appr.	Checked	M. Kobayashi
Alterations			Approved	Name:	
Material					Indications for Dial
Heat Treatment					Drawing No.: 9029D000
Hardness					<b>MIYOTA</b>
Plating					

2009/03/19 (15:03:29)

This drawing is provisional and subject to our reconfirmation and/or revision without notice.



⑤			Quantity		Cal.NO.:
④			Unit	1 / 1000 mm	
③			Scale	17 : 1	Parts No.:
②			Date		065-A05
①			Drawn		Name:
Mark	Date	Description	Appr.	Checked	N. Suzuki
Alterations			Approved	SETTING STEM	
Material					Drawing No.: A050S000
Heat Treatment					<b>MIYOTA</b>
Hardness	General Tolerances				
Plating	Dimensions				
					CITIZEN WATCH CO., LTD. TOKYO, JAPAN