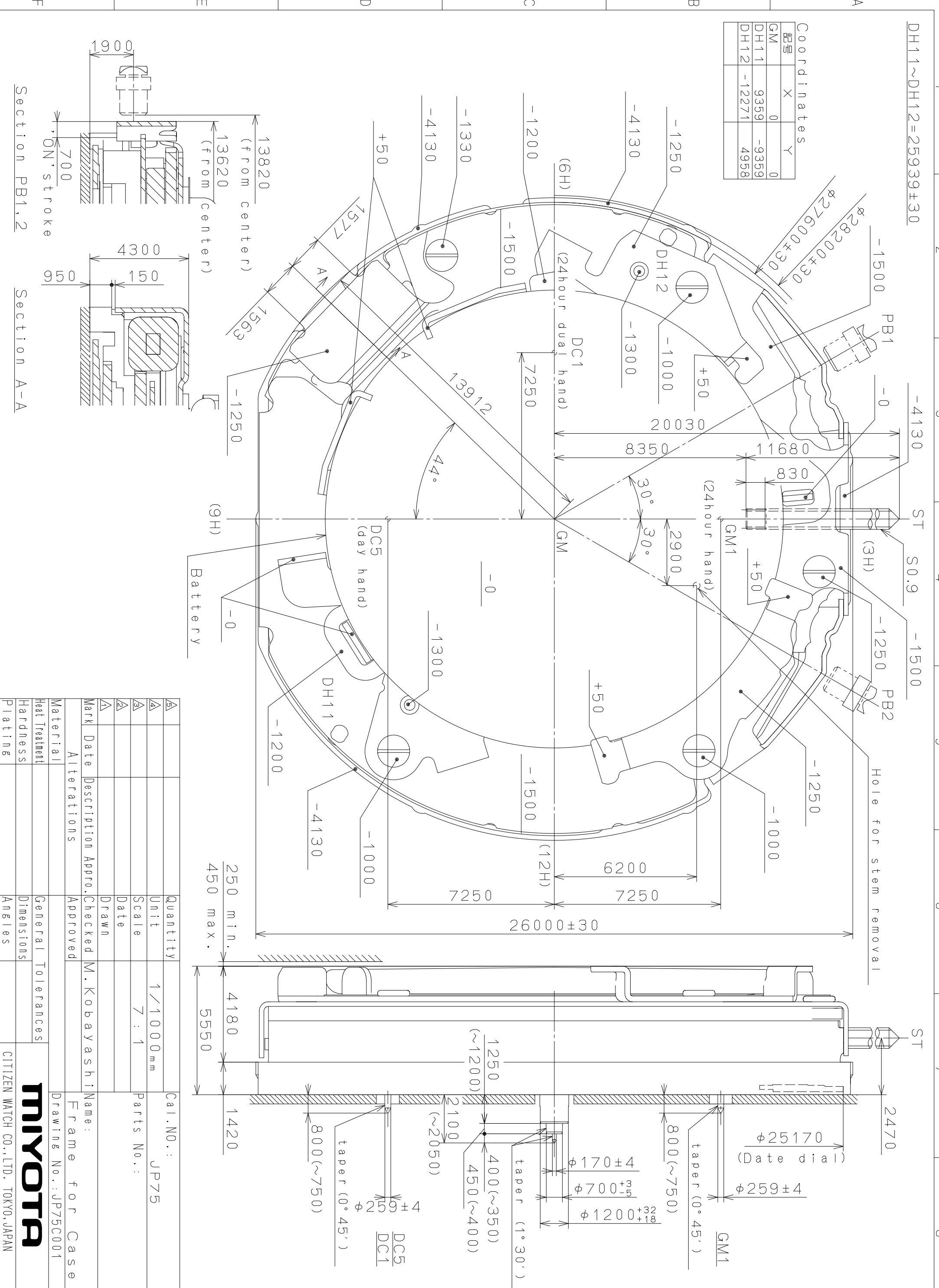


This drawing is provisional and subject to our reconfirmation and/or revision without notice.



Coordinates

記号	X	Y
GM	0	0
DH11	9359	-9359
DH12	-12271	4958

Section PB1,2

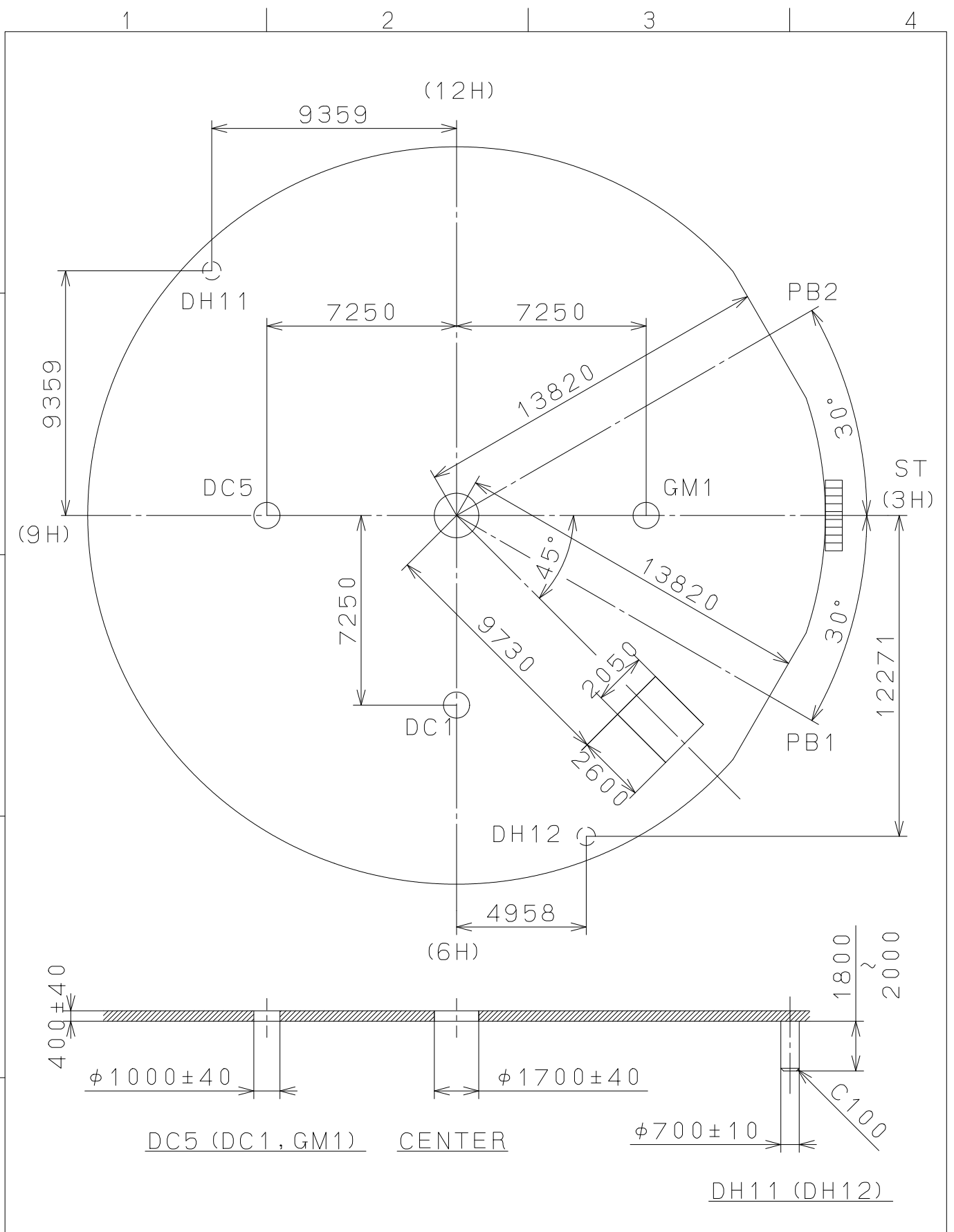
Section A-A

△	Quantity	Unit	1/1000 mm	Cal. No.:	JP75
△	Scale	Date	7:1	Parts No.:	
△	Drawn	Checked	M. Kobayashi	Name:	Frame for Case
△	Approved	Approved		Drawing No.:	JP75C001
Material	Alterations				
Heat Treatment					
Hardness	General Tolerances				
Plating	Dimensions				
	Angles				

**MIYOTA**  
CITIZEN WATCH CO., LTD. TOKYO, JAPAN

confidential papers 2012/12/10 (11:26:49)

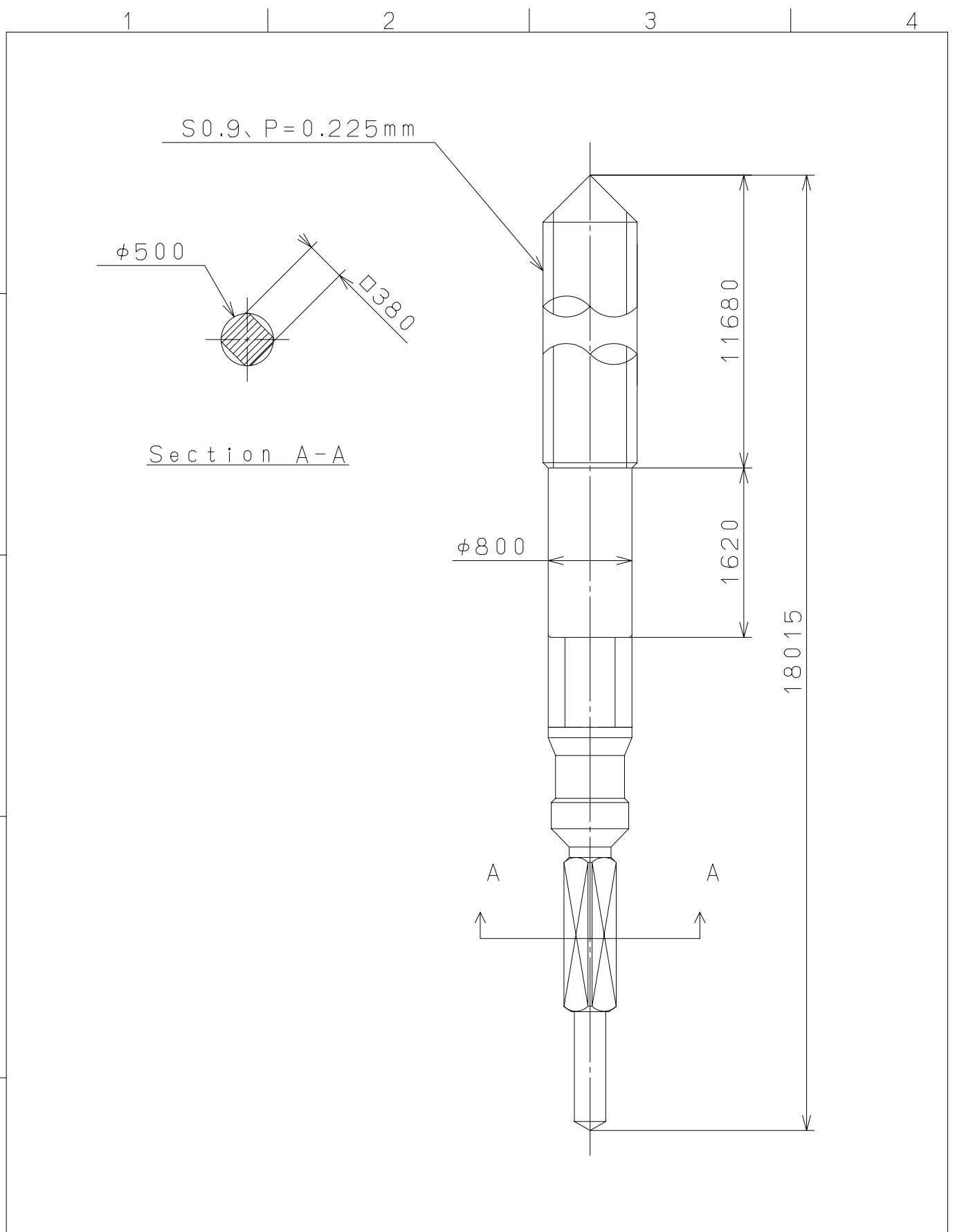
This drawing is provisional and subject to our reconfirmation and/or revision without notice.



△			Quantity		Cal.NO.: <b>JP75-00C</b>
△			Unit	1 / 1000 mm	
△			Scale	5 : 1	Parts No.:
△			Date		
△			Drawn		
Mark	Date	Description	Appr.	Checked	Name: N. Suzuki
Alterations			Approved	Indications for Dial	
Material					Drawing No.
Heat Treatment					<b>MIYOTA</b>
Hardness					
Plating					
					CITIZEN WATCH CO., LTD. TOKYO, JAPAN

2006/12/25 (07:50:10)

This drawing is provisional and subject to our reconfirmation and/or revision without notice.



⑤			Quantity		Cal.NO.:
④			Unit	1 / 1000 mm	
③			Scale	20 / 1	Parts No.:
②			Date		065-505
①			Drawn		Name:
Mark	Date	Description	Appr.	Checked	T.Hiruta
Alterations			Approved	SETTING STEM	
Material				Drawing No.: 5050S000	
Heat Treatment				<b>MIYOTA</b> CITIZEN WATCH CO., LTD. TOKYO, JAPAN	
Hardness					
Plating					