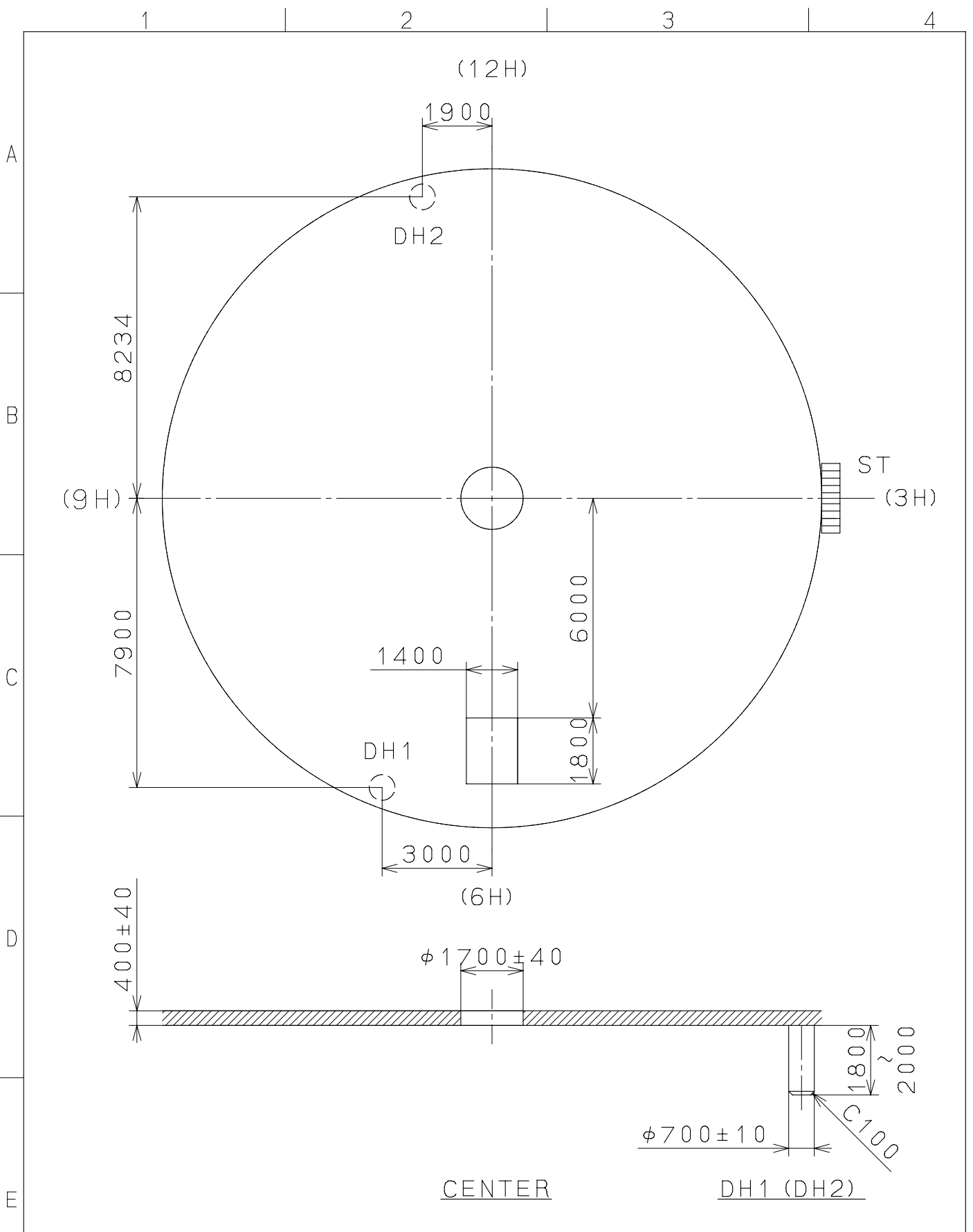


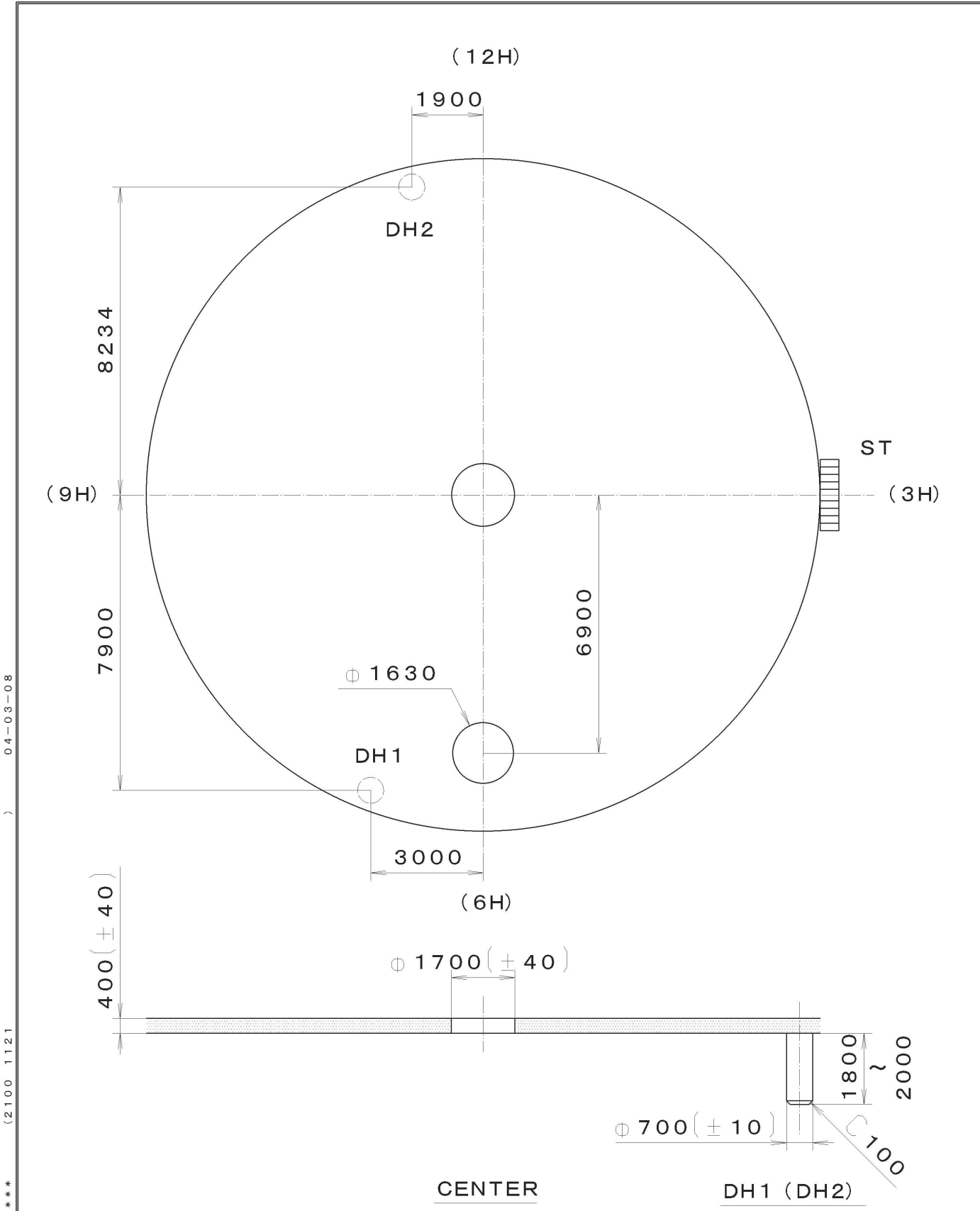
2008/02/04 (15:43:24)

This drawing is provisional and subject to our reconfirmation and/or revision without notice.



△			Quantity		Cal. NO.	GL12-10U / 10Z
△			Unit	1 / 1000 mm		
△			Scale	7 : 1	Parts No.:	
△			Date			
△			Drawn			
Mark	Date	Description	Appr.	Checked	N. Suzuki	Name:
Alterations			Approved			Indications for Dial
Material					Drawing No.: GL10D040	
Heat Treatment					MIYOTA CITIZEN WATCH CO., LTD. TOKYO, JAPAN	
Hardness						
Plating						

This drawing is provisional and subject to our reconfirmation and/or revision without notice.



Material		Quantity		Cal. No.	GL12-10U / 10Z
Heat Treatment		Unit	1/1000 mm	Parts:	
Hardness		Scale	7:1	Name:	Indications for Dial
Plating		Date		Drawing No.:	GL10D010
		Drawn		<div style="text-align: center;"> CITIZEN WATCH CO., LTD. </div>	
		Checked	M. Fukuda		
		Approved			
		General Tolerances			
		Dimensions			
		Angles			

T I P W GL10-00Z (0.1) *** (2100 1121) 04-03-08