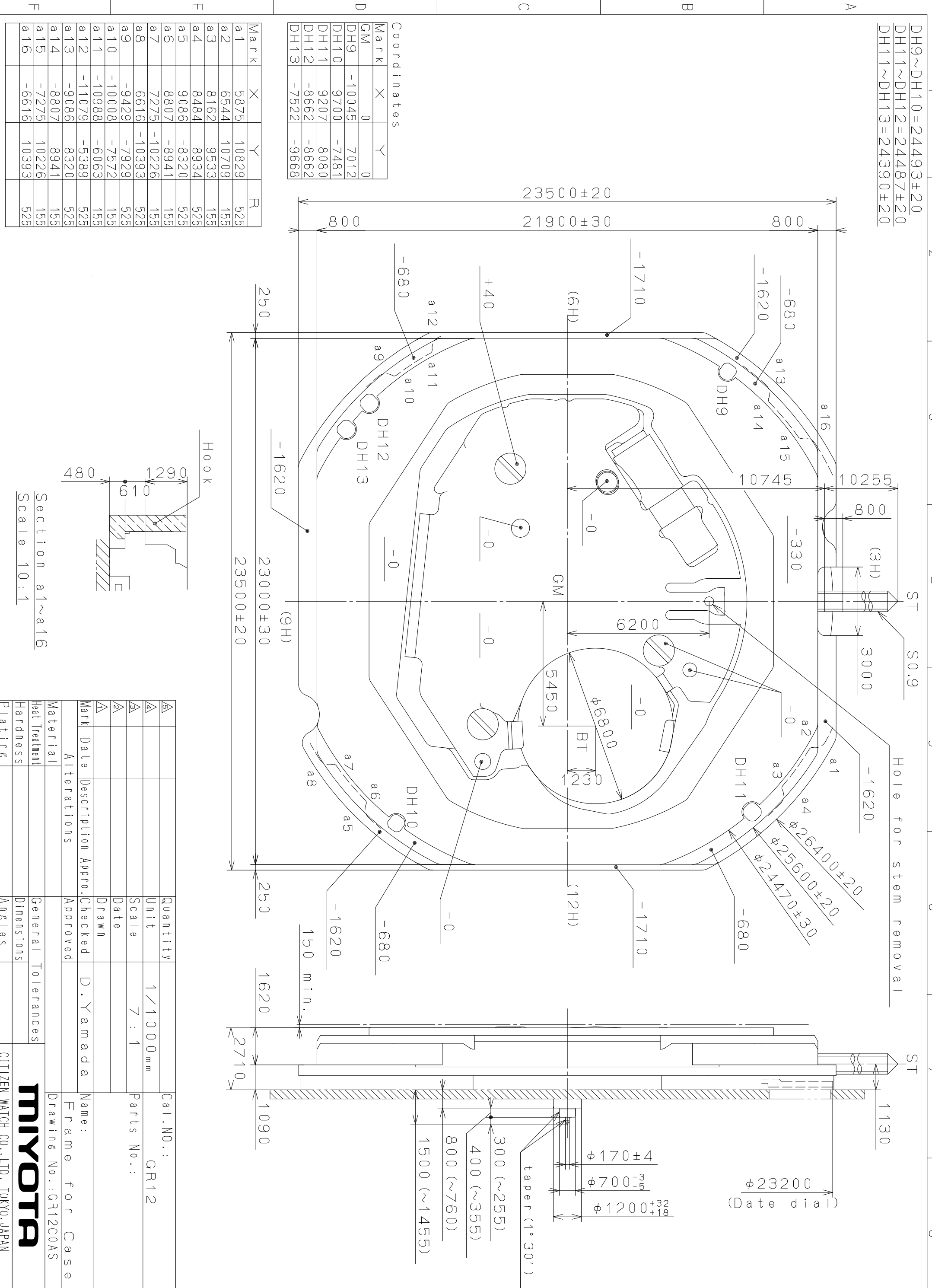


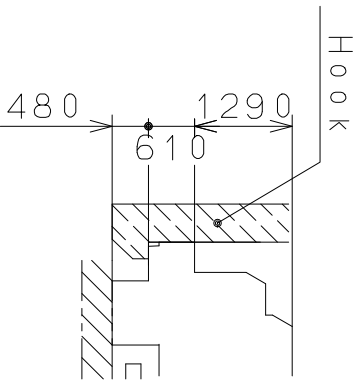
This drawing is provisional and subject to our reconfirmation and/or revision without notice.



Coordinates

Mark	X	Y
GM	0	0
DH9	-10045	7012
DH10	9700	-7481
DH11	9207	8080
DH12	-8662	-8662
DH13	-7522	-9668

Mark	X	Y	R
a1	5875	10829	525
a2	6544	10709	155
a3	8162	9533	155
a4	8484	8934	525
a5	9086	-8320	525
a6	8807	-8941	155
a7	7275	-10226	155
a8	6616	-10393	525
a9	-9429	-7929	525
a10	-10008	-7572	155
a11	-10988	-6063	155
a12	-11079	-5389	525
a13	-9086	8320	525
a14	-8807	8941	155
a15	-7275	10226	155
a16	-6616	10393	525

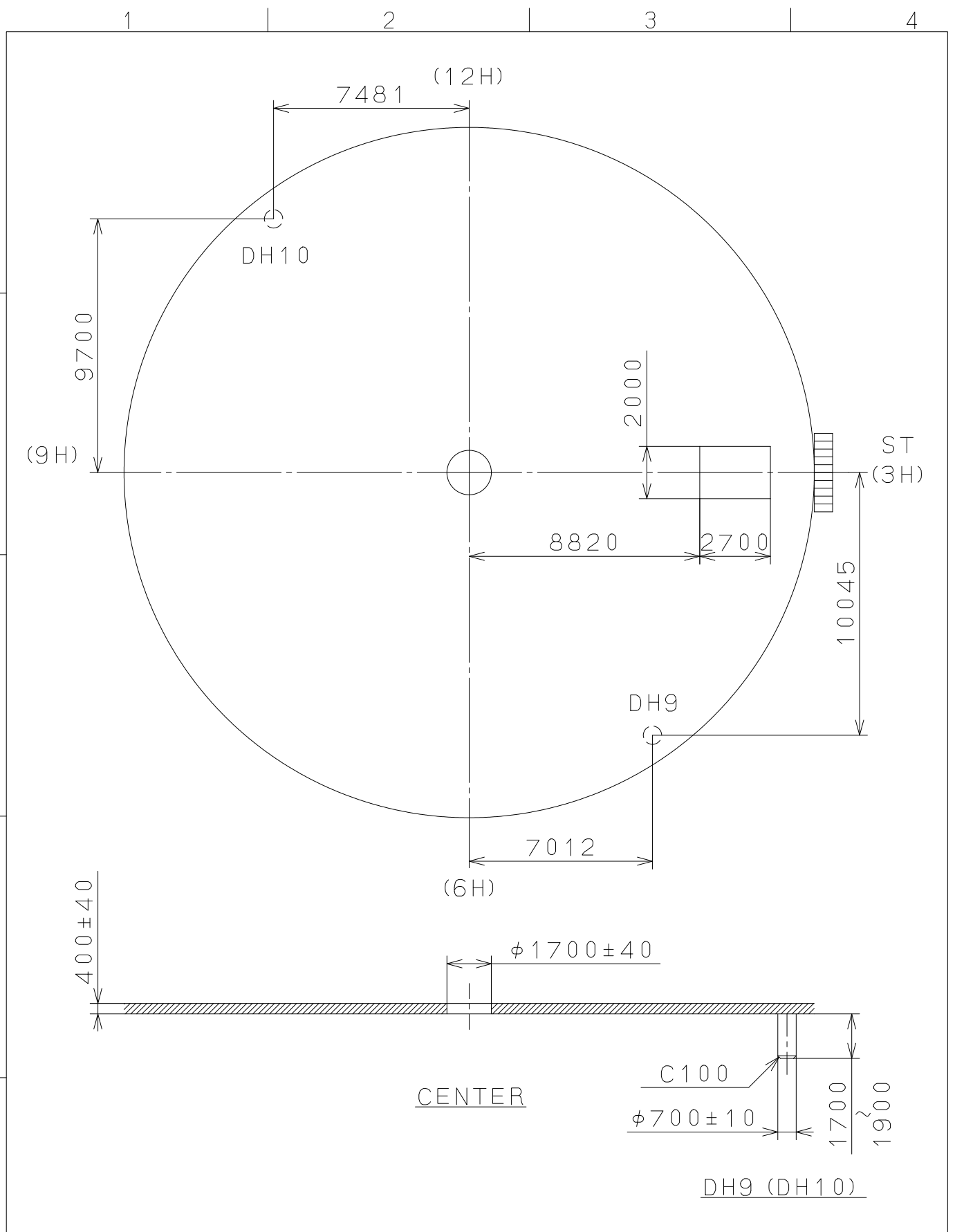


Section a1~a16
Scale 10:1

Material	Alterations	Quantity	Unit	1/1000 mm	Cal. NO.:	GR12
Heat Treatment	Date	Scale	7:1	Parts No.:		
Hardness	Drawn	Checked	D. Yamada	Name:	Frame for Case	
Plating	Approved	Approved		Drawing No.:	GR12C0AS	
		General Tolerances				
		Dimensions				
		Angles				

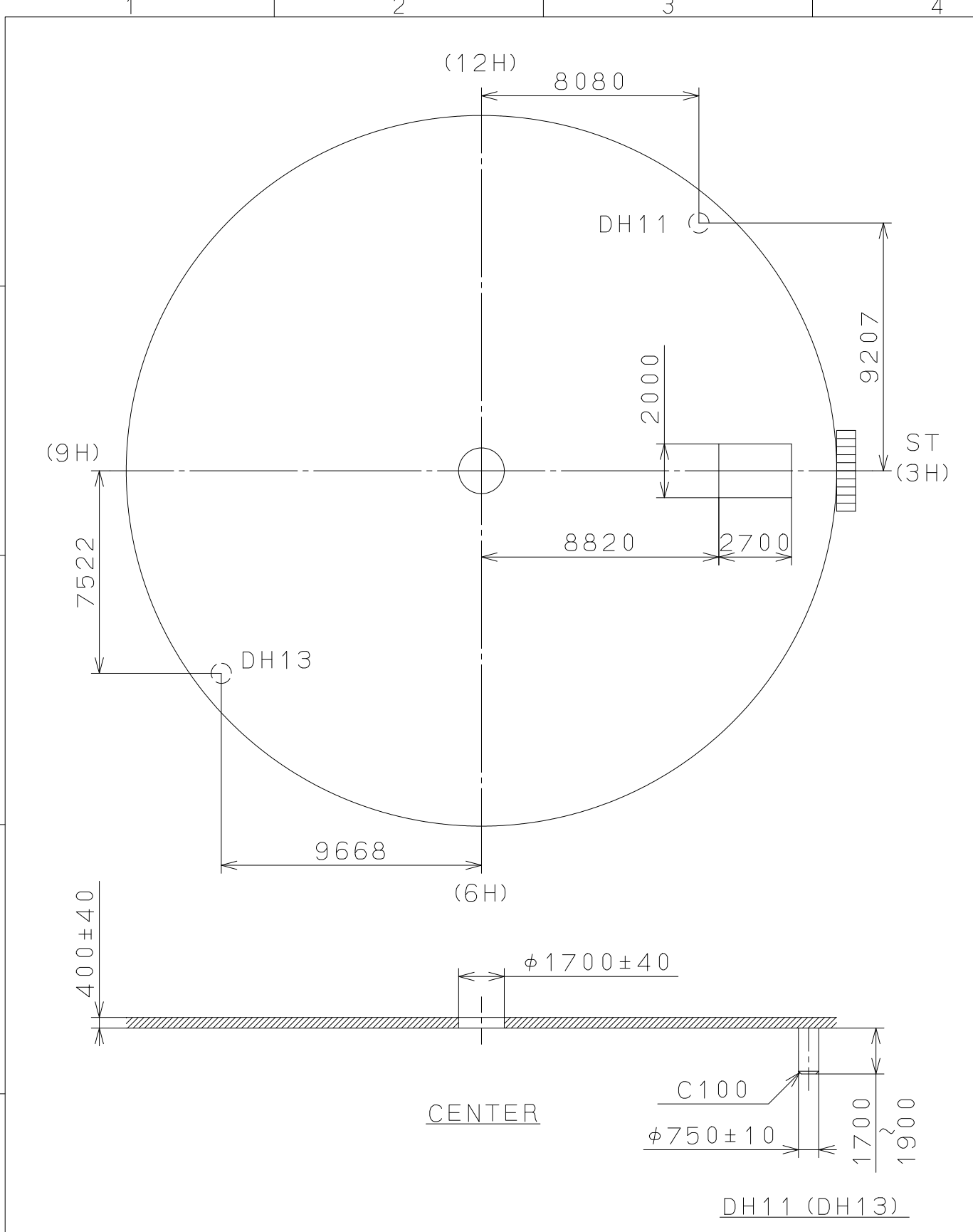
MIYOTA
CITIZEN WATCH CO., LTD. TOKYO, JAPAN

This drawing is provisional and subject to our reconfirmation and/or revision without notice.



△			Quantity		Cal.NO.:
△			Unit	1/1000 _{mm}	GR12-10A
△			Scale	5 : 1	Parts No.:
△			Date		
△			Drawn		
Mark	Date	Description	Appro.	Checked	Name:
		Alterations	Approved	D. Yamada	Indications for Dial
Material					Drawing No.: GR12D0AS
Heat Treatment			General Tolerances	MIYOTA CITIZEN WATCH CO., LTD. TOKYO, JAPAN	
Hardness			Dimensions		
Plating			Angles		

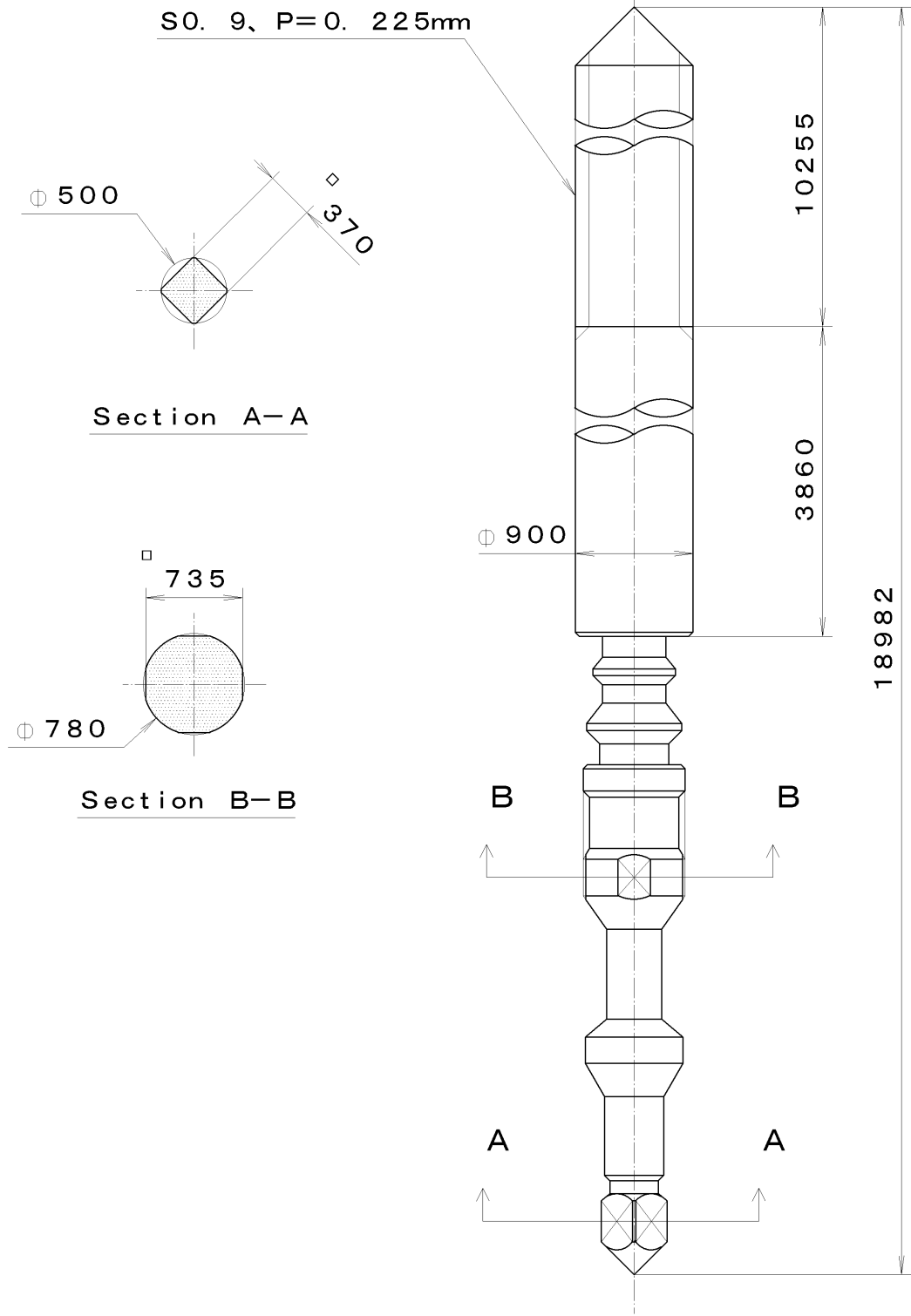
This drawing is provisional and subject to our reconfirmation and/or revision without notice.



△			Quantity		Cal.NO.:
△			Unit	1 / 1000 mm	GR12-10A
△			Scale	5 : 1	Parts No.:
△			Date		
△			Drawn		
Mark	Date	Description	Appr.	Checked	Name:
		Alterations	Approved	D. Yamada	
Material					Indications for Dial
Heat Treatment					Drawing No.: GR12D0CS
Hardness			General Tolerances		MIYOTA
Plating			Dimensions		
			Angles		CITIZEN WATCH CO., LTD. TOKYO, JAPAN

This drawing is provisional and subject to our reconfirmation and/or revision without notice.

*** T I P W 065-543 (01) *** (2100 1121) 03-05-07



7			Quantity		Cal. No. :
6			Unit	1/1000 mm	
5			Scale	20:1	Parts:
4			Date		065-543
3			Drawn		
2			Checked	T. Hiruta	Name:
1			Approved		SETTING STEM
Material					Drawing No. : 5430S001
Heat Treatment			General Tolerances		CITIZEN WATCH CO., LTD. TOKYO, JAPAN
Hardness			Dimensions		
Plating			Angles		