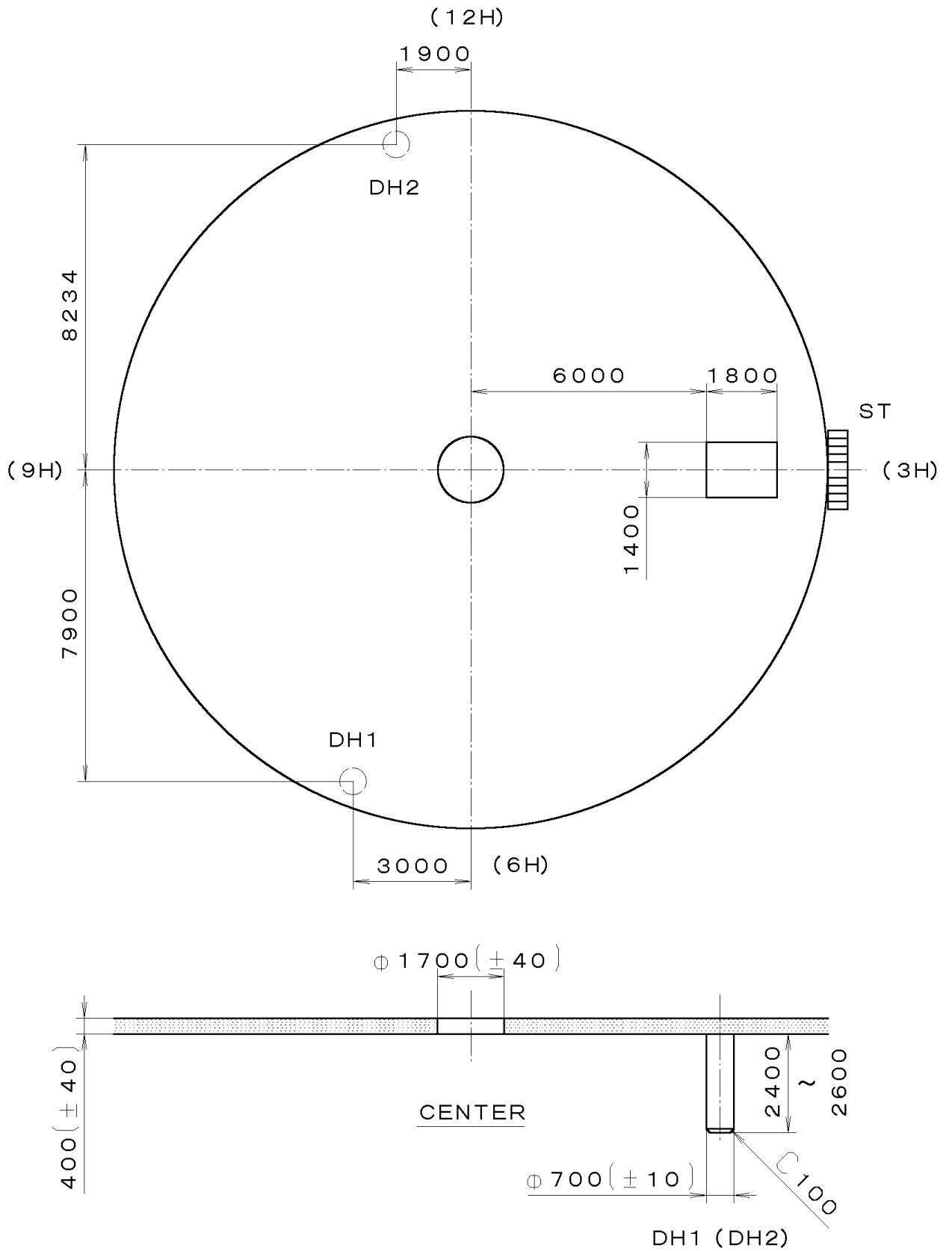


This drawing is provisional and subject to our reconfirmation and/or revision without notice.

*** T I P W 2015-00A (01) *** (2100 1121) 00-08-14



7			Quantity		Cal. No. : 2015-10A/-10X
6			Unit	1/1000 mm	Parts :
5			Scale	7:1	
4			Date		Name : Indications for Dial
3			Drawn		
2			Checked	T. Hiruta	Drawing No. : 2015D000
1			Approved		
Material					MIYOTA CITIZEN WATCH CO.,LTD.
Heat Treatment			General Tolerances		
Hardness			Dimensions		
Plating			Angles		