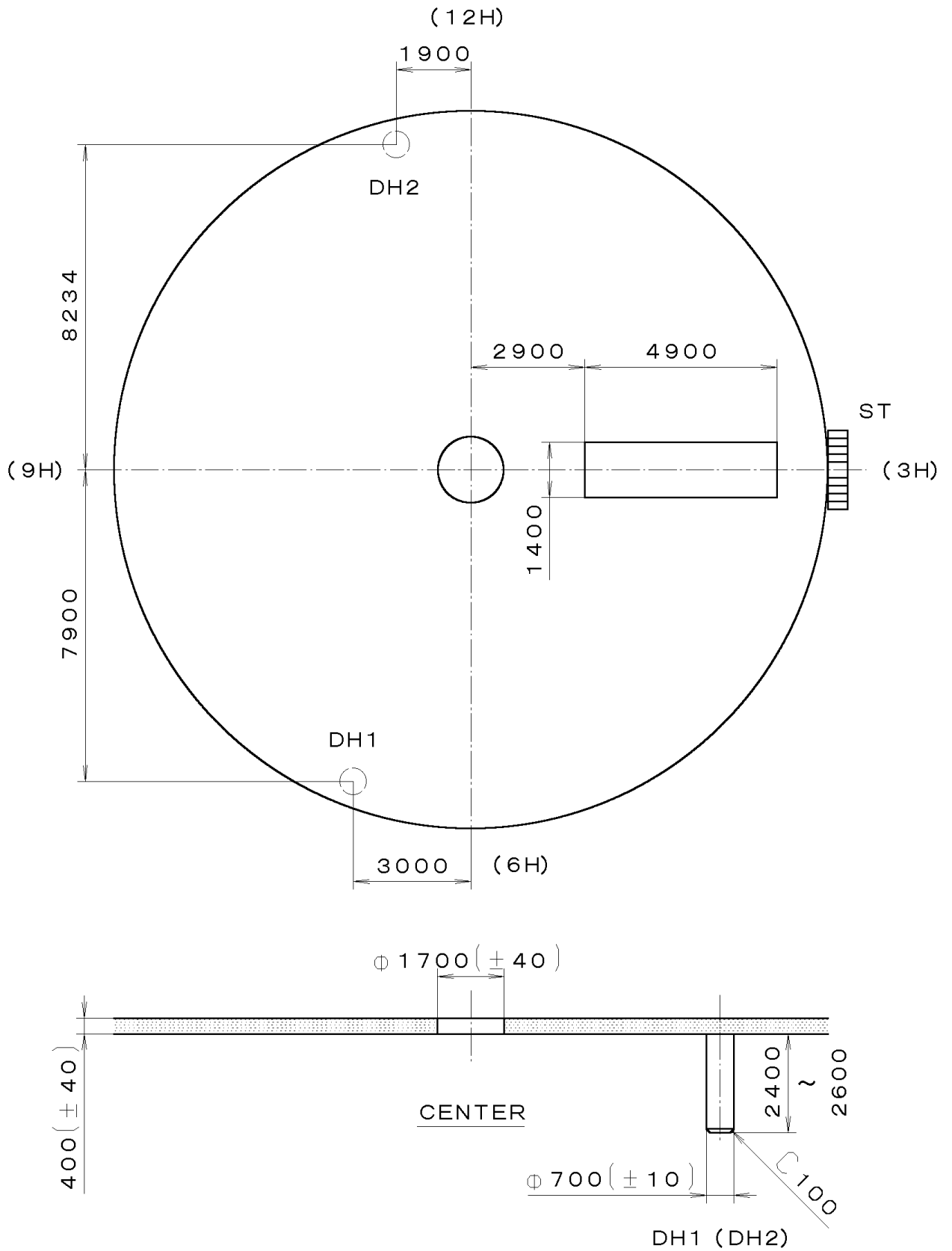


This drawing is provisional and subject to our reconfirmation and/or revision without notice.

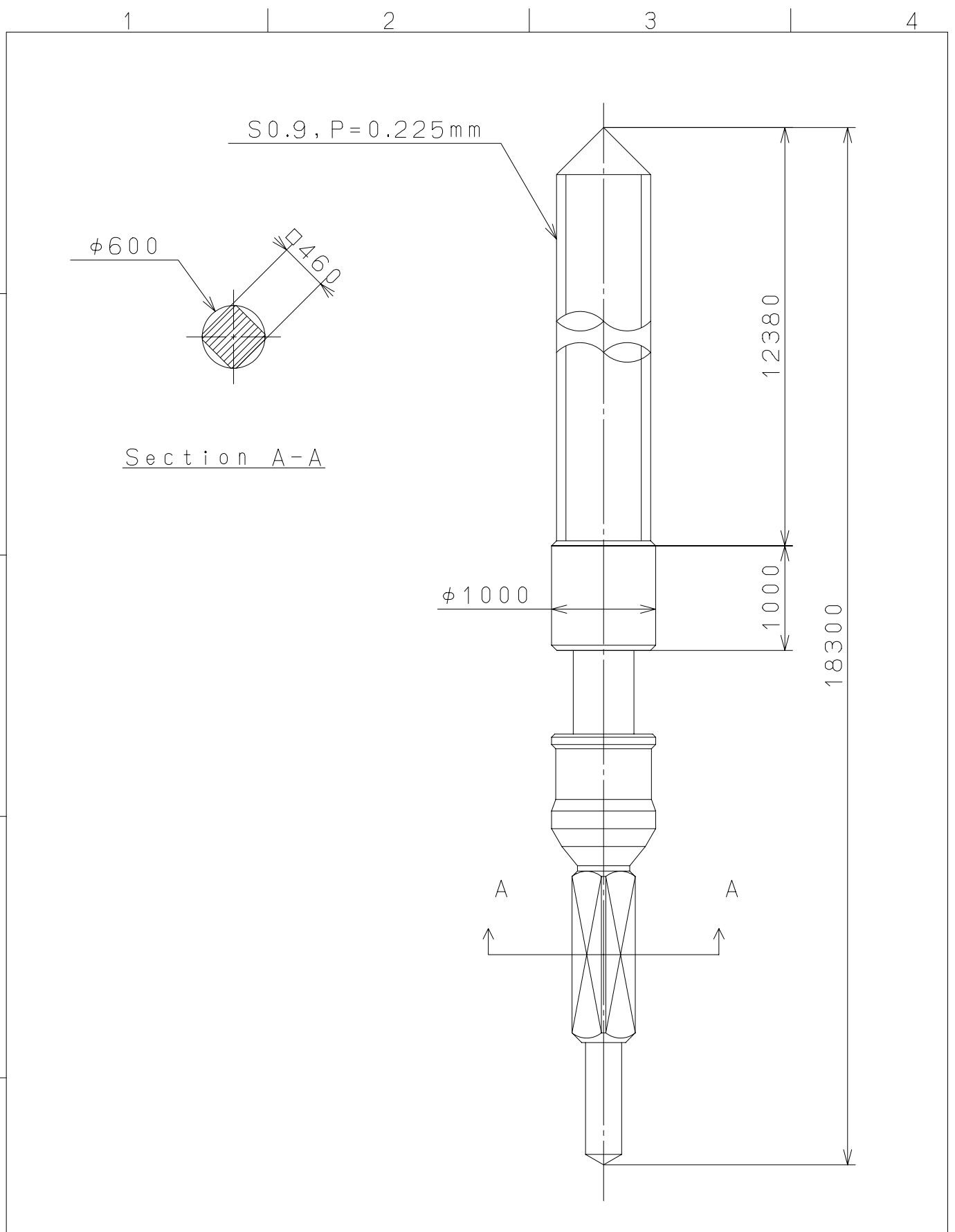
*** T I P W 2005-00A (01) *** (2100 1121) 00-08-14



			Quantity		Cal. No. : 2005-00A etc
			Unit	1/1000 mm	Parts :
			Scale	7:1	
			Date		Name : Indications for Dial
			Drawn		
			Checked	T. Hiruta	
			Approved		Drawing No. : 2005D000
Material					 CITIZEN WATCH CO., LTD.
Heat Treatment			General Tolerances		
Hardness			Dimensions		
Plating			Angles		

2007/03/16 (09:59:29)

This drawing is provisional and subject to our reconfirmation and/or revision without notice.



△			Quantity		Cal.NO.:
△			Unit	1 / 1000 mm	
△			Scale	20 / 1	Parts No.:
△			Date		065-299
△			Drawn		Name:
Mark	Date	Description	Appr.	Checked	T. Hiruta
Alterations			Approved	SETTING STEM	
Material				Drawing No.: 2990S000	
Heat Treatment				MIYOTA CITIZEN WATCH CO., LTD. TOKYO, JAPAN	
Hardness					
Plating					