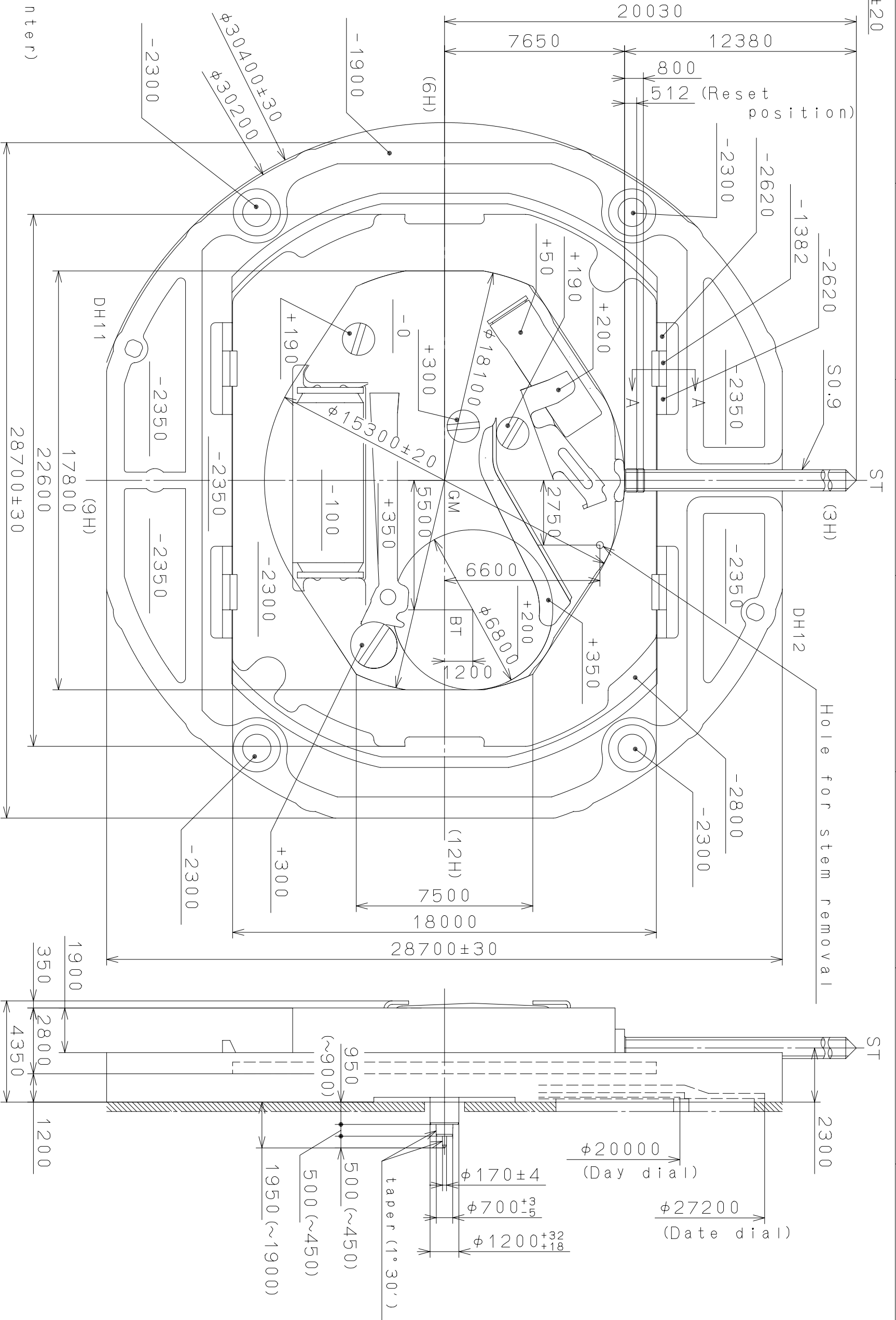


Coordinates		
記号	X	Y
GM	0	0
DH11	-5600	-13200
DH12	5600	13200



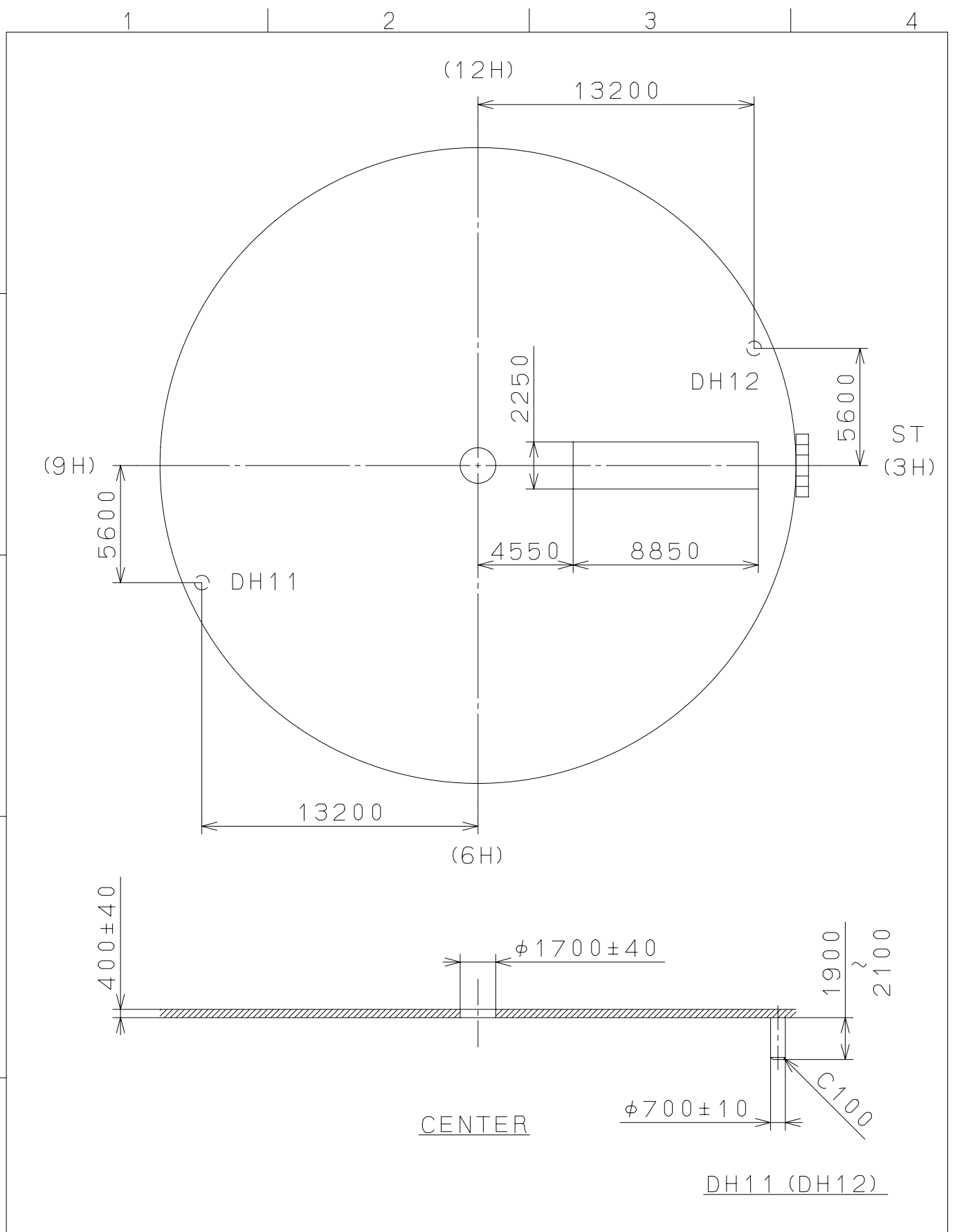
Section A-A (other hook)

△	Quantity	Unit	1 / 1000 mm	Cal. NO.:	2405
△	Scale	Date	6 / 1	Parts No.:	
△	Drawn	Checked	M. Fukuda	Name:	Frame for Case
△	Approved	Alterations		Drawing No.:	2405C000
Material	General Tolerances	Heat Treatment	Dimensions	Plating	Angles

MIYOTA
CITIZEN WATCH CO., LTD. TOKYO, JAPAN

2007/03/16 (09:55:39)

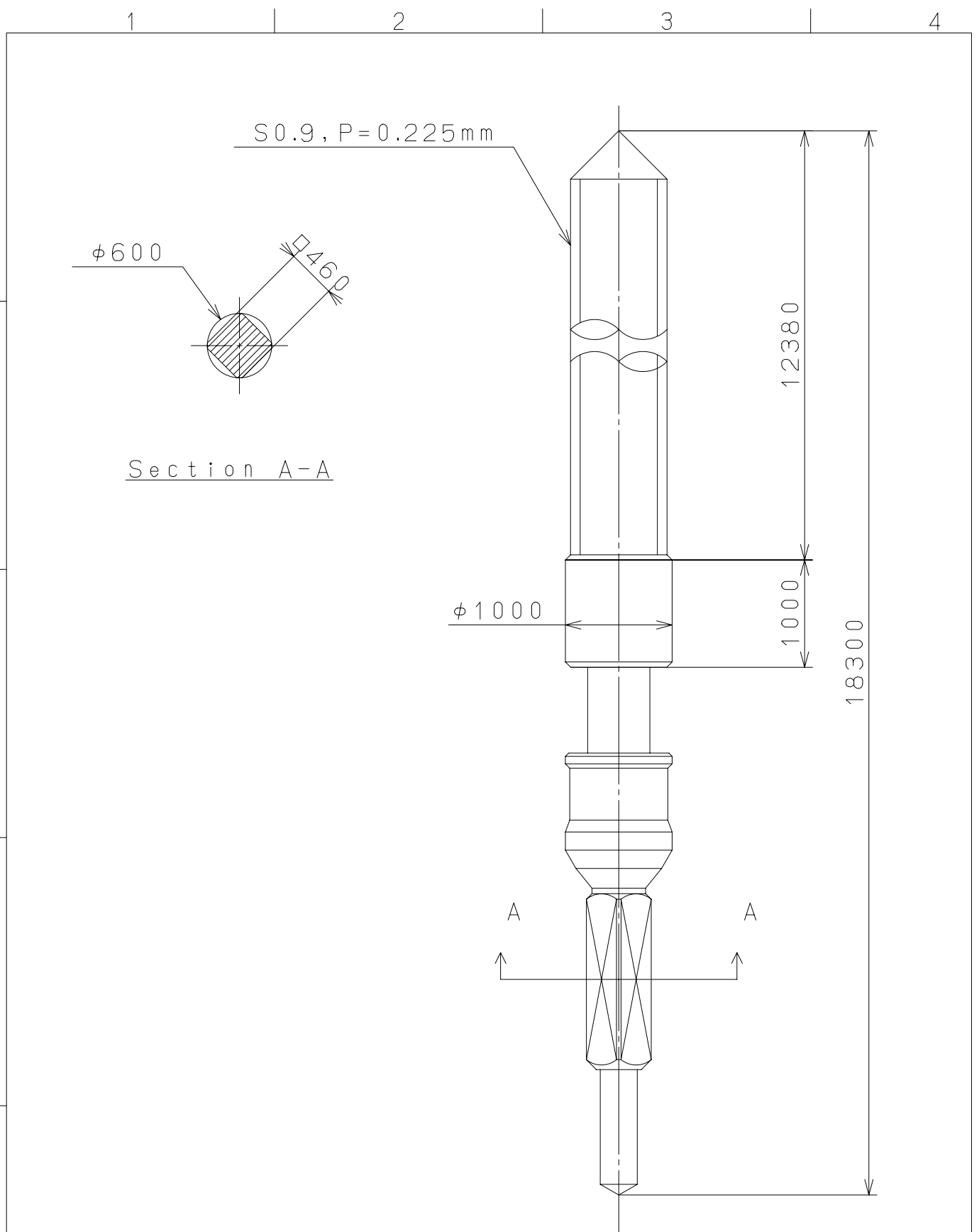
This drawing is provisional and subject to our reconfirmation and/or revision without notice.



△			Quantity		Cal.NO.:
△			Unit	1 / 1000 mm	2405-00A
△			Scale	4 / 1	Parts No.:
△			Date		
△			Drawn		
Mark	Date	Description	Appr.	Checked	Name:
		Alterations		Approved	M. Fukuda
Material					Indications for Dial
Heat Treatment					Drawing No.: 2405D000
Hardness			General Tolerances		MIYOTA
Plating			Dimensions		
			Angles		CITIZEN WATCH CO., LTD. TOKYO, JAPAN

2007/03/16 (09:59:29)

This drawing is provisional and subject to our reconfirmation and/or revision without notice.



△5			Quantity		Cal.NO.:
△4			Unit	1 / 1000 mm	
△3			Scale	20 / 1	Parts No.:
△2			Date		065-299
△1			Drawn		Name:
Mark	Date	Description	Appr.	Checked	T. Hiruta
Alterations			Approved	SETTING STEM	
Material				Drawing No.: 2990S000	
Heat Treatment				General Tolerances	
Hardness				Dimensions	
Plating				Angles	
				MIYOTA	
				CITIZEN WATCH CO., LTD. TOKYO, JAPAN	