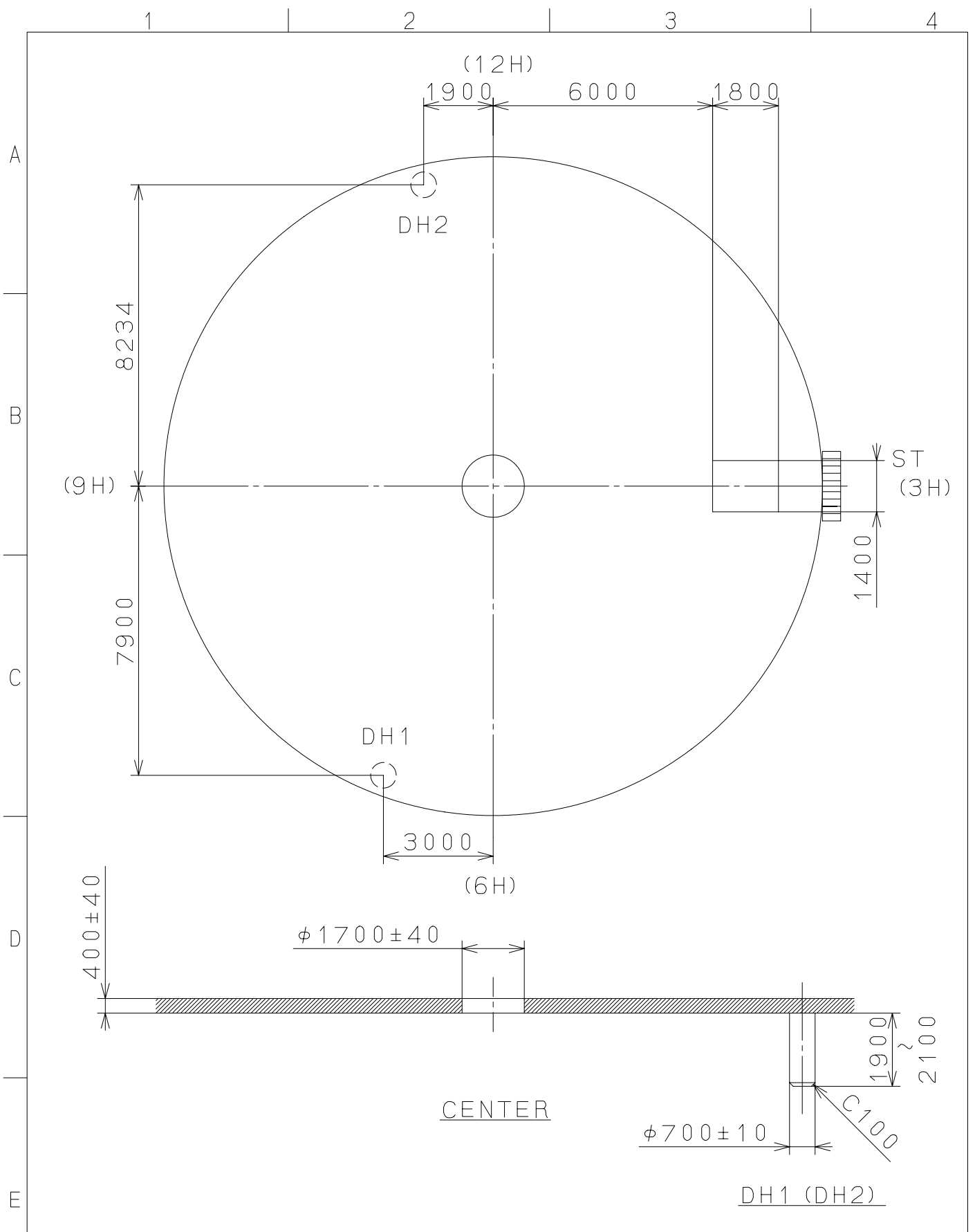


2005/02/15 (14:18:33)

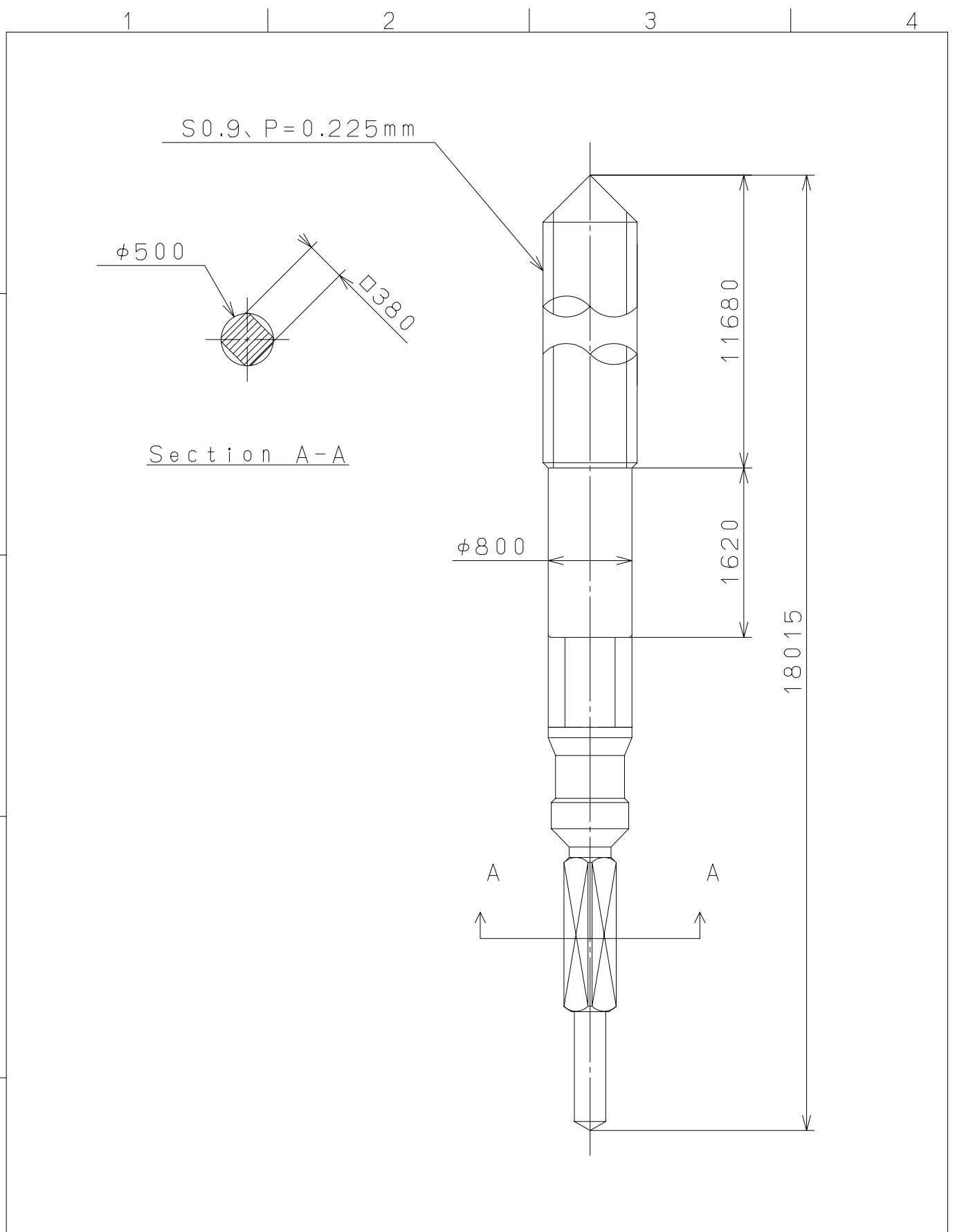
This drawing is provisional and subject to our reconfirmation and/or revision without notice.



△			Quantity			Cal.NO.: 1L60-00A
△			Unit	1 / 1000 mm		
△			Scale	7 / 1		Parts No.:
△				Date	Name	
△			Drawn			
Mark	Date	Description	Appr.	Checked	M. Fukuda	Name:
Alterations			Approved			Indications for Dial
Material						Drawing No.: 1L60D000
Heat Treatment						MIYOTA
Hardness	General Tolerances					
Plating	Dimensions					
	Angles					

2006/12/25 (07:50:10)

This drawing is provisional and subject to our reconfirmation and/or revision without notice.



△5			Quantity		Cal.NO.:
△4			Unit	1 / 1000 mm	
△3			Scale	20 / 1	Parts No.:
△2			Date		065-505
△1			Drawn		Name:
Mark	Date	Description	Appr.	Checked	T.Hiruta
Alterations			Approved	SETTING STEM	
Material				Drawing No.: 5050S000	
Heat Treatment				General Tolerances	
Hardness				Dimensions	
Plating				Angles	
				MIYOTA	
				CITIZEN WATCH CO., LTD. TOKYO, JAPAN	