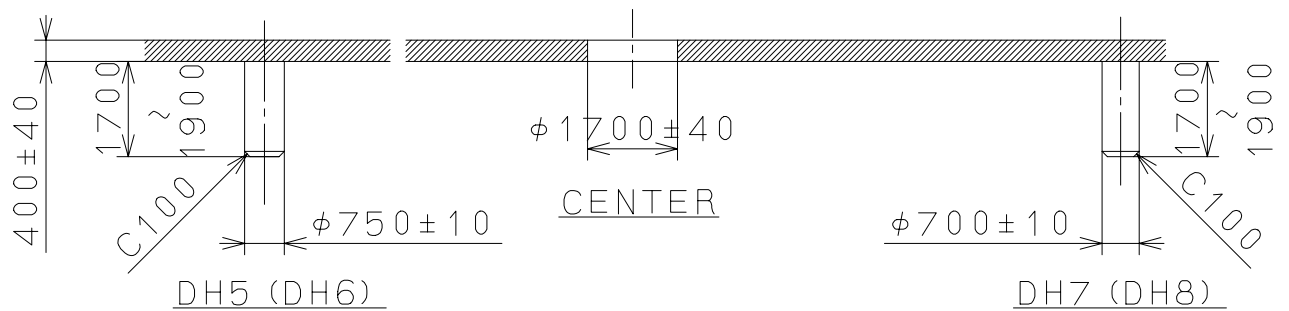
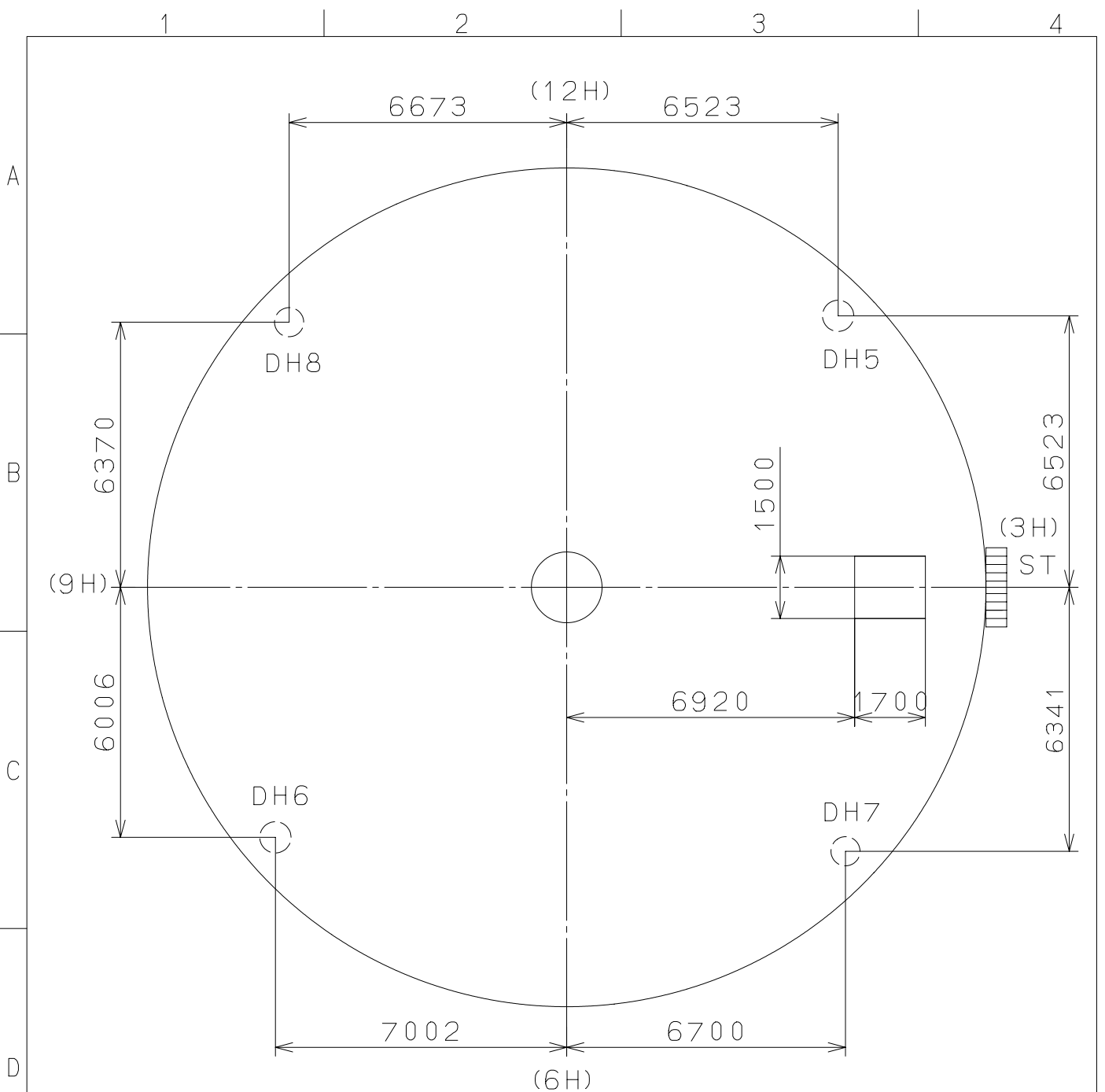


2005/01/20 (17:44:09)

This drawing is provisional and subject to our reconfirmation and/or revision without notice.



| | | | | | | |
|----------------|--------------------|-------------|----------|-------------|-----------|--|
| △ | | | Quantity | | | Cal. NO. GN17-10A |
| △ | | | Unit | 1 / 1000 mm | | |
| △ | | | Scale | 7 / 1 | | Parts No.: |
| △ | | | | Date | Name | |
| △ | | | Drawn | | | |
| Mark | Date | Description | Appr. | Checked | M. Fukuda | Name: |
| Alterations | | | Approved | | | Indications for Dial |
| Material | | | | | | Drawing No.: GN10D000 |
| Heat Treatment | | | | | | MIYOTA CITIZEN WATCH CO., LTD. |
| Hardness | General Tolerances | | | | | |
| Plating | Dimensions | | | | | |
| | Angles | | | | | |