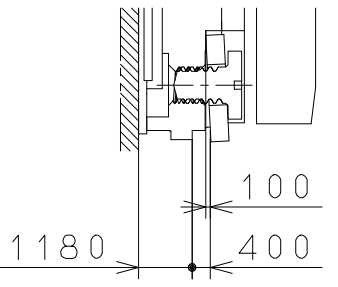
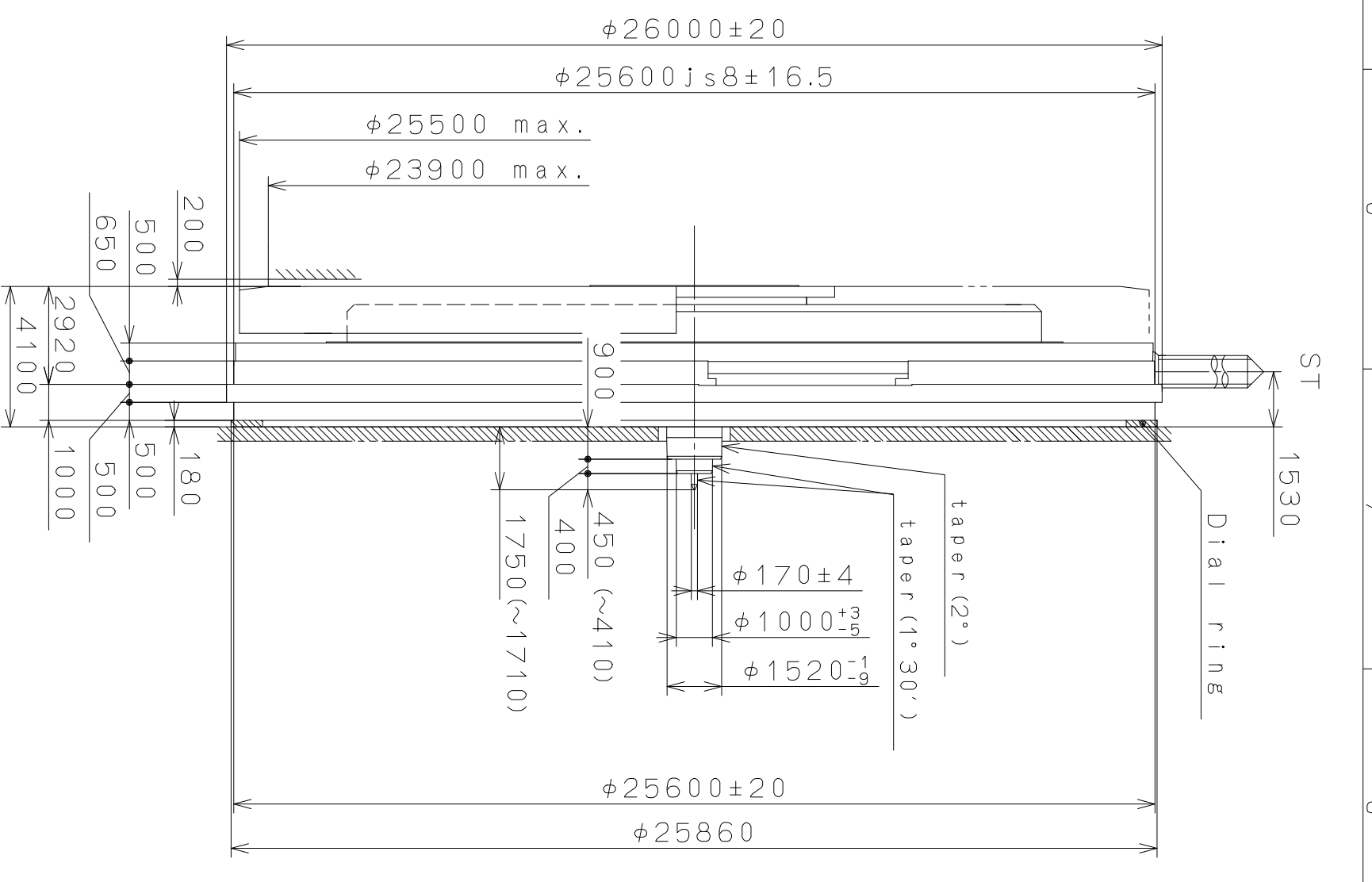
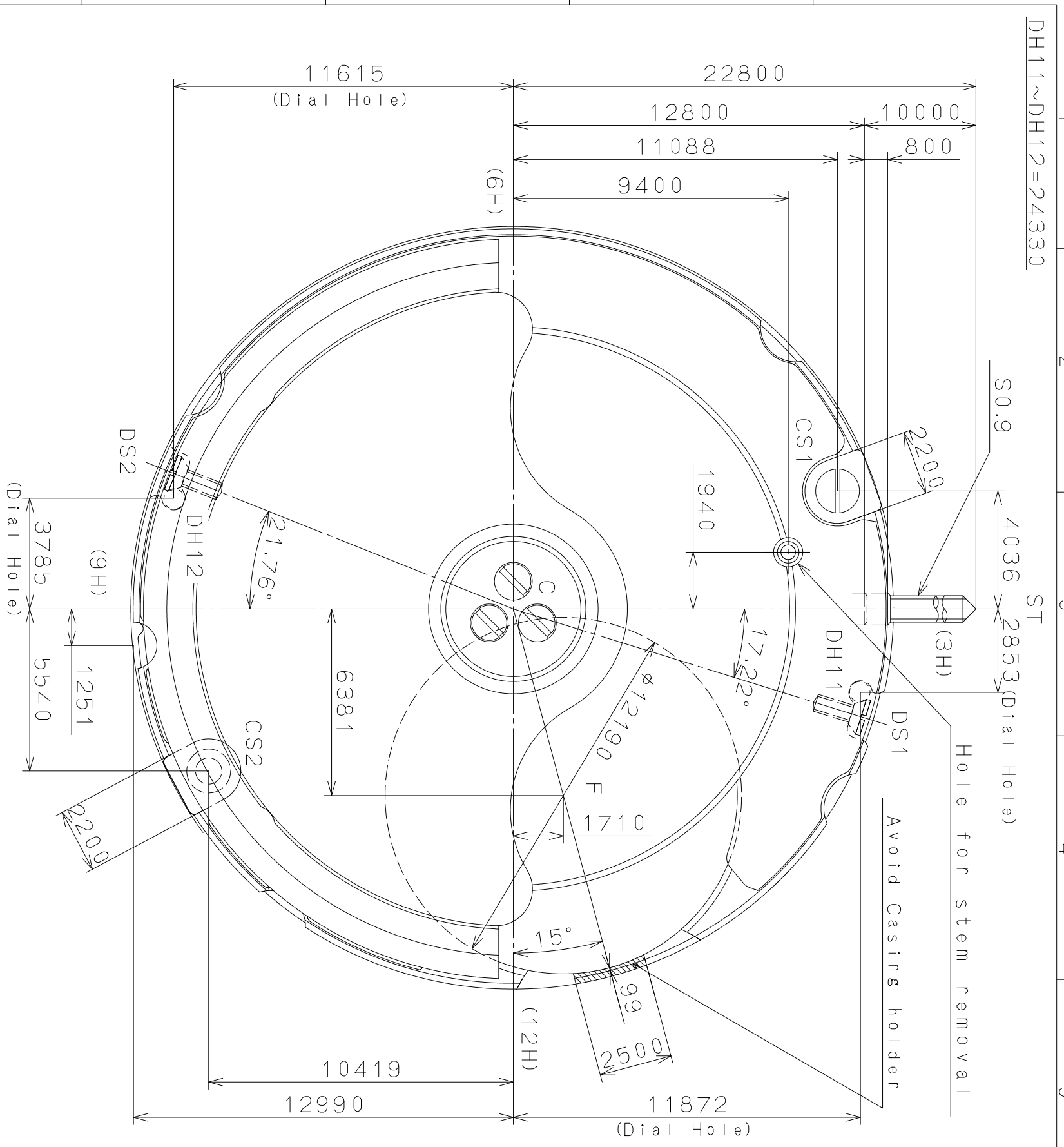
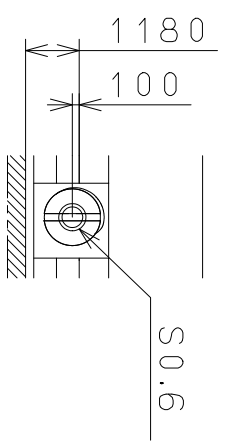


This drawing is provisional and subject to our reconfirmation and/or revision without notice.



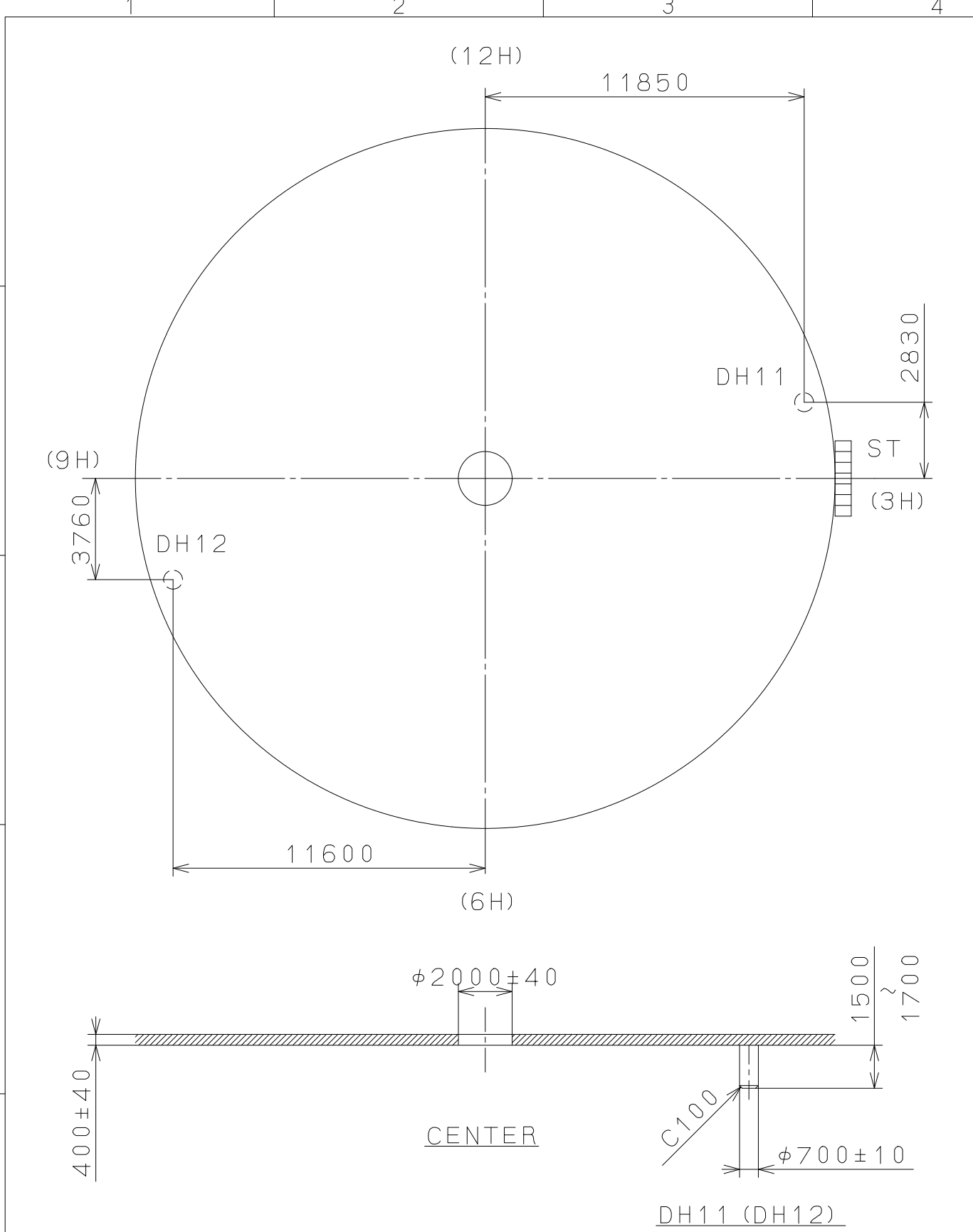
Section CS1, CS2



Section DS1, DS2

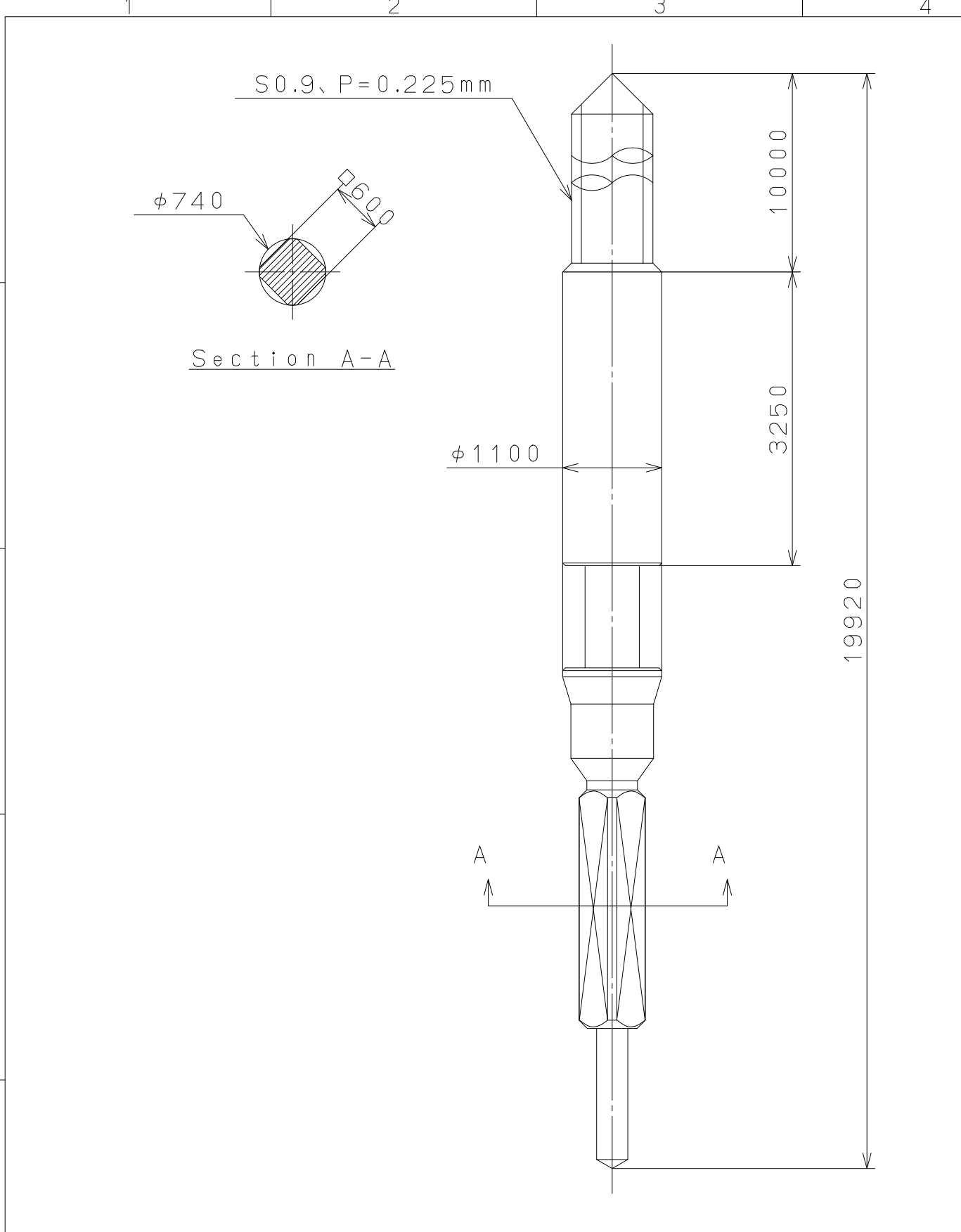
Material	Alterations	Quantity	Cal. NO.:
Heat Treatment	Date	Unit	9039
Hardness	Description	Scale	Parts No.:
Plating	Approved	Date	
	Checked	Drawn	
	D. Yamada		Name:
			Frame for Case
			Drawing No.: 903900C0
			<h1>MIYOTA</h1>

This drawing is provisional and subject to our reconfirmation and/or revision without notice.



△			Quantity		Cal.NO.:
△			Unit	1 / 1000 mm	9039-20A
△			Scale	5 : 1	Parts No.:
△			Date		
△			Drawn		
Mark	Date	Description	Appr.	Checked	Name:
		Alterations	Approved	D. Yamada	Indications for Dial
Material					Drawing No.: 903900D0
Heat Treatment			General Tolerances	<p>MIYOTA</p> <p>CITIZEN WATCH CO., LTD. TOKYO, JAPAN</p>	
Hardness			Dimensions		
Plating			Angles		

This drawing is provisional and subject to our reconfirmation and/or revision without notice.



△			Quantity		Cal.NO.:
△			Unit	1 / 1000 mm	
△			Scale	17 : 1	Parts No.:
△			Date		065-A05
△			Drawn		Name:
Mark	Date	Description	Appr.	Checked	D. Yamada
Alterations			Approved	SETTING STEM	
Material					Drawing No.: A05000S0
Heat Treatment	General Tolerances				MIYOTA
Hardness	Dimensions				
Plating	Angles				
					CITIZEN WATCH CO., LTD. TOKYO, JAPAN