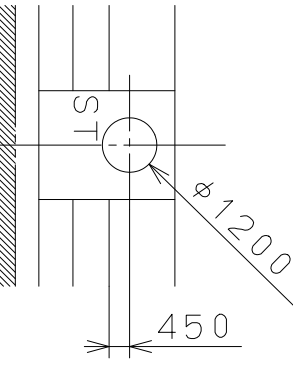
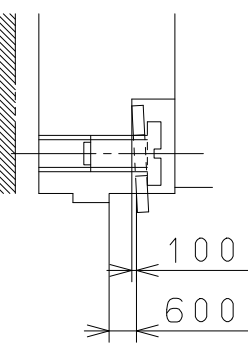
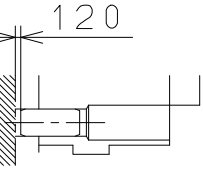
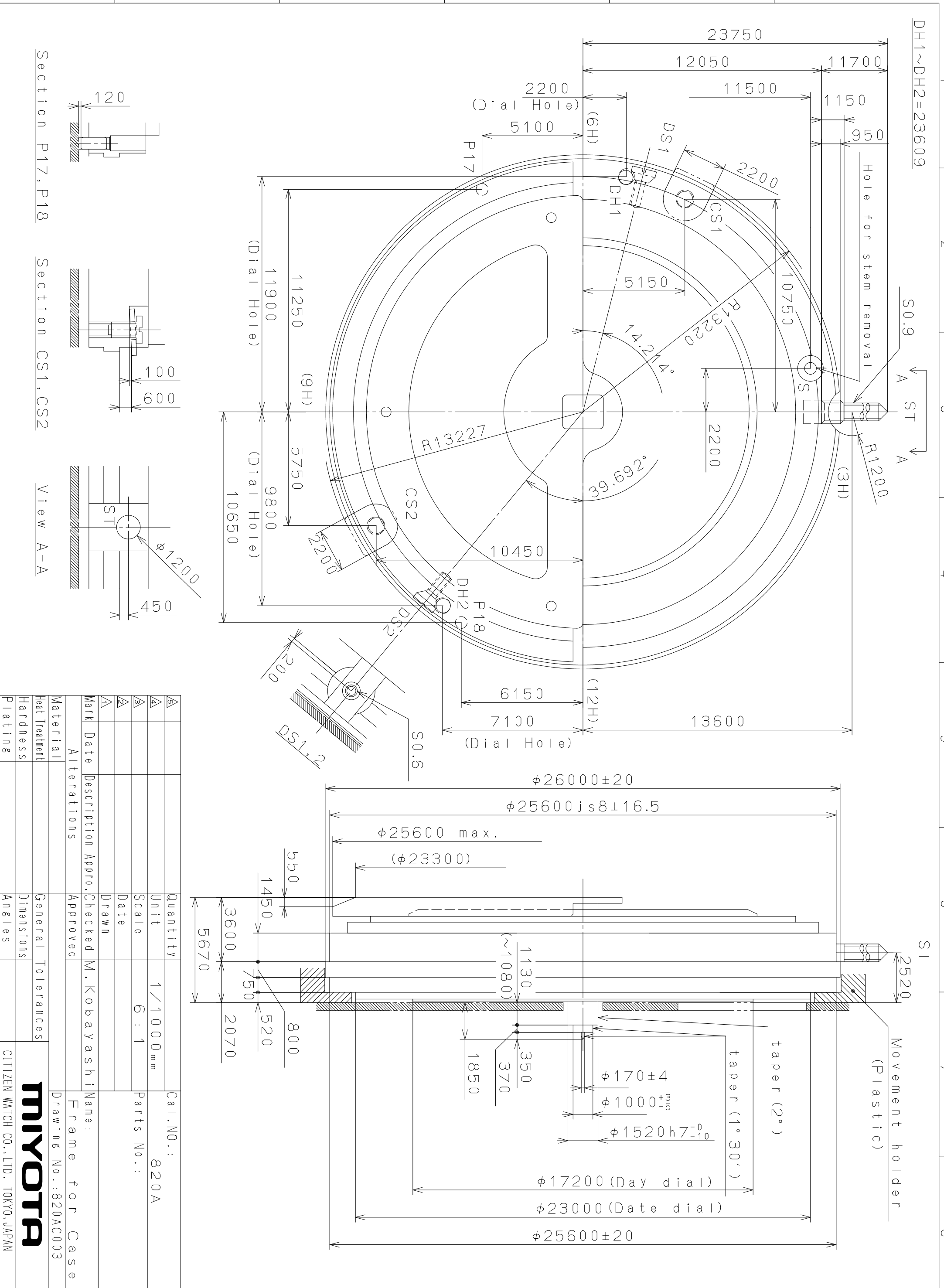
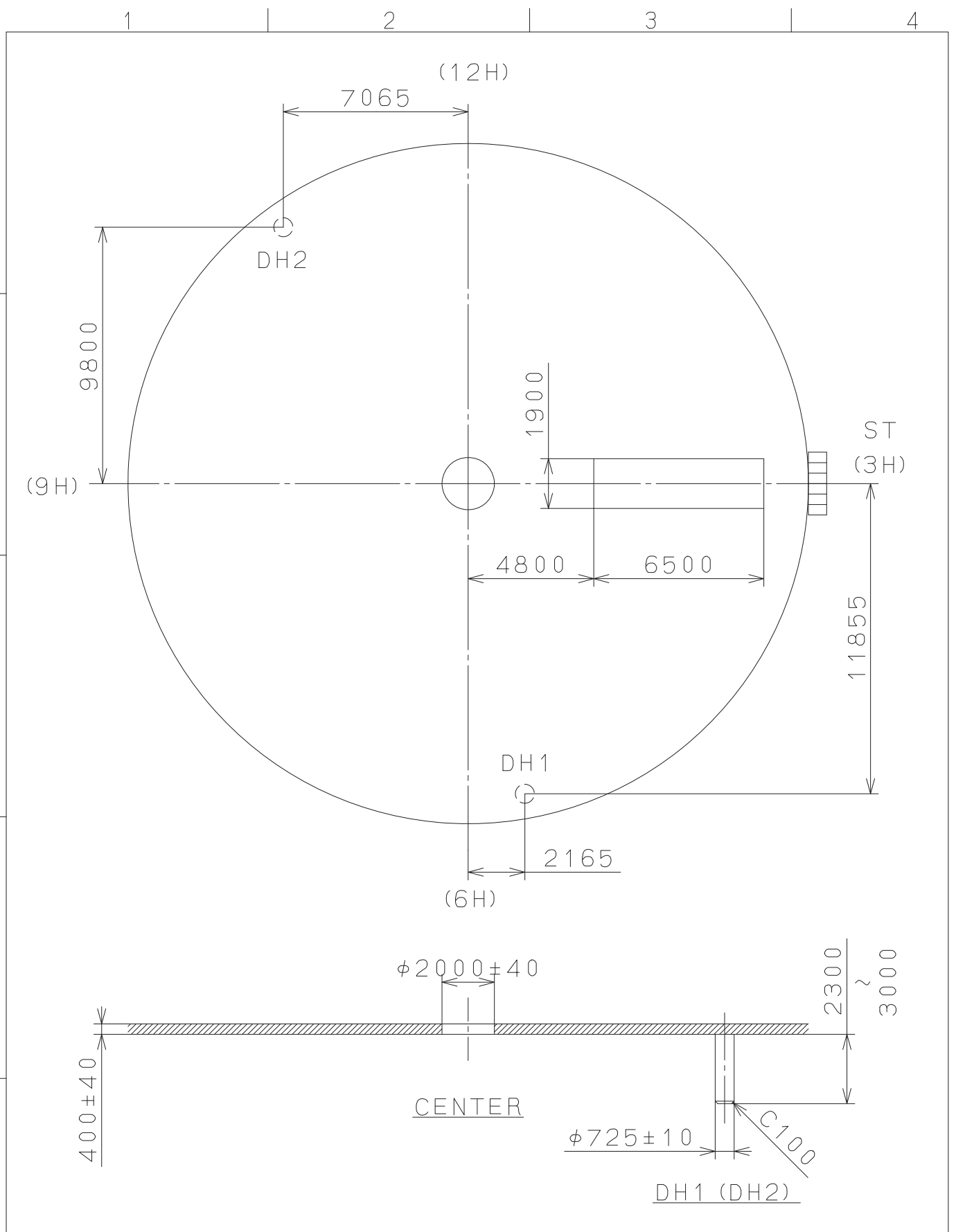


This drawing is provisional and subject to our reconfirmation and/or revision without notice.



Material	Alterations	Quantity	Unit	Cal. NO.:
Heat Treatment	Description	1	1/1000 mm	820A
Hardness	Appro.	Scale	6 : 1	Parts No.:
Plating	Checked	Date		
	Drawn			
	Approved			
	M. Kobayashi			Name:
				Frame for Case
				Drawing No.: 820AC003
				MIYOTA
				CITIZEN WATCH CO., LTD. TOKYO, JAPAN

This drawing is provisional and subject to our reconfirmation and/or revision without notice.

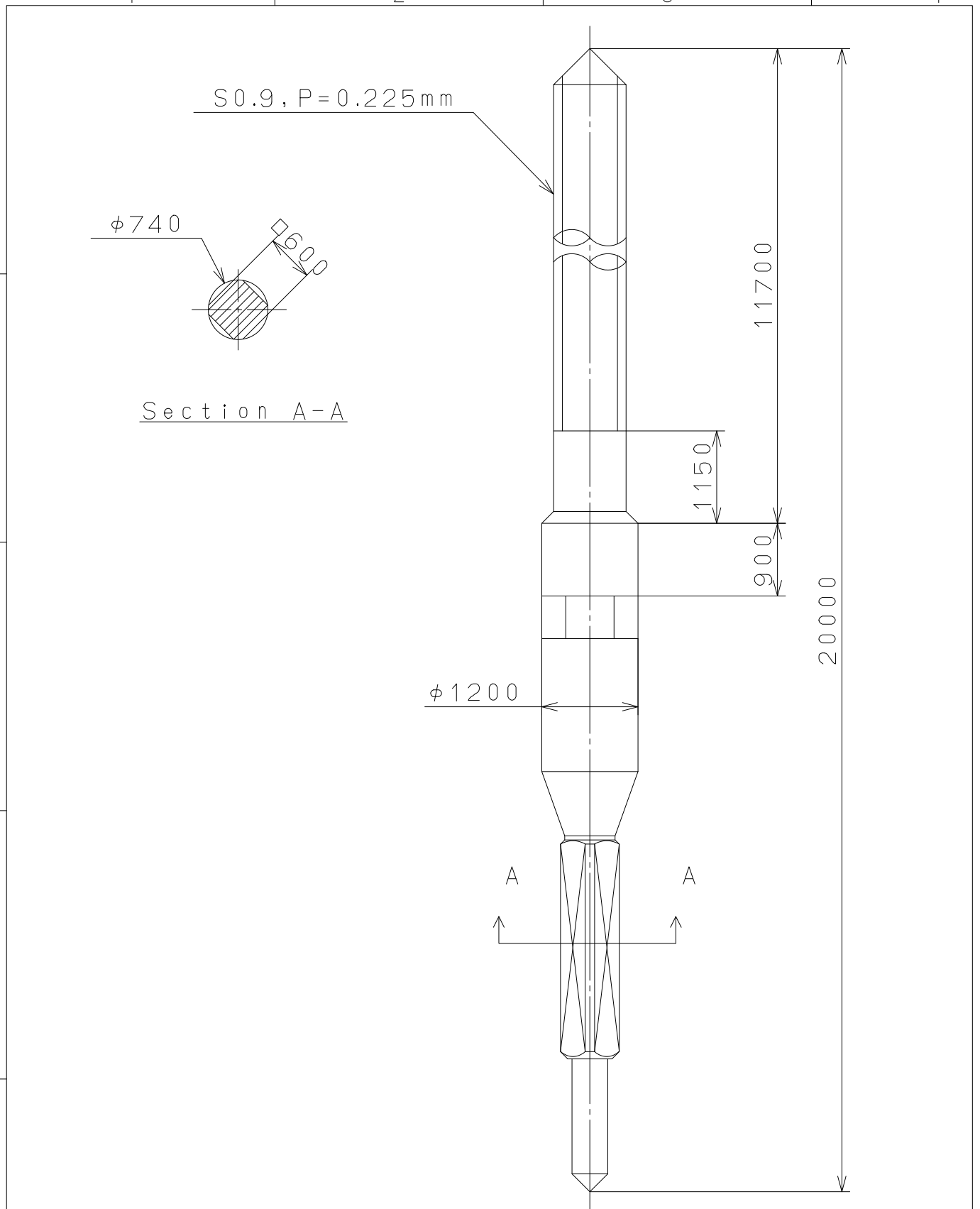


△			Quantity		Cal. NO.:	820A-4AU
△			Unit	1 / 1000 mm	Parts No.:	
△			Scale	5 : 1	Name:	
△			Date		Indications for Dial	
△			Drawn		Drawing No.:	820AD000
Mark	Date	Description	Appr.	Checked	E. Murakami	
Alterations			Approved			
Material				General Tolerances		
Heat Treatment				Dimensions		
Hardness				Angles		
Plating				CITIZEN WATCH CO., LTD. TOKYO, JAPAN		

MIYOTA

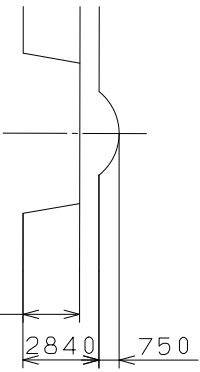
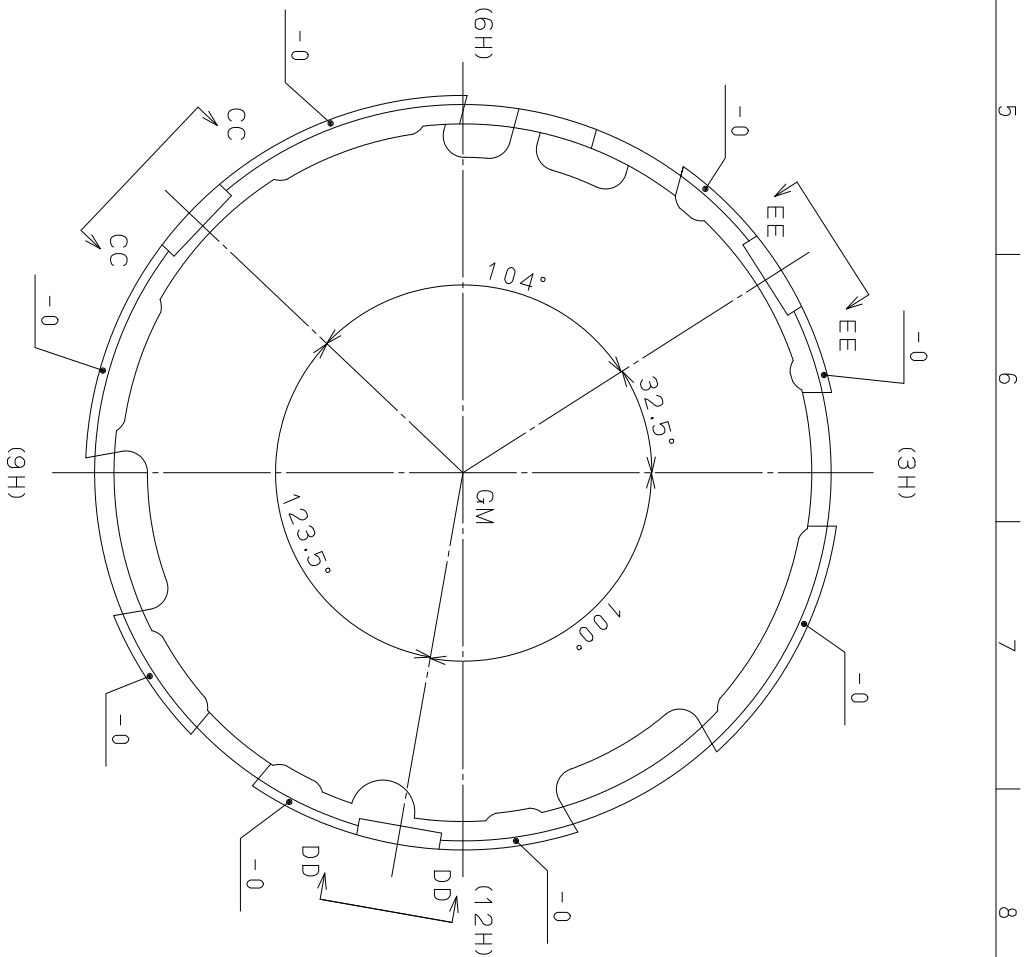
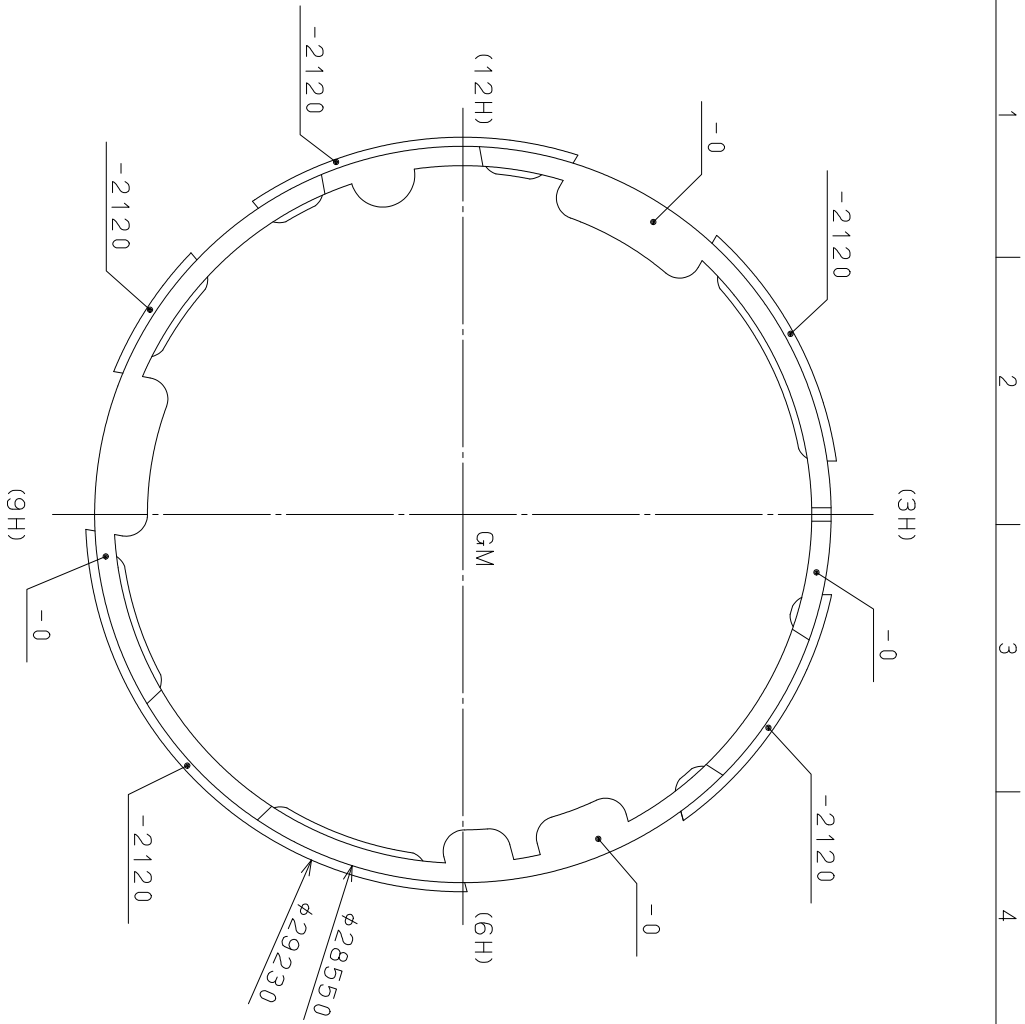
2008/11/14 (11:30:42)

This drawing is provisional and subject to our reconfirmation and/or revision without notice.



△5			Quantity		Cal.NO.:
△4			Unit	1/1000mm	
△3			Scale	15:1	Parts No.:
△2			Date		065-212
△1			Drawn		
Mark	Date	Description	Appr.	Checked	Name:
		Alterations	Approved	N. Suzuki	SETTING STEM
Material					Drawing No.: 2120S001
Heat Treatment			General Tolerances	MIYOTA CITIZEN WATCH CO., LTD. TOKYO, JAPAN	
Hardness			Dimensions		
Plating			Angles		

This drawing is provisional and subject to our reconfirmation and/or revision without notice.



View CC-CC
DD-DD, EE-EE

△	Quantity	1/1000 mm	Call. NO.:
△	Unit	5 : 1	Parts No.:
△	Scale	500-710	Drawn
△	Date		Checked
△	Drawn		Approved
Mark Date Description Appr. Checked		N. Suzuki	Name:
Alterations			Casing Holder
Material			Drawing No.: 8200E003
Heat Treatment			General Tolerances
Hardness			Dimensions
Plating			Angles
			CITIZEN WATCH CO., LTD. TOKYO, JAPAN

MIYOTA