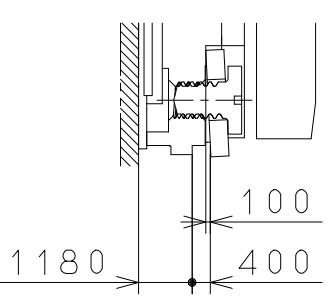
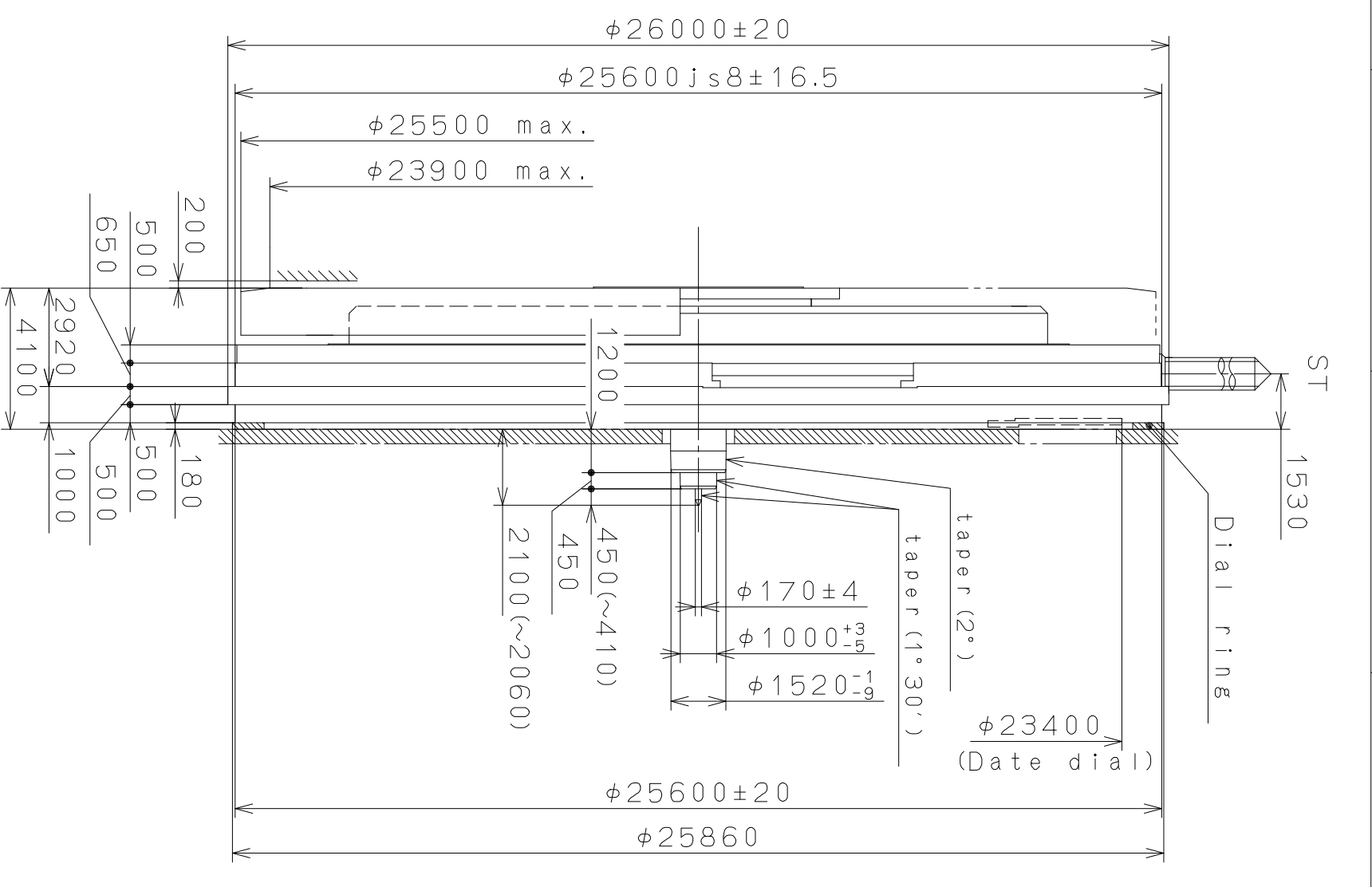
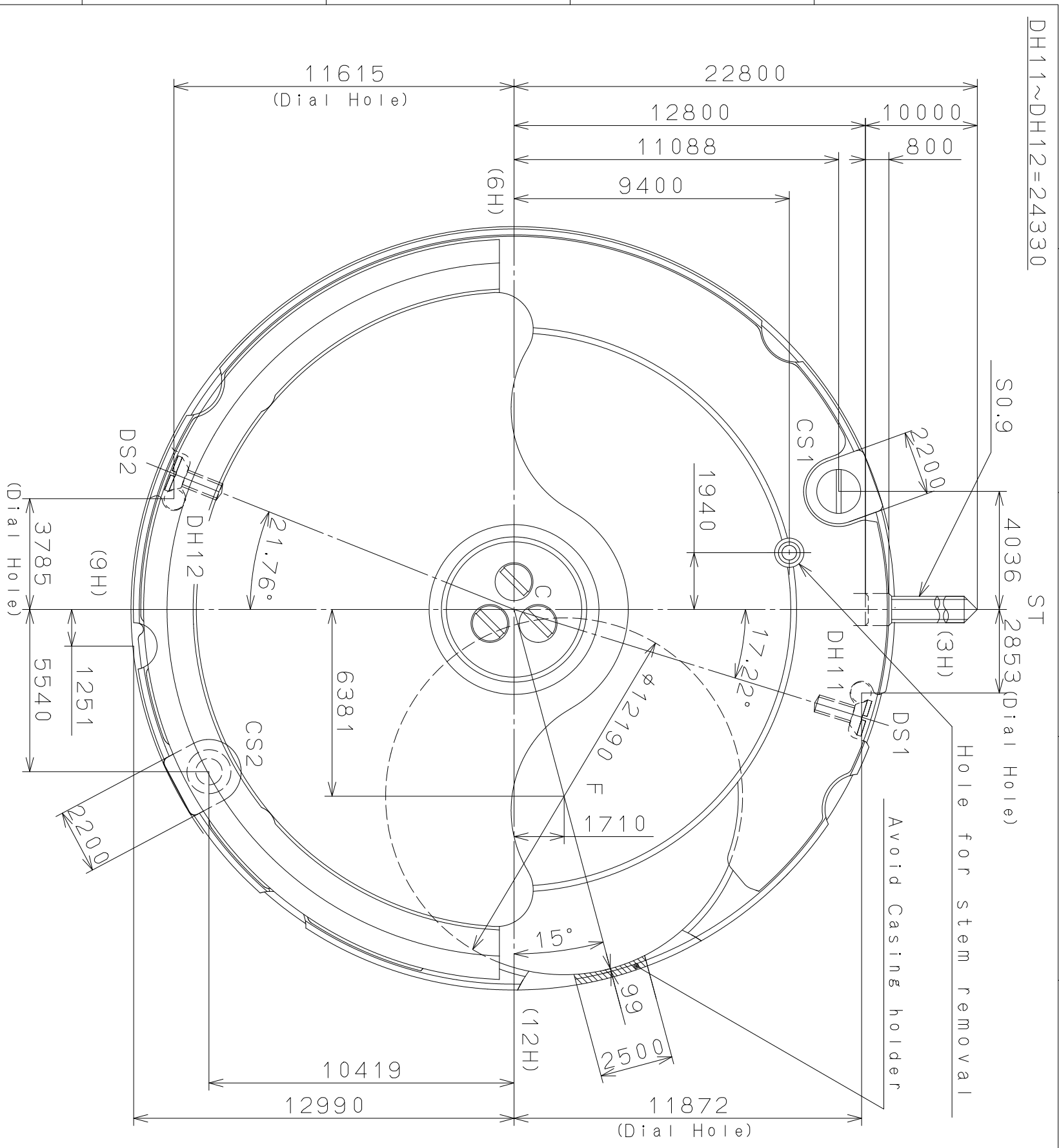
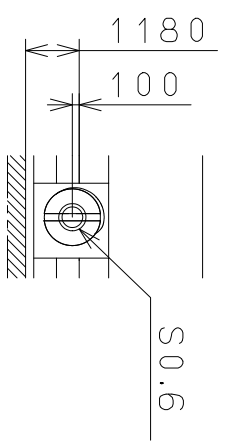


This drawing is provisional and subject to our reconfirmation and/or revision without notice.



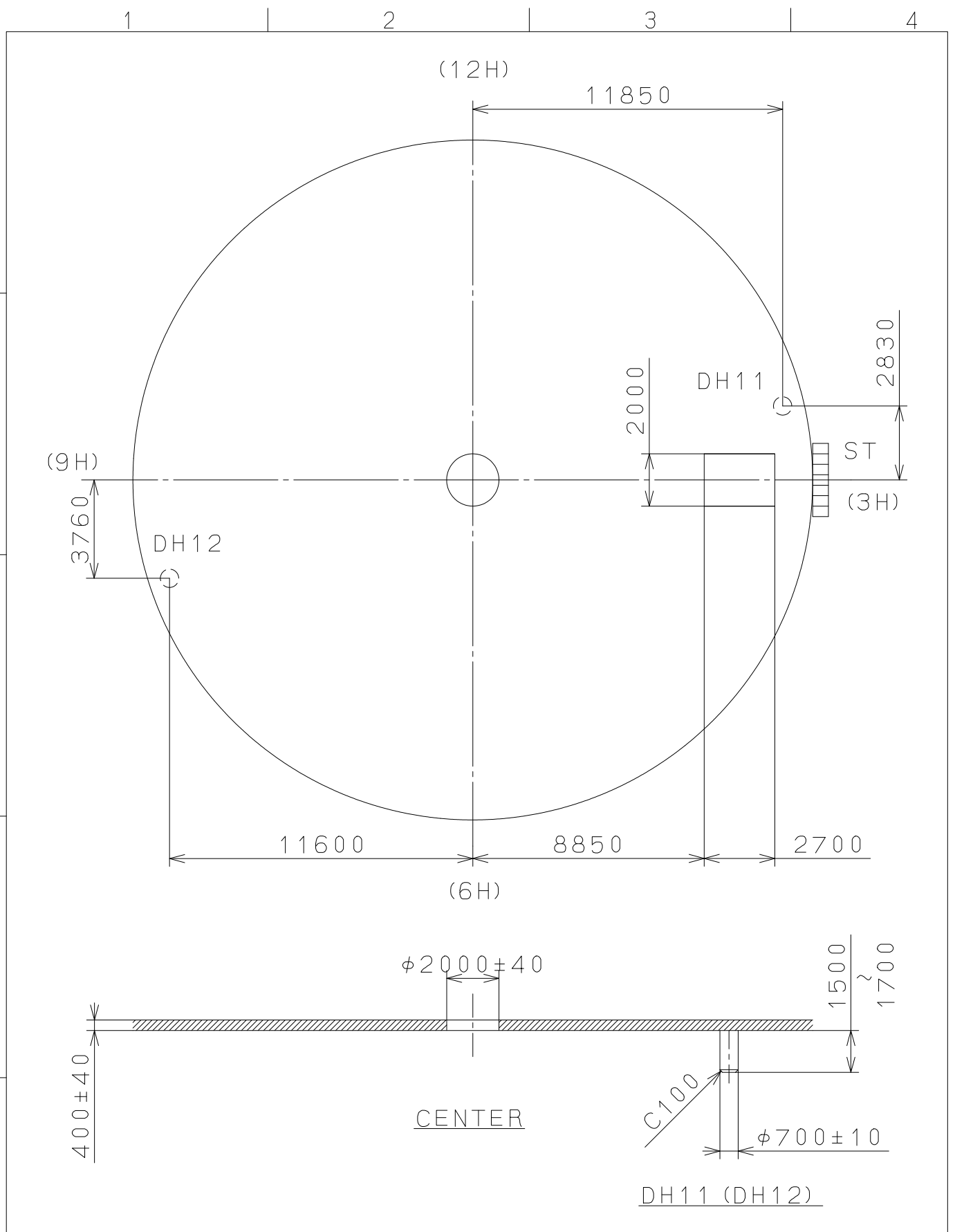
Section CS1, CS2



Section DS1, DS2

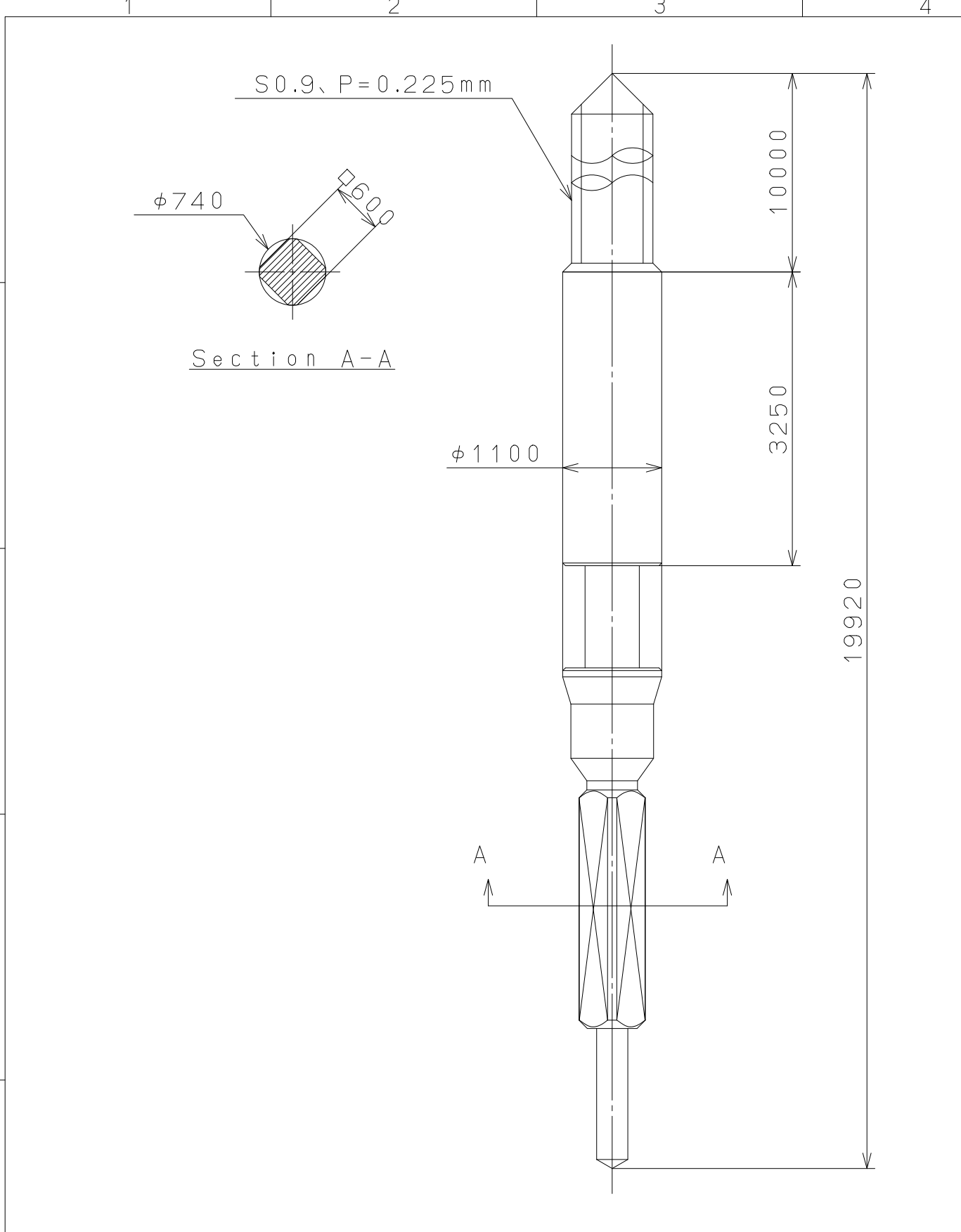
Material	Alterations	Quantity	Unit	Cal. NO.:
Heat Treatment	Date	1	1/1000 mm	9015
Hardness	Description	Scale	6 : 1	Parts No.:
Plating	Approved	Date	Drawn	
	Checked	D. Yamada		
	Name: Frame for Case			
	Drawing No.: 901500C0			
<b>MIYOTA</b>				
CITIZEN WATCH CO., LTD. TOKYO, JAPAN				

This drawing is provisional and subject to our reconfirmation and/or revision without notice.



△			Quantity		Cal.NO.:
△			Unit	1/1000mm	9015-20G
△			Scale	5:1	Parts No.:
△			Date		
△			Drawn		
Mark	Date	Description	Appro.	Checked	Name:
		Alterations	Approved	D. Yamada	
Material					Indications for Dial
Heat Treatment					Drawing No.:901503D0
Hardness				General Tolerances	<b>MIYOTA</b>
Plating				Dimensions	
				Angles	CITIZEN WATCH CO.,LTD. TOKYO,JAPAN

This drawing is provisional and subject to our reconfirmation and/or revision without notice.



△			Quantity		Cal.NO.:
△			Unit	1 / 1000 mm	
△			Scale	17 : 1	Parts No.:
△			Date		065-A05
△			Drawn		Name:
Mark	Date	Description	Appr.	Checked	D. Yamada
Alterations			Approved	SETTING STEM	
Material					Drawing No.: A05000S0
Heat Treatment	General Tolerances				<b>MIYOTA</b>
Hardness	Dimensions				
Plating	Angles				
					CITIZEN WATCH CO., LTD. TOKYO, JAPAN