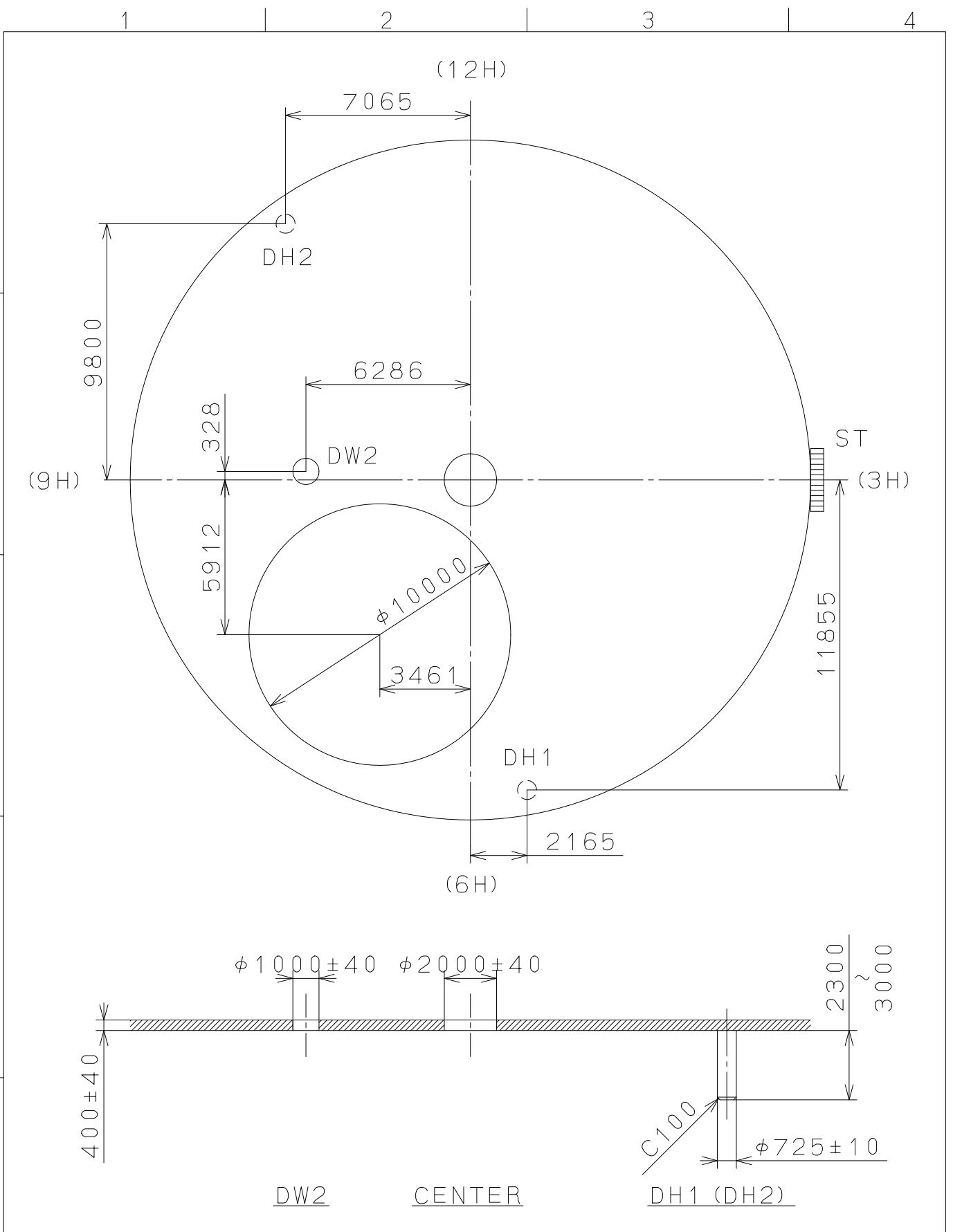


Section CS1, CS2

View A-A

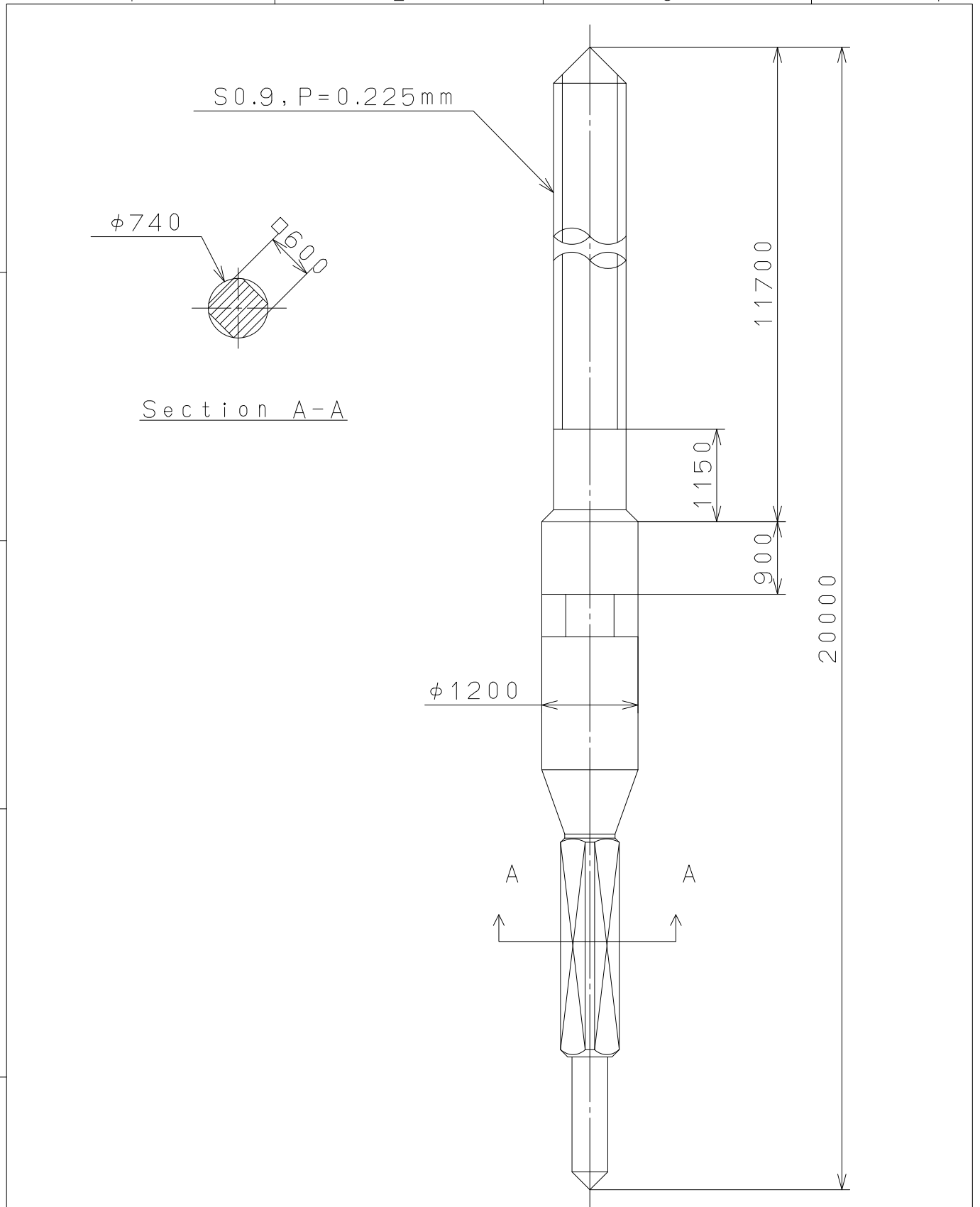
Material	Alterations	Mark	Date	Quantity	Unit	Cal. NO.:
Heat Treatment	Description	Date	Checked	1 / 1000	mm	82S3
Hardness	Appr.	Drawn	Approved	Scale	7 : 1	Parts No.:
Plating	Angles		D. Yamada			
Name: Frame for Case				Drawing No.: 82S300C0		
Material				CITIZEN WATCH CO., LTD. TOKYO, JAPAN		
Heat Treatment				MIYOTA		
Hardness				CITIZEN WATCH CO., LTD. TOKYO, JAPAN		
Plating				CITIZEN WATCH CO., LTD. TOKYO, JAPAN		

This drawing is provisional and subject to our reconfirmation and/or revision without notice.



△			Quantity		Cal.NO.:
△			Unit	1 / 1000 mm	82S3-43A
△			Scale	5 : 1	Parts No.:
△			Date		
△			Drawn		
Mark	Date	Description	Appr.	Checked	Name:
		Alterations	Approved	D. Yamada	
Material					Indications for Dial
Heat Treatment					Drawing No.: 82S30ADS
Hardness					MIYOTA
Plating					

This drawing is provisional and subject to our reconfirmation and/or revision without notice.

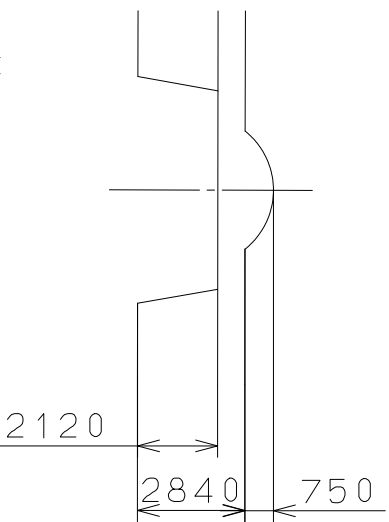
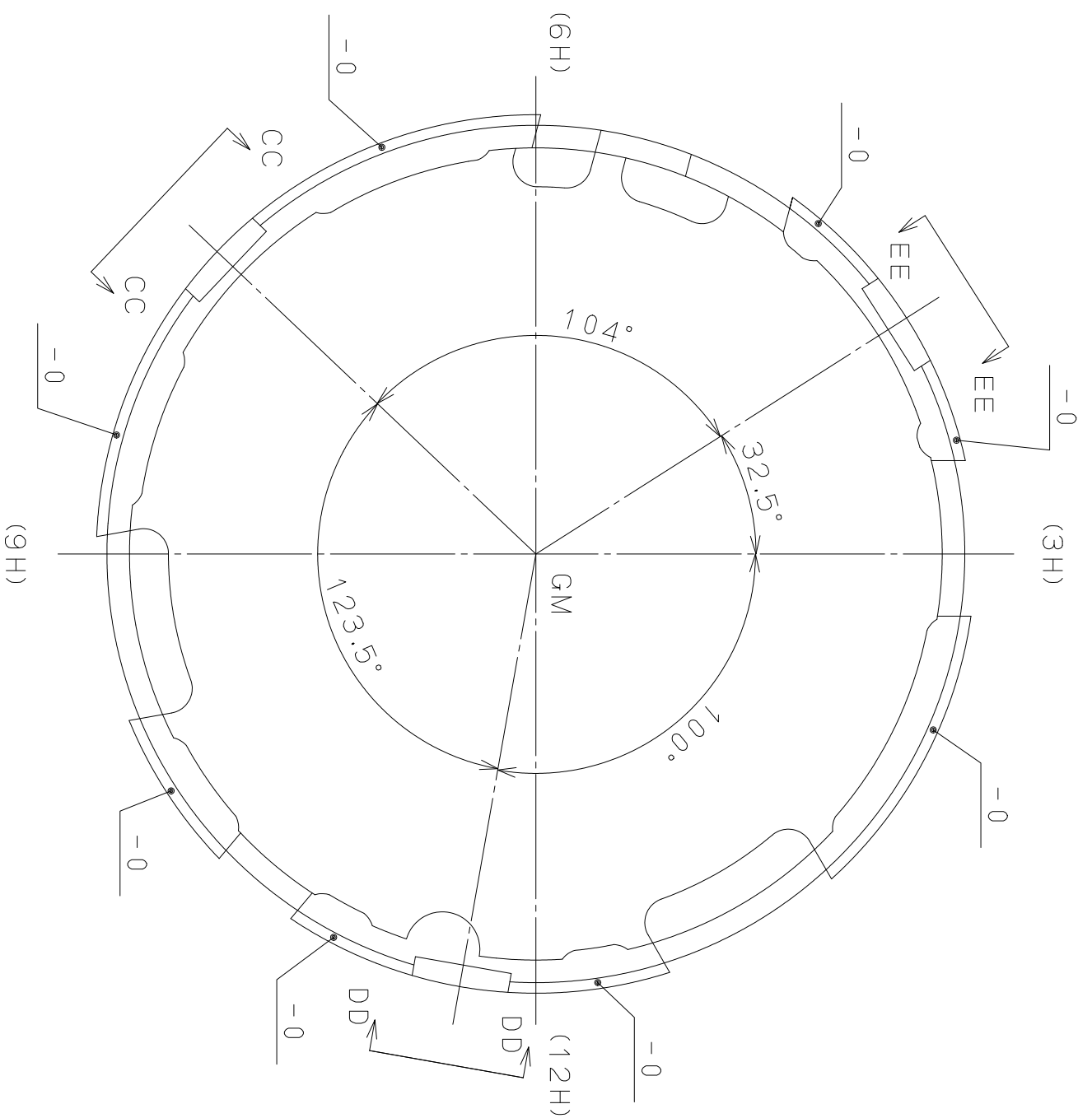
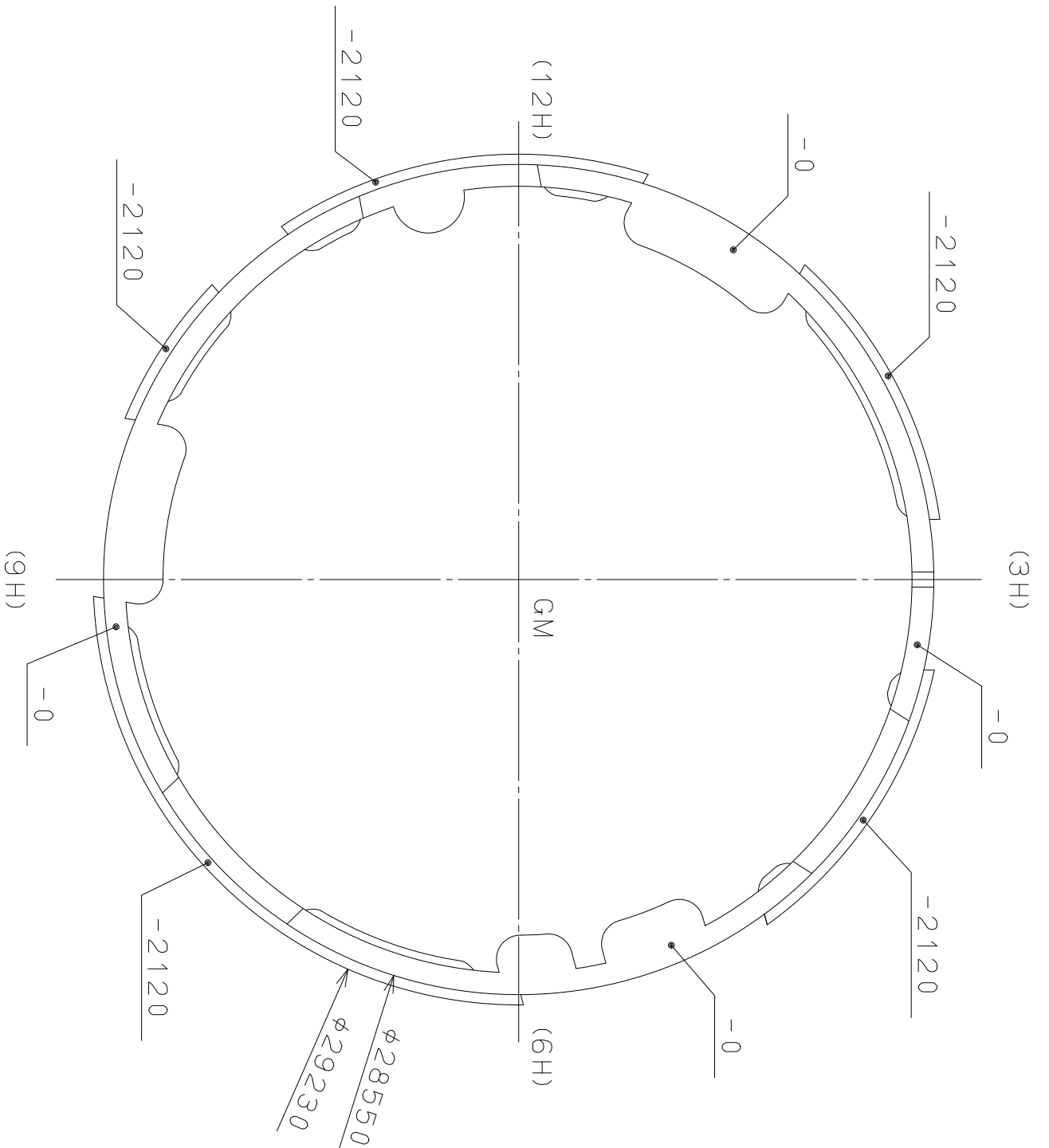


△5			Quantity		Cal.NO.:
△4			Unit	1/1000mm	
△3			Scale	15:1	Parts No.:
△2			Date		065-212
△1			Drawn		Name:
Mark	Date	Description	Appr.	Checked	D. Yamada
Alterations			Approved	SETTING STEM	
Material					Drawing No.: 212000S0
Heat Treatment	General Tolerances				MIYOTA
Hardness	Dimensions				
Plating	Angles				
					CITIZEN WATCH CO., LTD. TOKYO, JAPAN

This drawing is provisional and subject to our reconfirmation and/or revision without notice.

A B C D E F

1 2 3 4 5 6 7 8



View CC-CC
DD-DD, EE-EE

△	Quantity	1 / 1000 mm	Cal. NO.:
△	Unit	5 : 1	Parts No.:
△	Scale	500-710	
△	Date		
△	Drawn		
Mark	Date	Description	Appr.
Alterations	Checked		D. Yamada
Material	Approved		
Heat Treatment			
Hardness	General Tolerances		
Plating	Dimensions		
	Angles		
			Name:
			Casing Holder
			Drawing No.: 820500E0
			MIYOTA
			CITIZEN WATCH CO., LTD. TOKYO, JAPAN