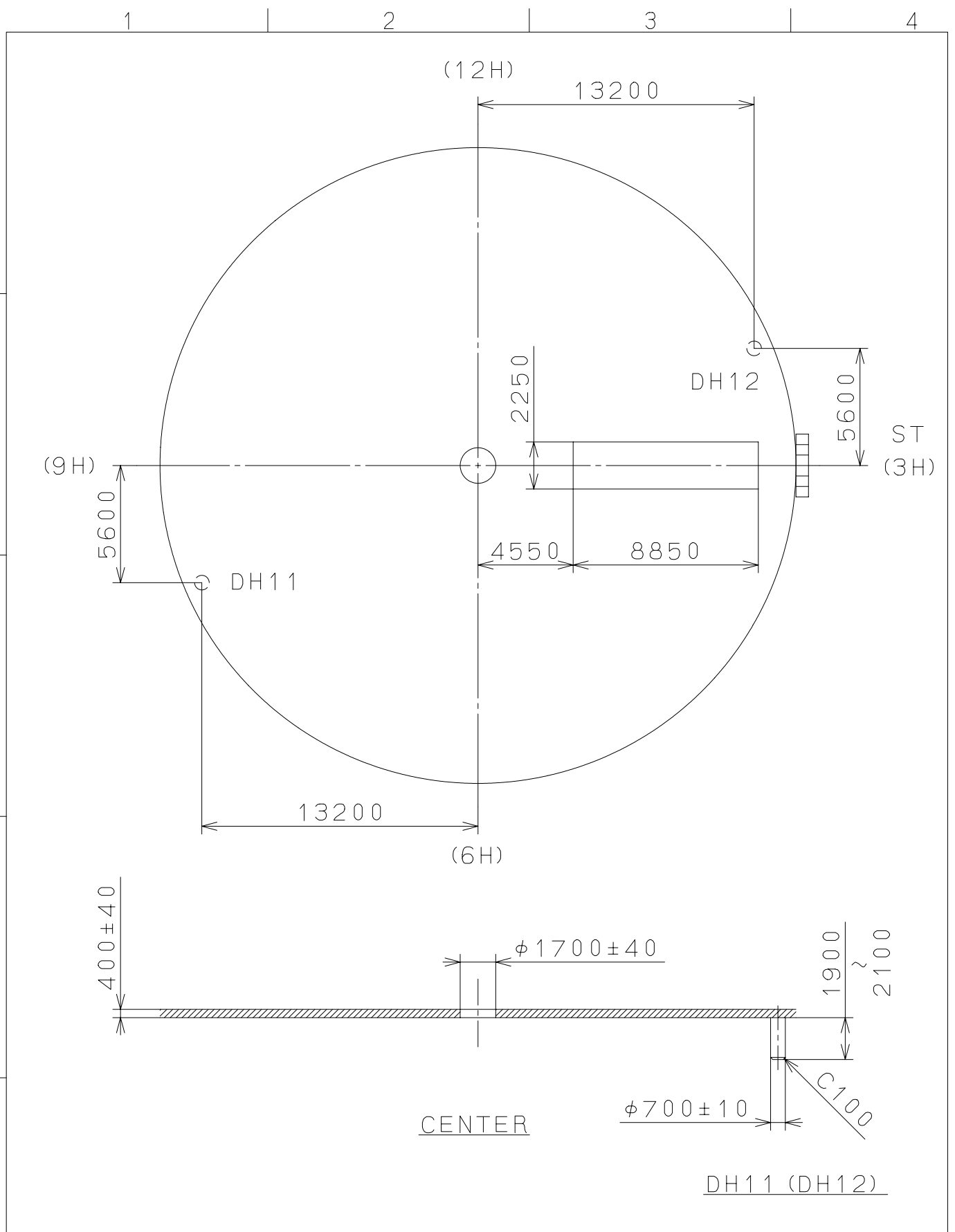


2007/03/16 (09:55:39)

This drawing is provisional and subject to our reconfirmation and/or revision without notice.



△5			Quantity		Cal. NO.
△4			Unit	1 / 1000 mm	2405-20A/20P
△3			Scale	4 / 1	Parts No.:
△2			Date		
△1			Drawn		
Mark	Date	Description	Appr.	Checked	M. Fukuda
Alterations			Approved	Name:	
Material					Indications for Dial
Heat Treatment					Drawing No.: 2405D000
Hardness			General Tolerances		<b>MIYOTA</b>
Plating			Dimensions		
			Angles		CITIZEN WATCH CO., LTD. TOKYO, JAPAN