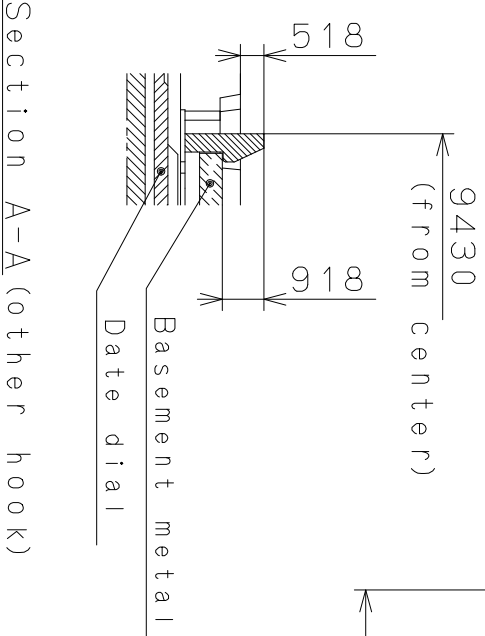
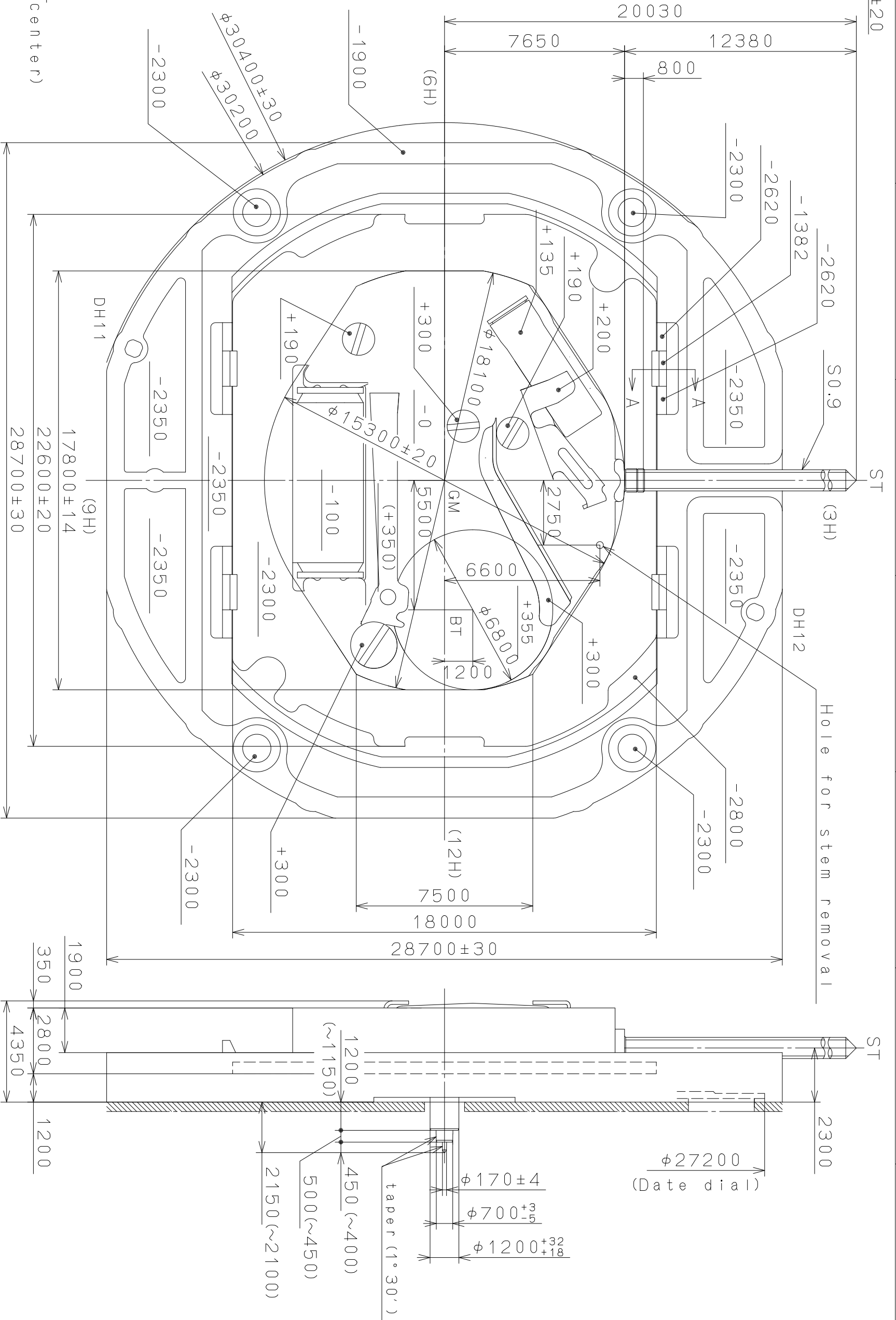


This drawing is provisional and subject to our reconfirmation and/or revision without notice.

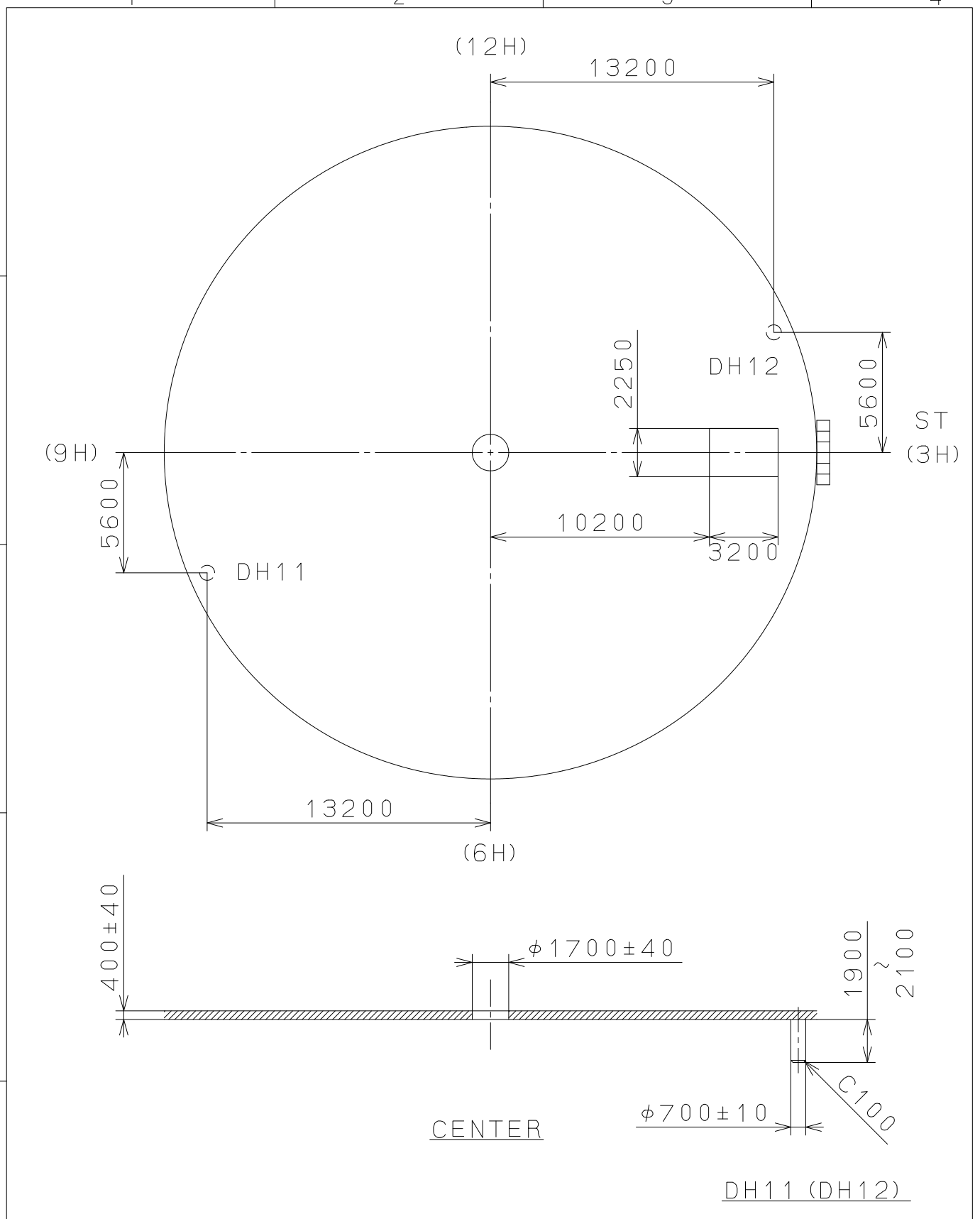
Coordinates		
Mark	X	Y
GM	0	0
DH11	-5600	-13200
DH12	5600	13200



Mark	Date	Description	Appr.	Checked	Drawn	Quantity	Unit	Cal. NO.:
△							1/1000 mm	2417
△							Scale	6 : 1
△							Date	
△							Drawn	
△							Checked	
△							Approved	
△							Alterations	
△							Material	
△							Heat Treatment	
△							Hardness	
△							Plating	

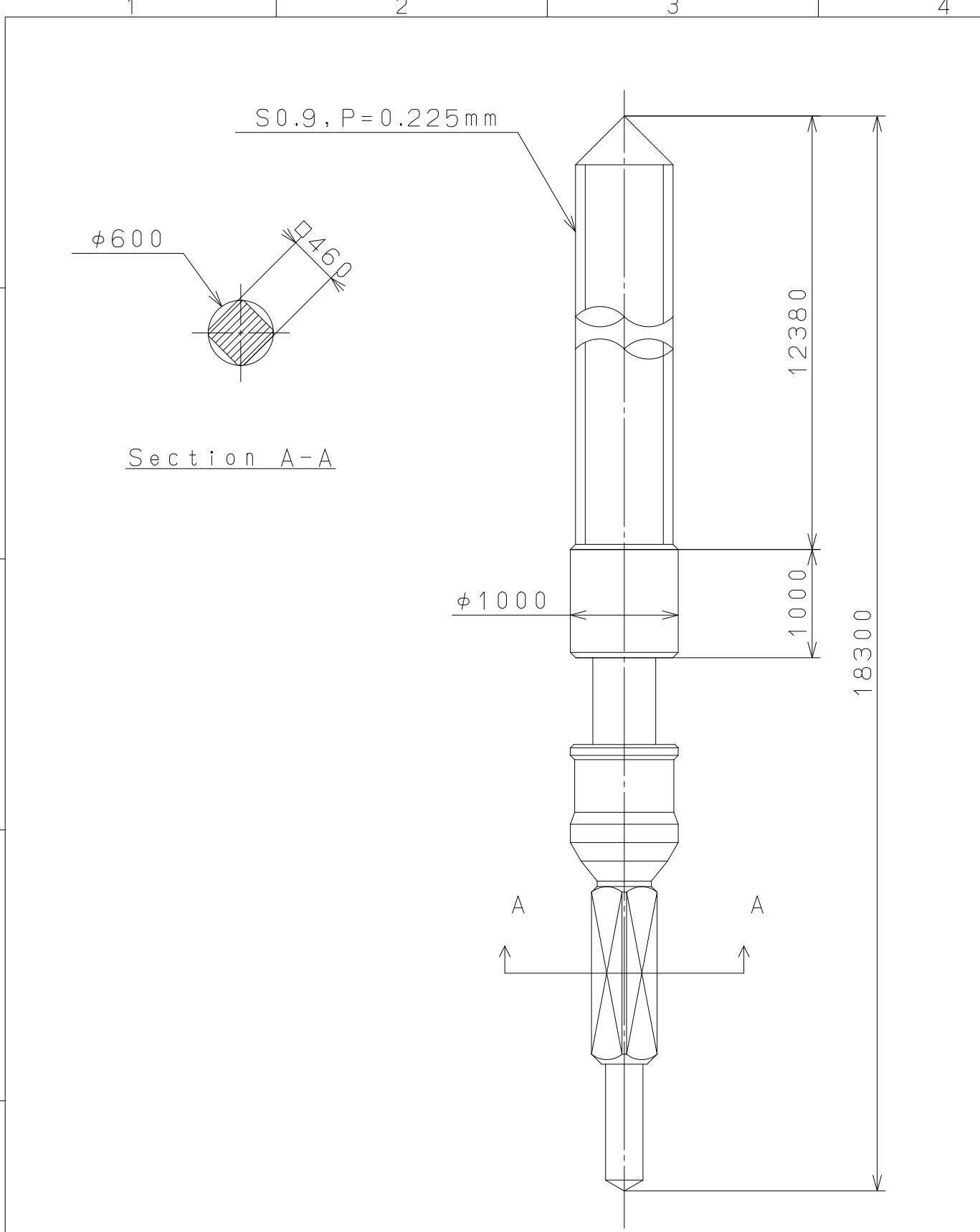
Name: D. Yamada  
 Drawing No.: 241700C0  
**MIYOTA**  
 CITIZEN WATCH CO., LTD. TOKYO, JAPAN

This drawing is provisional and subject to our reconfirmation and/or revision without notice.



△			Quantity		Cal.NO.:
△			Unit	1 / 1000 mm	2417-20A
△			Scale	4 : 1	Parts No.:
△			Date		
△			Drawn		
Mark	Date	Description	Appro.	Checked	Name:
		Alterations		Approved	D. Yamada
Material					Indications for Dial
Heat Treatment					Drawing No.: 241700D0
Hardness			General Tolerances		<b>MIYOTA</b>
Plating			Dimensions		
			Angles		CITIZEN WATCH CO., LTD. TOKYO, JAPAN

This drawing is provisional and subject to our reconfirmation and/or revision without notice.



△5			Quantity		Cal.NO.:
△4			Unit	1 / 1000 mm	
△3			Scale	20 : 1	Parts No.:
△2			Date		065-299
△1			Drawn		
Mark	Date	Description	Appr.	Checked	D. Yamada
Alterations			Approved	Name:	
			SETTING STEM		
Material					Drawing No.: 299000S0
Heat Treatment					<b>MIYOTA</b> CITIZEN WATCH CO., LTD. TOKYO, JAPAN
Hardness					
Plating					