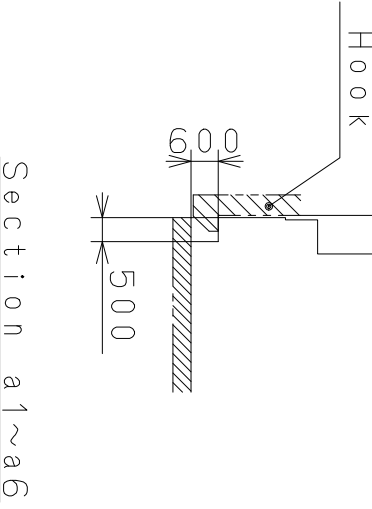
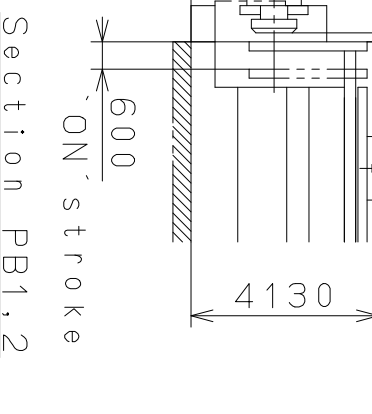
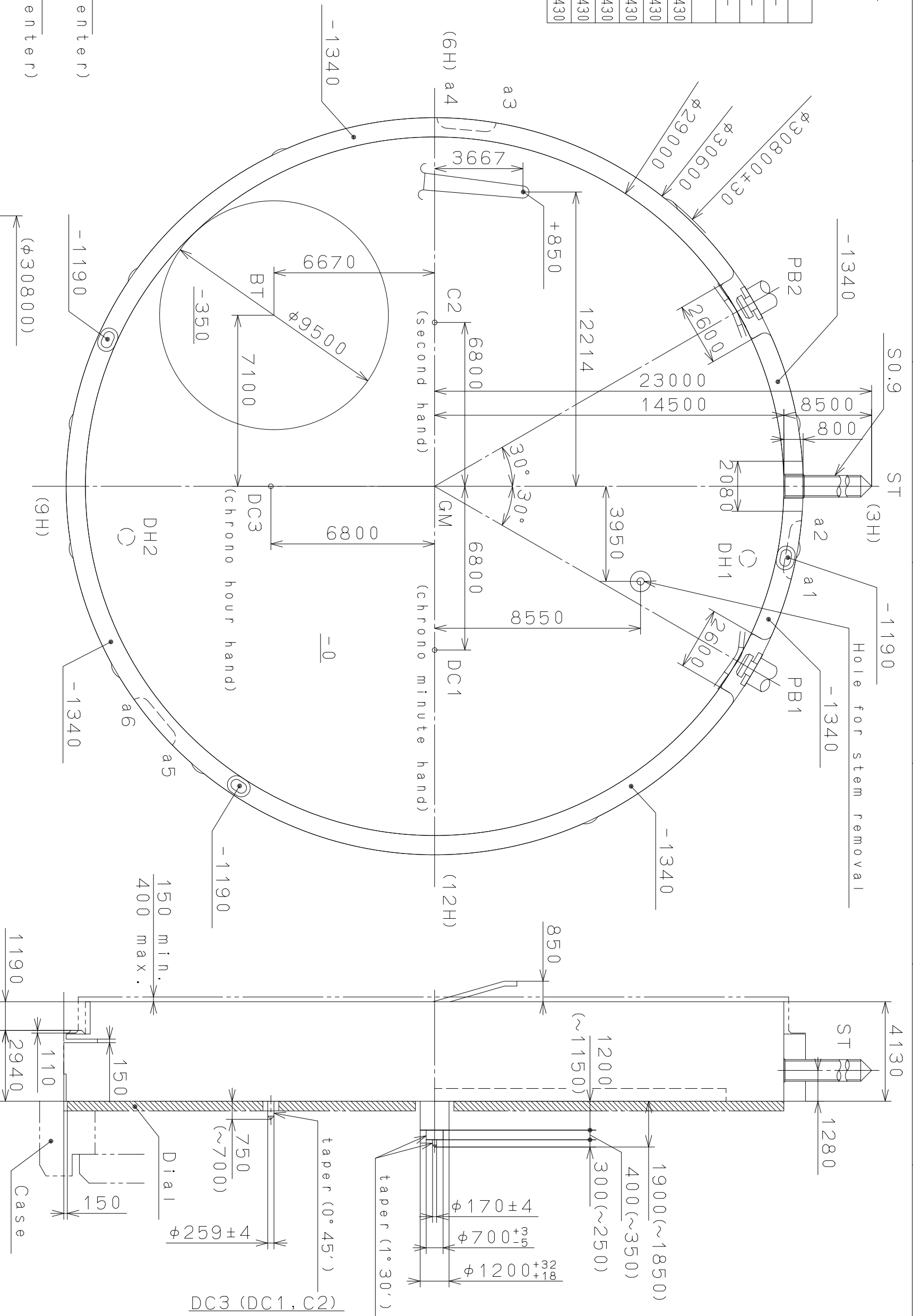


This drawing is provisional and subject to our reconfirmation and/or revision without notice.

DH1~DH2=25816±20

Coordinates			
Mark	X	Y	R
GM	0	0	—
DH1	3000	13000	—
DH2	2100	-12800	—
a1	3441	14908	430
a2	1865	15186	430
a3	-15151	2129	430
a4	-15291	535	430
a5	10434	-11190	430
a6	9208	-12219	430



Mark	Date	Description	Appr.	Checked	Drawn
Material		Alterations	Approved		
Heat Treatment					
Hardness					
Plating					

Quantity	Unit	Cal. NO.:
1	1/1000 mm	OS30

Scale	Parts No.:
6 : 1	

Material	General Tolerances
	Dimensions
	Angles

Mark Date Description Appr. Checked Drawn

Name: D. Yamada

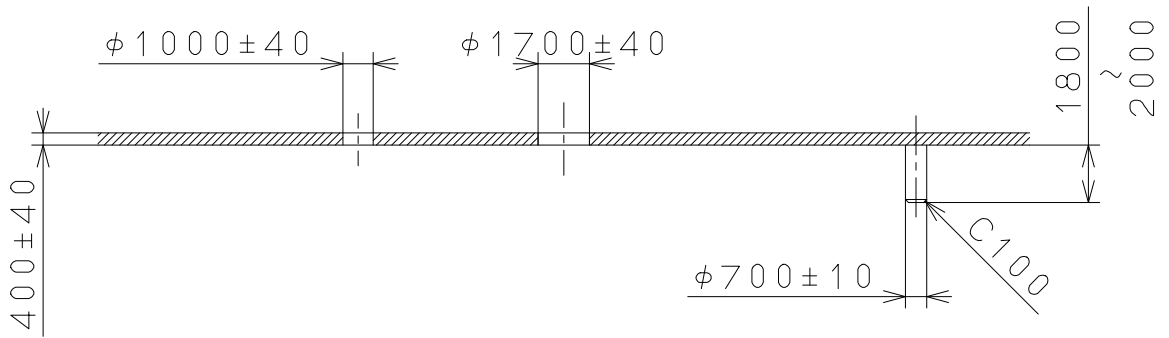
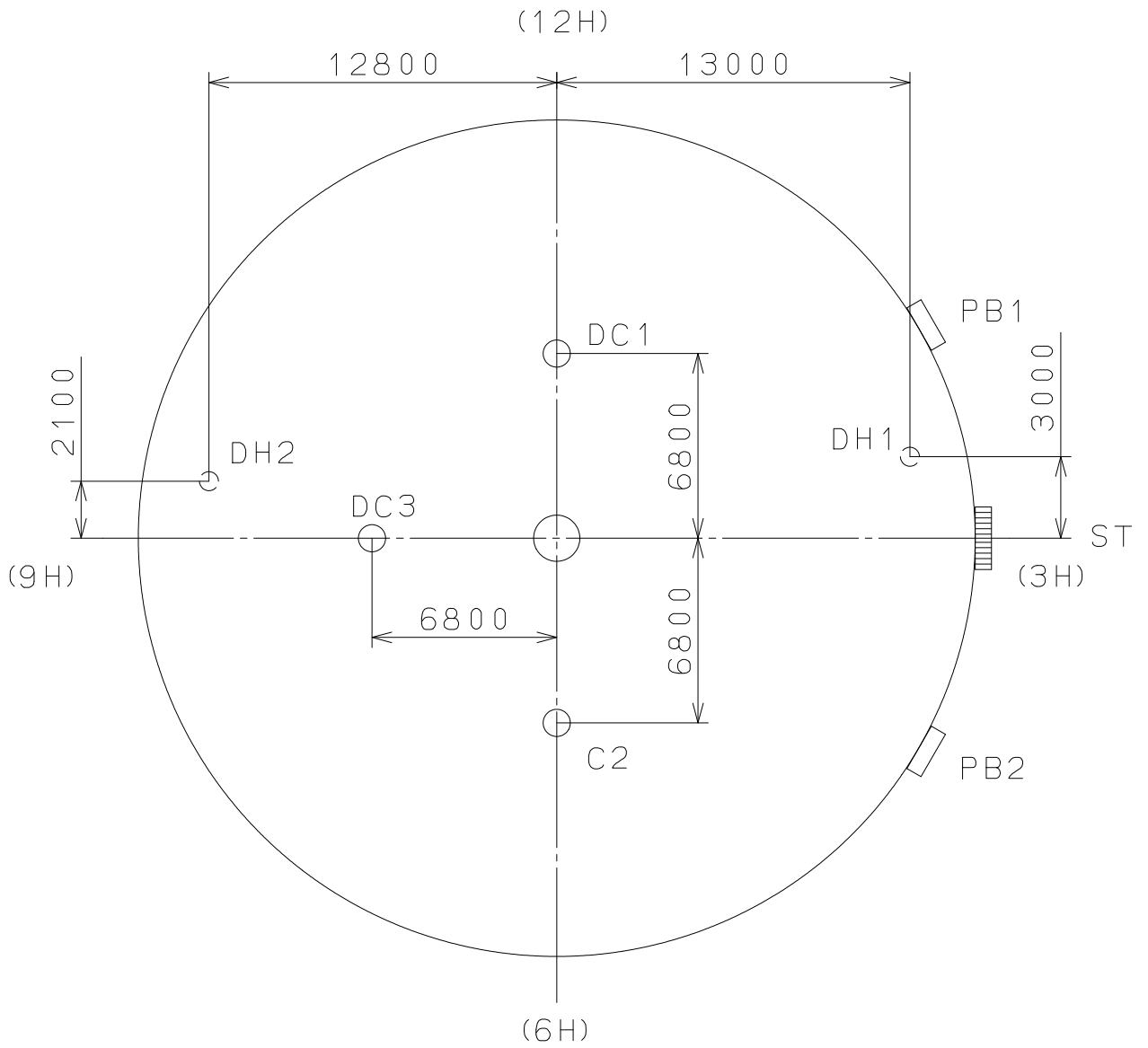
Frame for Case

Drawing No.: OS3000C0

MIYOTA

CITIZEN WATCH CO., LTD. TOKYO, JAPAN

This drawing is provisional and subject to our reconfirmation and/or revision without notice.

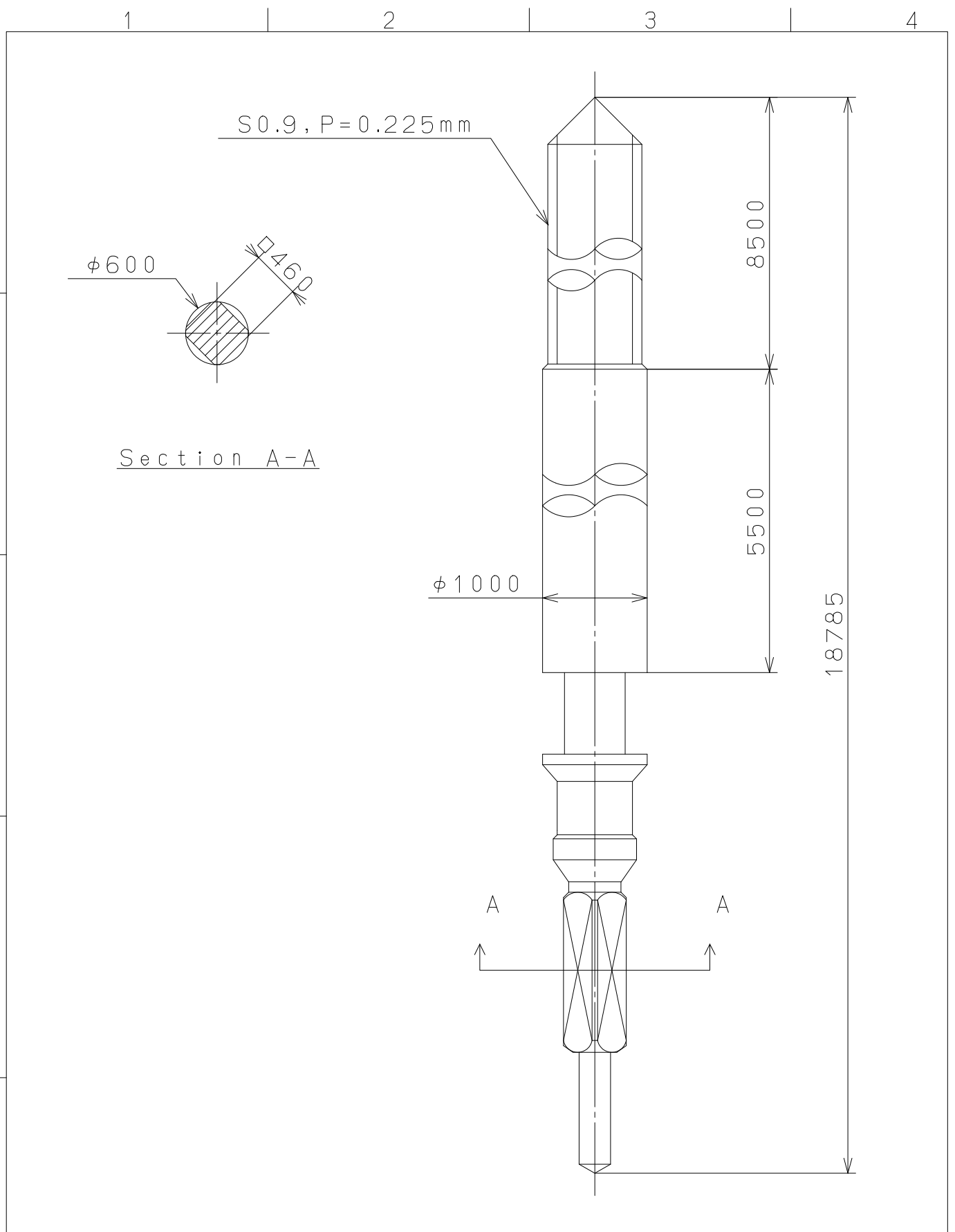


DC1, DC3, C2 CENTER

DH1 (DH2)

△			Quantity		Cal.NO.:
△			Unit	1 / 1000 mm	OS30-10A
△			Scale	4 : 1	Parts No.:
△			Date		
△			Drawn		
Mark	Date	Description	Appro.	Checked	Name:
		Alterations	Approved	D. Yamada	Indications for Dial
Material					Drawing No.: OS3000D0
Heat Treatment			General Tolerances		MIYOTA
Hardness			Dimensions		
Plating			Angles		
					CITIZEN WATCH CO., LTD. TOKYO, JAPAN

This drawing is provisional and subject to our reconfirmation and/or revision without notice.



⑤			Quantity		Cal.NO.:
④			Unit	1 / 1000 mm	
③			Scale	20 : 1	Parts No.:
②			Date		065-453
①			Drawn		
Mark	Date	Description	Appro.	Checked	Name:
		Alterations		Approved	SETTING STEM
Material					Drawing No.: 453000S0
Heat Treatment				General Tolerances	MIYOTA
Hardness				Dimensions	
Plating				Angles	
					CITIZEN WATCH CO., LTD. TOKYO, JAPAN