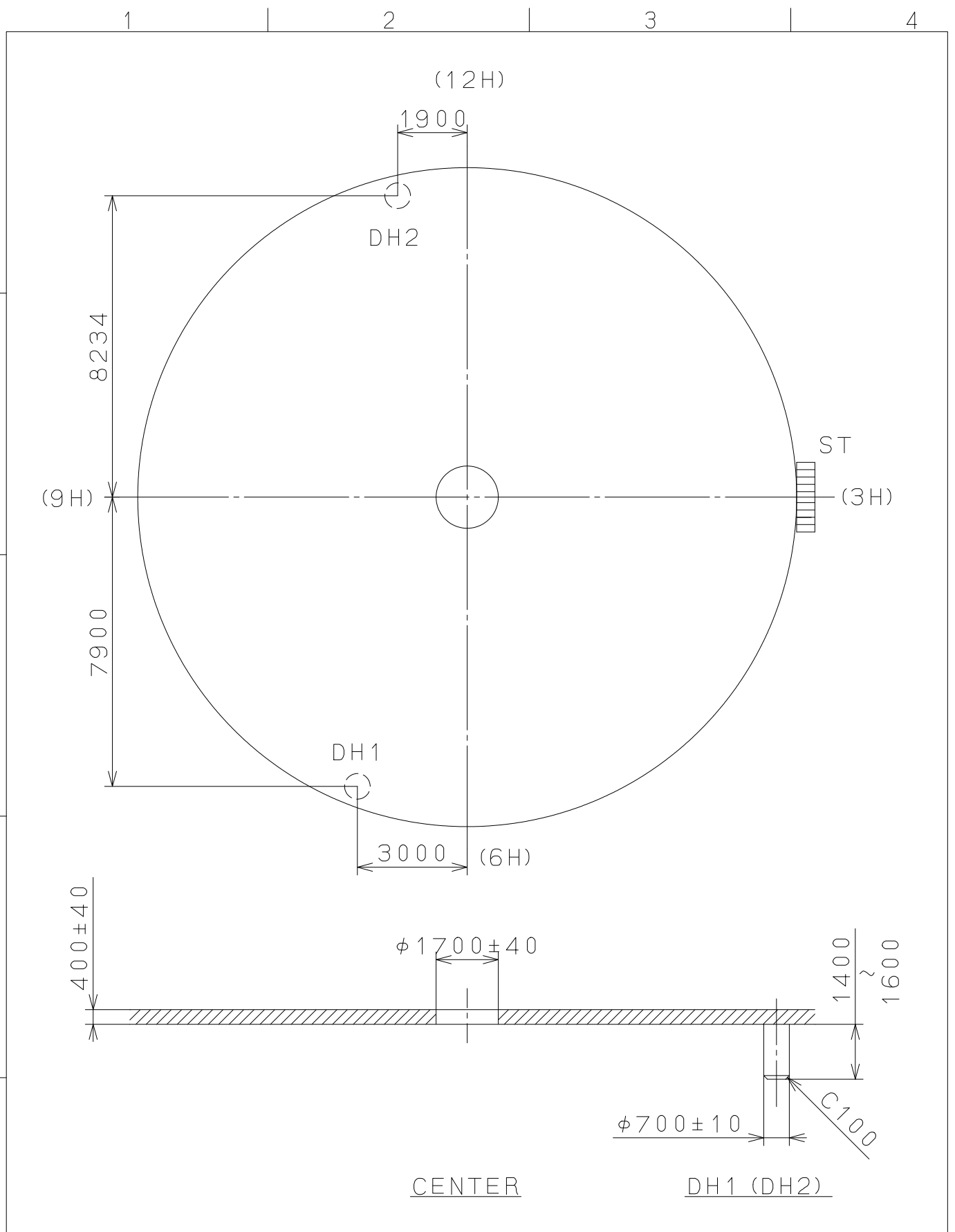


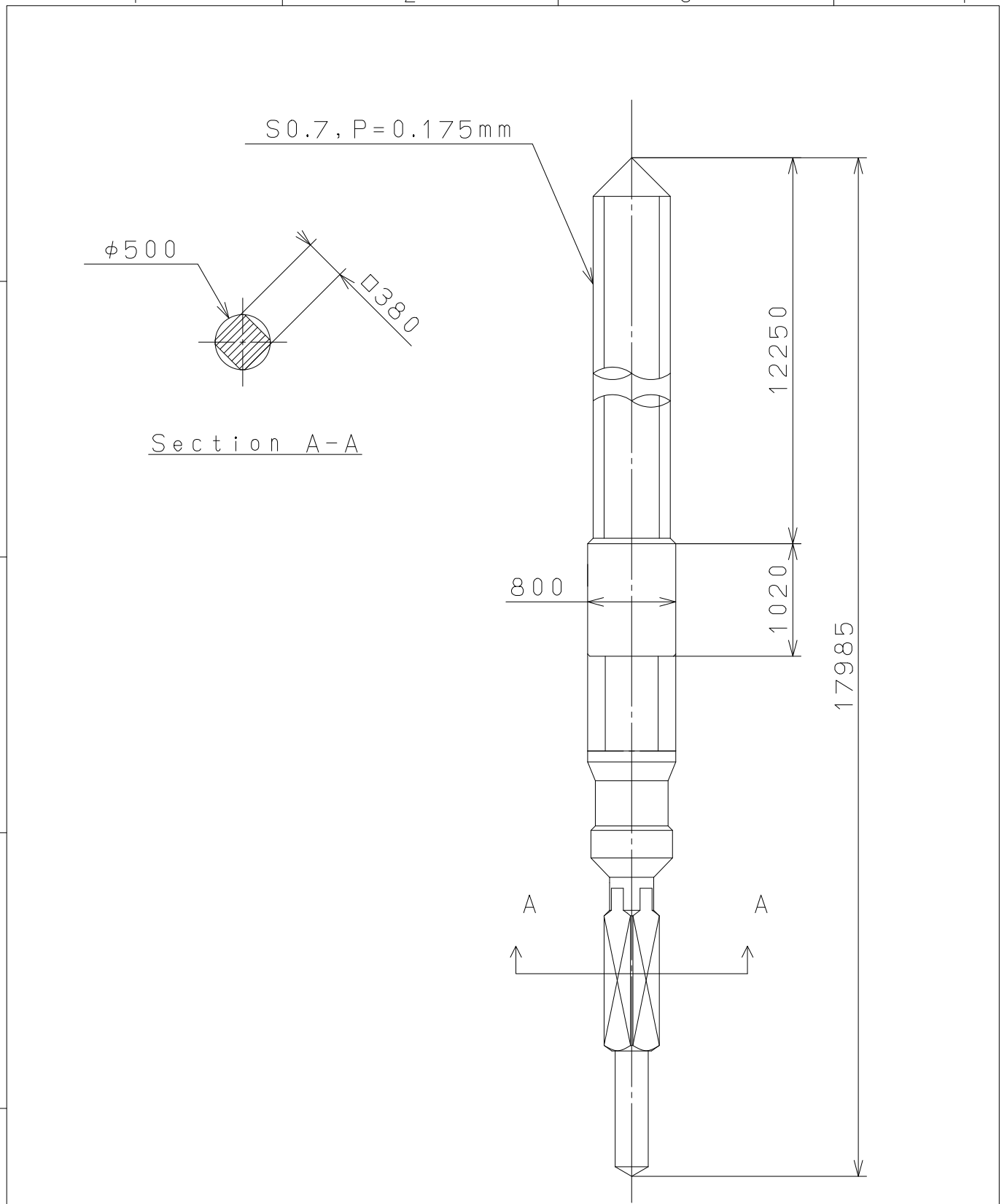


This drawing is provisional and subject to our reconfirmation and/or revision without notice.



|                |      |             |          |             |   |
|----------------|------|-------------|----------|-------------|---|
| △              |      |             | Quantity |             | Cal.NO.:  |
| △              |      |             | Unit     | 1 / 1000 mm | 9T35-00A  |
| △              |      |             | Scale    | 7 : 1       | Parts No.:  |
| △              |      |             | Date     |             |   |
| △              |      |             | Drawn    |             |   |
| Mark           | Date | Description | Appr.    | Checked     | Name:   |
| Alterations    |      |             | Approved |             | Indications for Dial                                  |
| Material       |      |             |          |             | Drawing No.: 9T3500D0                                 |
| Heat Treatment |      |             |          |             | <b>MIYOTA</b><br>CITIZEN WATCH CO., LTD. TOKYO, JAPAN |
| Hardness       |      |             |          |             |   |
| Plating        |      |             |          |             |   |

This drawing is provisional and subject to our reconfirmation and/or revision without notice.



|                |                    |             |          |                    |                                    |
|----------------|--------------------|-------------|----------|--------------------|------------------------------------|
| △5             |                    |             | Quantity |                    | Cal.NO.:                           |
| △4             |                    |             | Unit     | 1/1000mm           |                                    |
| △3             |                    |             | Scale    | 20:1               | Parts No.:                         |
| △2             |                    |             | Date     |                    | 065-495                            |
| △1             |                    |             | Drawn    |                    |                                    |
| Mark           | Date               | Description | Appro.   | Checked            | D.Yamada                           |
| Alterations    |                    |             | Approved | Name: SETTING STEM |                                    |
| Material       |                    |             |          |                    | Drawing No.: 495000S0              |
| Heat Treatment | General Tolerances |             |          |                    | <b>MIYOTA</b>                      |
| Hardness       | Dimensions         |             |          |                    |                                    |
| Plating        | Angles             |             |          |                    |                                    |
|                |                    |             |          |                    | CITIZEN WATCH CO.,LTD. TOKYO,JAPAN |