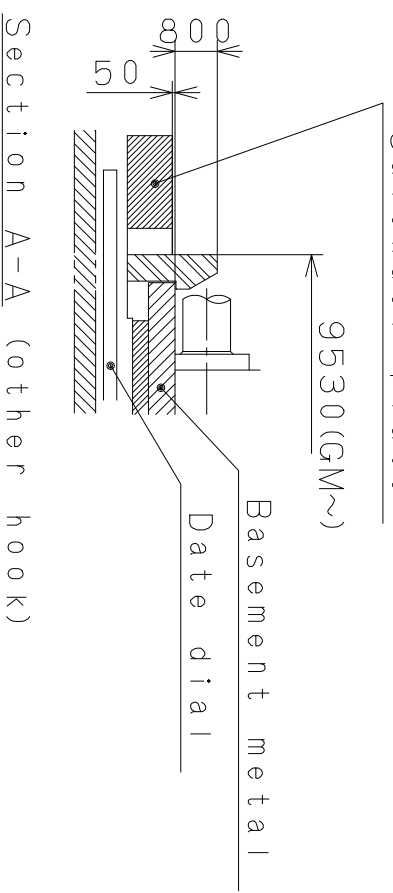
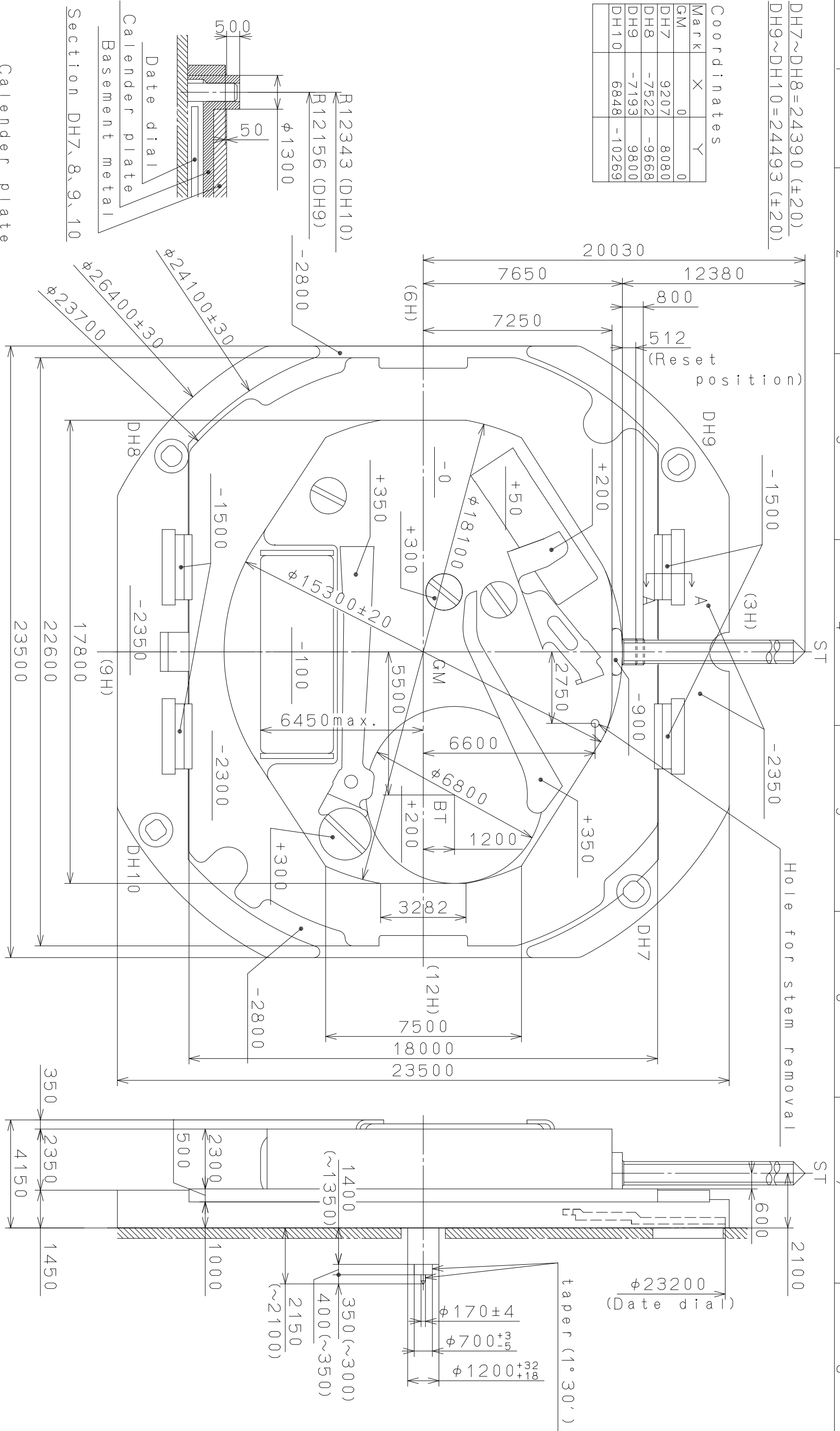


This drawing is provisional and subject to our reconfirmation and/or revision without notice.

Coordinates		
Mark	X	Y
GM	0	0
DH7	9207	8080
DH8	-7522	-9668
DH9	-7193	9800
DH10	6848	-10269

DH7~DH8=24390 (±20)  
 DH9~DH10=24493 (±20)



Mark	Date	Description	Appro.	Checked	Name:
△					E. Murakami
△					
△					
△					
△					
△					
△					
△					

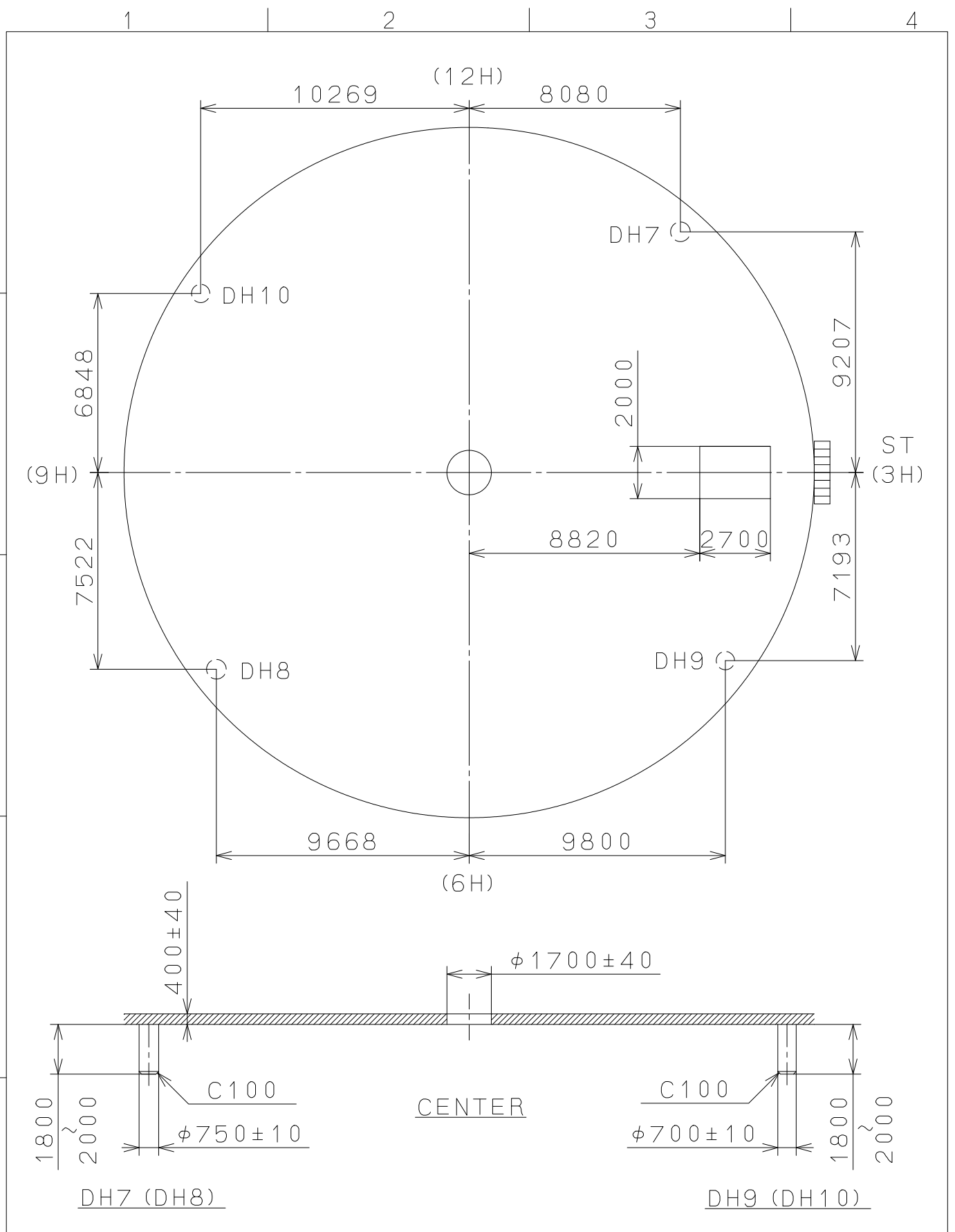
Alterations

Material	Heat Treatment	Hardness	Plating

Quantity: 1/1000 mm  
 Scale: 7:1  
 Unit: mm  
 Parts No.: 2317  
 Cal. NO.: 2317  
 Drawing No.: 2317C000  
 Name: Frame for Case  
 Drawing No.: 2317C000

**MIYOTA**  
 CITIZEN WATCH CO., LTD. TOKYO, JAPAN

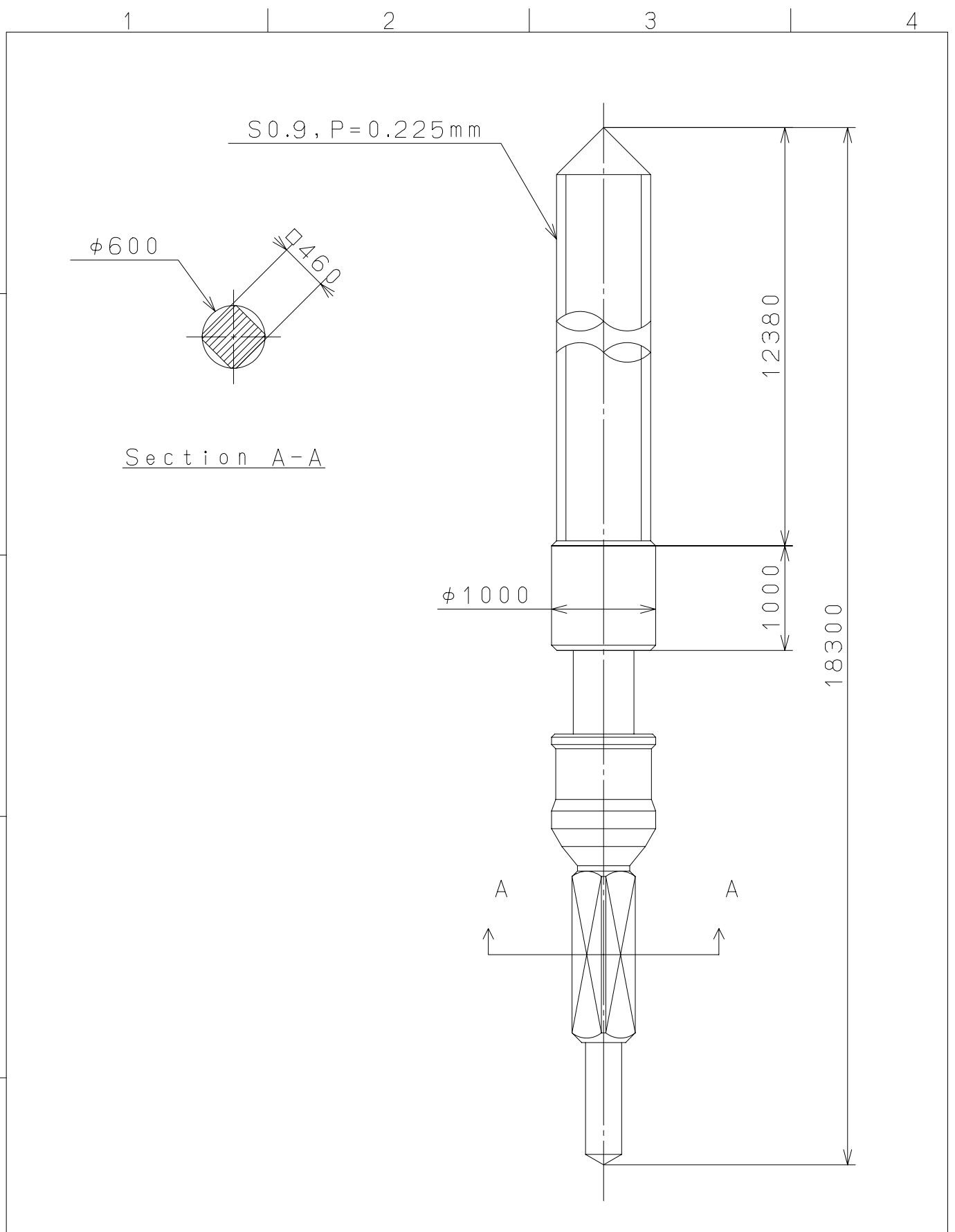
This drawing is provisional and subject to our reconfirmation and/or revision without notice.



△			Quantity		Cal.NO.:
△			Unit	1 / 1000 mm	2317-20A
△			Scale	5 : 1	Parts No.:
△			Date		
△			Drawn		
Mark	Date	Description	Appr.	Checked	Name:
		Alterations	Approved	E. Murakami	Indications for Dial
Material					Drawing No.: 2317D000
Heat Treatment			General Tolerances		
Hardness			Dimensions		
Plating			Angles		
				CITIZEN WATCH CO., LTD. TOKYO, JAPAN	

2007/03/16 (09:59:29)

This drawing is provisional and subject to our reconfirmation and/or revision without notice.



△			Quantity		Cal.NO.:
△			Unit	1 / 1000 mm	
△			Scale	20 / 1	Parts No.:
△			Date		065-299
△			Drawn		Name:
Mark	Date	Description	Appro.	Checked	T. Hiruta
Alterations			Approved	SETTING STEM	
Material				Drawing No.: 2990S000	
Heat Treatment				<b>MIYOTA</b> CITIZEN WATCH CO., LTD. TOKYO, JAPAN	
Hardness					
Plating					