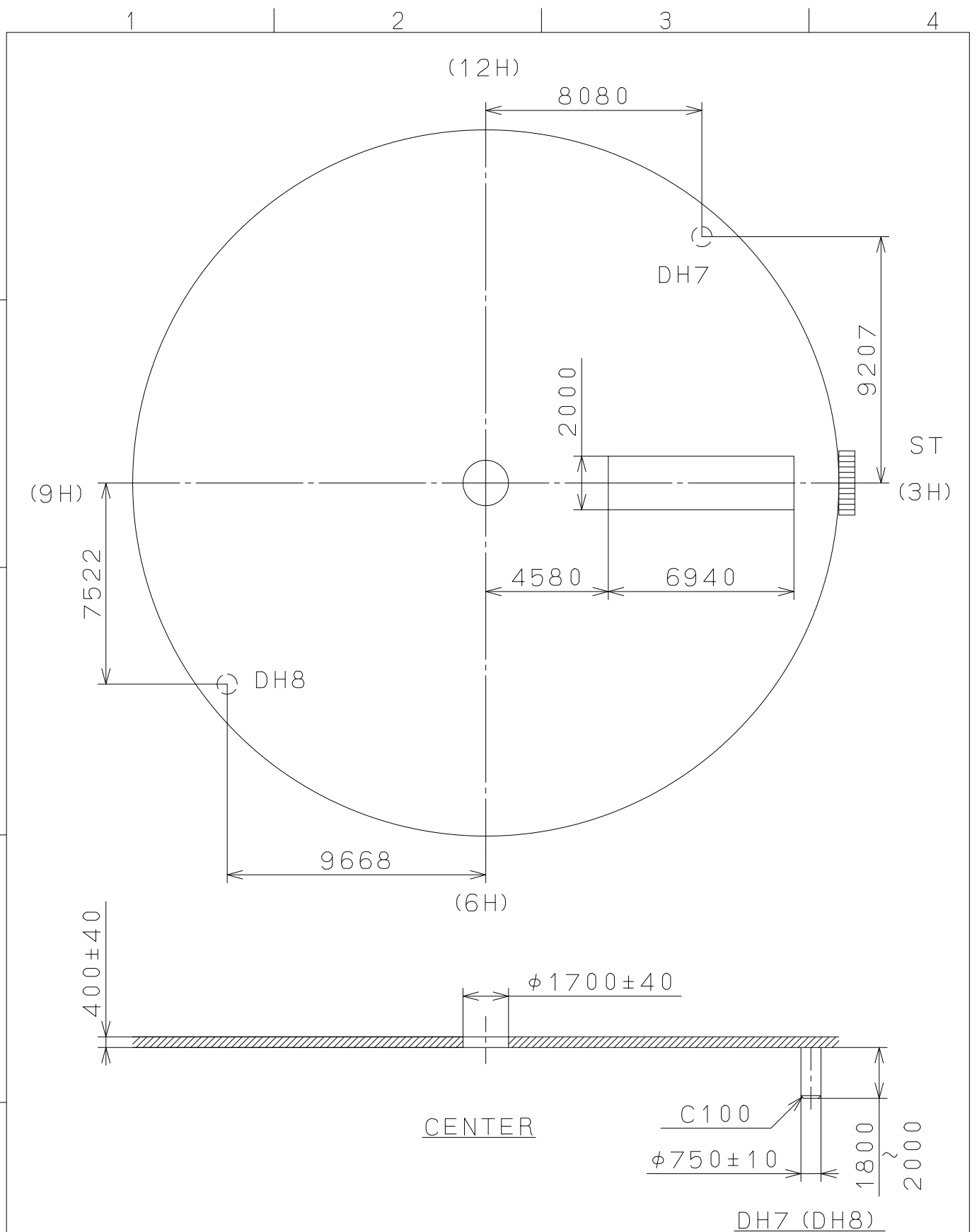
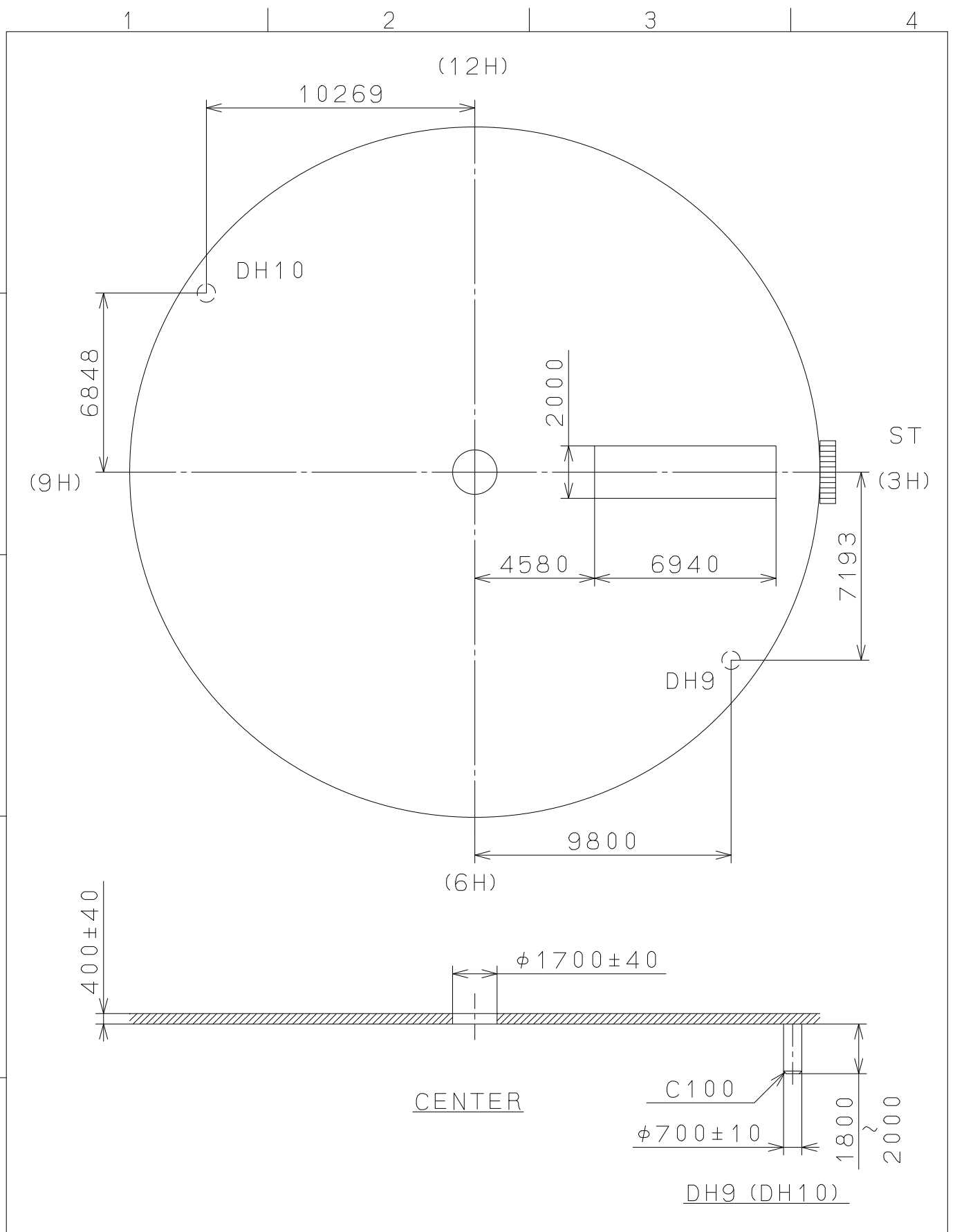


This drawing is provisional and subject to our reconfirmation and/or revision without notice.



△			Quantity		Cal.NO.:	
△			Unit	1 / 1000 <sub>mm</sub>		2305-2PW
△			Scale	5 : 1	Parts No.:	
△			Date			
△			Drawn			
Mark	Date	Description	Appr.	Checked	D. Yamada	Name:
Alterations			Approved			Indications for Dial
Material						Drawing No.: 230516D0
Heat Treatment						<div style="text-align: center;"> <h1>MIYOTA</h1> <p>CITIZEN WATCH CO., LTD. TOKYO, JAPAN</p> </div>
Hardness						
Plating						

This drawing is provisional and subject to our reconfirmation and/or revision without notice.



△			Quantity		Cal.NO.:
△			Unit	1 / 1000 <sub>mm</sub>	2305-2PW
△			Scale	5 : 1	Parts No.:
△			Date		
△			Drawn		
Mark	Date	Description	Appr.	Checked	Name:
		Alterations	Approved	D. Yamada	
Material					Indications for Dial
Heat Treatment					Drawing No.: 230517D0
Hardness			General Tolerances		<b>MIYOTA</b>
Plating			Dimensions		
			Angles		CITIZEN WATCH CO., LTD. TOKYO, JAPAN